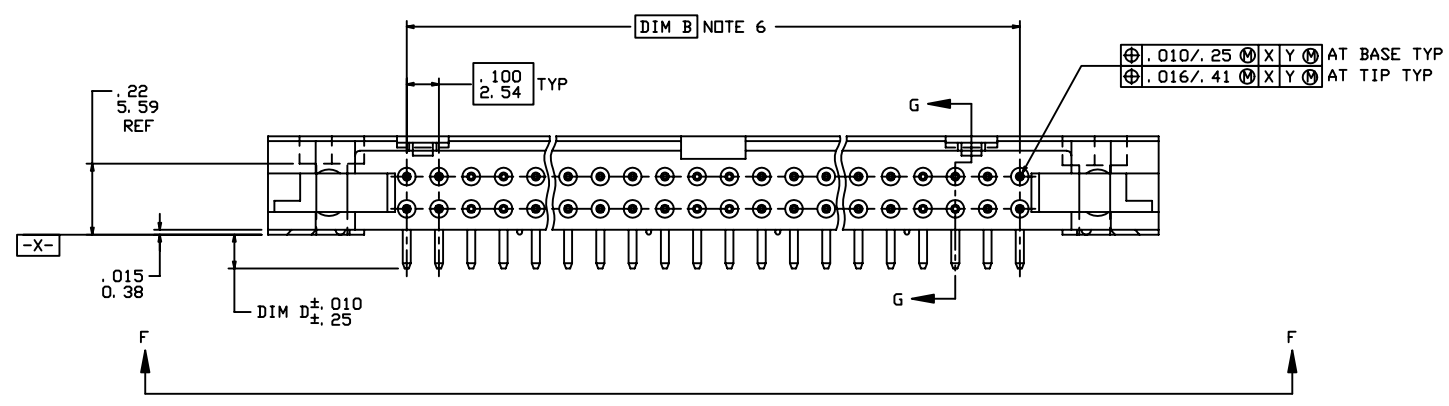
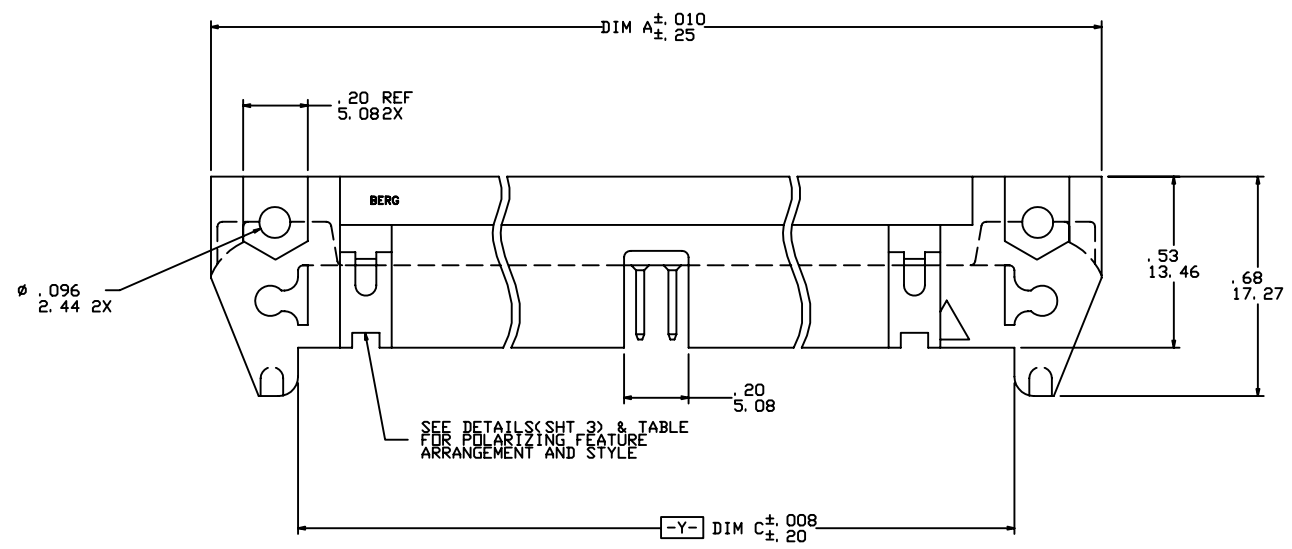


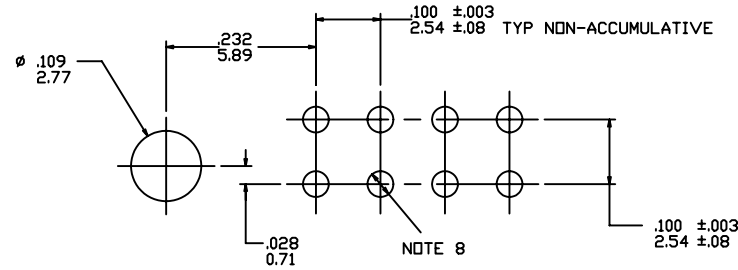
Tous droits strictement reserves. Reproduction ou communication a des tiers interitee sous quelque forme que ce soit sans autorisation ecrite du proprietaire. Propriete de c FCI. Droits de reproduction FCI.



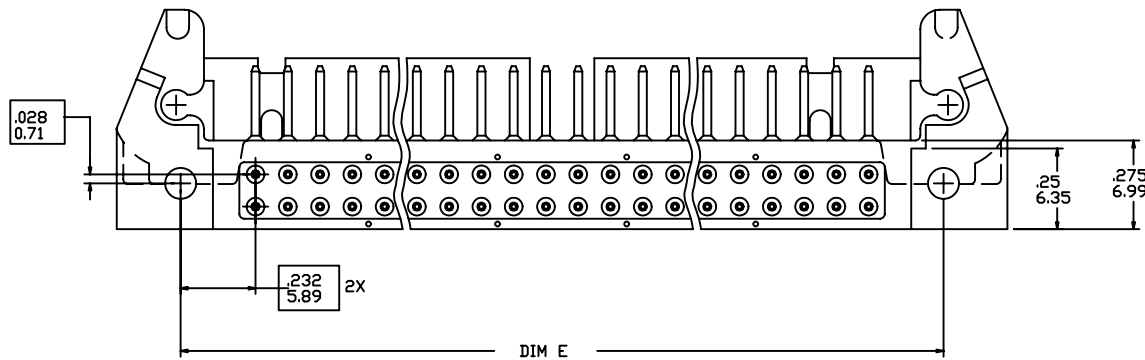
All rights strictly reserved. Reproduction or issue to third parties in any form whatever is not permitted without written authority from the proprietor. Property of FCI. Copyright FCI.



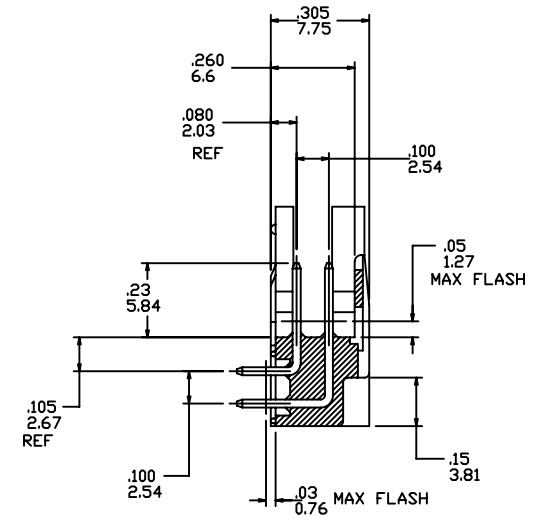
mat'l. code				tolerances unless otherwise specified				CUSTOMER COPY				FCI www.fciconnect.com								
ltr	ecn no	dr	date	linear	.XX±.01/.X±.3			projection	title HEADER, QUICKIE SEA, HORSE, RIGHT ANGLE											
AC	140002	LSS	07/22/94		.XXX±.005/.XX±.13															
AD	N05-0129	ZC	5/20/05	angles	.XXX±.0020/.XXX±.051			INCH/MM	product family QUICKIE											
AE	N05-0151	WG	7/31/07		0°±2°															
AF	N08-0175	R.B	2008/08/22	dr	J. SHREINER	1/16/90	scale 5:1	size A				code -								
				engr	M. SMYK	1/16/90														
				chr	M. SMYK	1/16/90														
				appd	M. SMYK	1/16/90														
AE	sheet index	revision sheet	AF AF	AF AF AF AF AF AF AF AF	AF AF AF AF AF AF AF AF	AF AF AF AF AF AF AF AF	AF AF AF AF AF AF AF AF	AF AF AF AF AF AF AF AF	AF AF AF AF AF AF AF AF	AF AF AF AF AF AF AF AF	AF AF AF AF AF AF AF AF	AF AF AF AF AF AF AF AF	AF AF AF AF AF AF AF AF	AF AF AF AF AF AF AF AF	AF AF AF AF AF AF AF AF	AF AF AF AF AF AF AF AF	AF AF AF AF AF AF AF AF	AF AF AF AF AF AF AF AF	AF AF AF AF AF AF AF AF	AF AF AF AF AF AF AF AF
21			1 2	3 4 5 6 7 8 9 10 11 12 13 14 15 16 17 18 19 20	sheet 1 of 21															



RECOMMENDED HOLE PATTERN  
SCALE 10:1



VIEW F-F



SECTION G-G  
ROTATED 90°CW

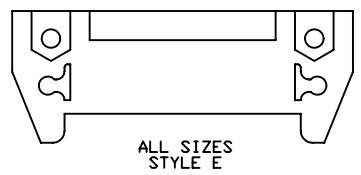
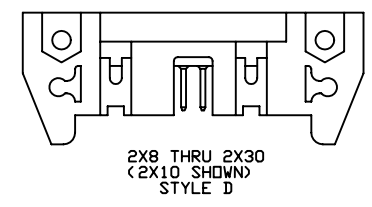
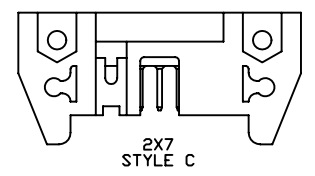
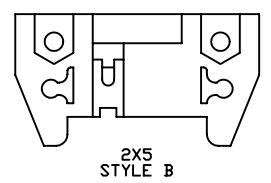
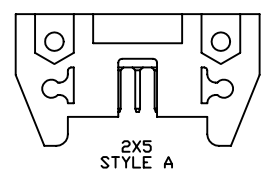
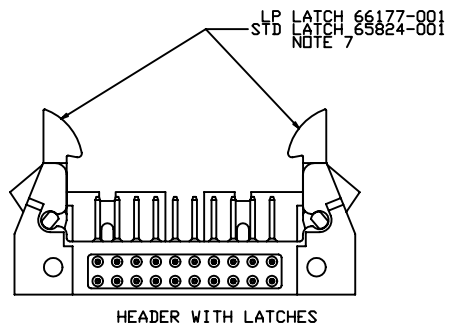
mat'l. code				tolerances unless otherwise specified		CUSTOMER COPY	FCI www.fciconnect.com			
ltr	ecn no	dr	date	linear	.XX±.01/.X±.3	projection	title			
AF					.XXX±.005/.XX±.13			HEADER, QUICKIE		
				angles	.XXX±.0020/.XXX±.051	INCH/MM		SEA, HORSE, RIGHT ANGLE		
				dr	0°±2°		scale	product family	code	
				enr	J. SHREINER 1/16/90	5:1		size	—	
				chr	M. SMYK 1/16/90			A	65823	sheet
				appd	M. SMYK 1/16/90				2 of 21	

sheet index	revision sheet																		
21																			

Tous droits strictement reserves. Reproduction ou communication a des tiers interdite sous quelque forme que ce soit sans autorisation ecrite du proprietaire. Propriete de c FCI. Droits de reproduction FCI.



All rights strictly reserved. Reproduction or issue to third parties in any form whatever is not permitted without written authority from the proprietor. Property of FCI. Copyright FCI.



NOTES:

1. RECOMMENDED MOUNTING SCREW SIZE: #2-56 FILLISTER HD MACH SCREW, 3/8" LG FOR 1/16" & 3/32" BOARD, 7/16" LG FOR 1/8" BOARD.
- ② MOLDING MAT'L: 30% GLASS FILLED POLYESTER, FLAME RETARDANT PER UL-94V-0, COLOR: BLUE.
- ③ PIN MAT'L: 3/4 HARD PHOS BRONZE ALLDY UNS C-51000.
4. 1° MAX DRAFT PERMISSIBLE ON ALL SURFACES UNLESS OTHERWISE SPECIFIED.
5. PLATING ON LEAD-IN PORTION OF PIN IS MANUFACTURING OPTION.
- ⑥ **B** BASIC DIM SHALL BE LOCATED SYMMETRICAL TO DATUM -Y-.
- ⑦ LOW PROFILE LATCHES TO BE USED WITH FEMALE CONNECTOR WITHOUT STRAIN RELIEF. STANDARD LATCHES TO BE USED WITH FEMALE CONNECTOR WITH STRAIN RELIEF.
- ⑧ .040±.003/1.02±.08 DIA HOLE TYP FOR SQ PINS, .035±.003/.89±.08 DIA HOLE TYP FOR RND PINS.
9. A. RETENTION FEATURE AVAILABLE ON CONNECTORS WITH .105/2.67, .120/3.05, OR .150/3.81 TAIL LENGTH. RETENTION P/N INCLUDES THE LETTER "R" AFTER THE EXISTING P/N.  
EXAMPLE: 65823-XXX FOR EXISTING P/N  
65823-XXXR FOR RETENTION P/N  
RETENTION FEATURE LOCATION IS MANUFACTURERS OPTION.  
B. ROUND PINS HAVE 15 LBS/6.8 KGS MAX INSERTION AND .25 LB/.1 KG MIN RETENTION FORCE WHEN USED IN .035±.003/.89±.08 DIA HOLES AND .062/1.57 THICK PC BOARD.  
C. SQUARE PINS HAVE A 15 LBS/6.8 KG MAX INSERTION AND .5 LB/.2 KG MIN RETENTION FORCE WHEN USED IN .040±.003/1.02±.08 DIA HOLES AND .062/1.57 THICK PC BOARD.
10. 65496-\*\*\*LF IS JUST A LEAD FREE PRODUCT.
11. THE HOUSING OF XXXX-XYLFF WILL WITHSTAND EXPOSURE TO 260°C PEAK TEMPERATURE FOR 10 SECONDS IN A WAVE SOLDER PROCESS.
12. PLATING OPTION: MAYBE EITHER GOLD OR GXT PLATING AT MANUFACTURER'S OPTION .

mat'l. code		tolerances unless otherwise specified		CUSTOMER COPY	 www.fciconnect.com
ltr	ecn no	dr	date	linear	
AF				.XX±.01/.X±.3	projection
				.XXX±.005/.XX±.13	
				.XXX±.0020/.XXX±.051	
				angles	INCH/MM
				0°±2'	product family
				dr J. SHREINER 1/16/90	QUICKIE
				enr M. SMYK 1/16/90	code
				chr M. SMYK 1/16/90	size
				appd M. SMYK 1/16/90	dwg no
				scale	65823
				5:1	sheet
					3 of 21

sheet index	revision sheet
21	

Tous droits strictement reserves. Reproduction ou communication a des tiers interdite sous quelque forme que ce soit sans autorisation ecrite du proprietaire. Propriete de c FCI. Droits de reproduction FCI.



All rights strictly reserved. Reproduction or issue to third parties in any form whatever is not permitted without written authority from the proprietor. Property of FCI. Copyright FCI.

	SIZE	LATCHES NOTE 7	PIN SHAPE	DIM A	DIM B	DIM C	DIM D	DIM E	TERMINAL PLATING NOTE 12	STYLE
65823-001(LF)	2x5	ND	RND	1.260/32.00	.400/10.16	.720/18.29	.105/2.67	.86/21.8	30u" / .76 Au OVER 50u" / 1.27uNi	A
-002(LF)			SQ				.105/2.67		150u" / 3.81u Sn	
-003(LF)			RND				.150/3.81		30u" / .76 Au OVER 50u" / 1.27uNi	
-004(LF)			SQ				.150/3.81		150u" / 3.81u Sn	
-005(LF)			SQ				.675/17.15		30u" / .76 Au OVER 50u" / 1.27uNi	
-006(LF)	2x5		SQ	1.260/32.00	.400/10.16	.720/18.29	.675/17.15	.86/21.8	150u" / 3.81u Sn	A
-007(LF)	2x7		RND	1.460/37.08	.600/15.24	.920/23.37	.105/2.67	1.06/26.9	30u" / .76 Au OVER 50u" / 1.27uNi	C
-008(LF)			SQ				.105/2.67		150u" / 3.81u Sn	
-009(LF)			RND				.150/3.81		30u" / .76 Au OVER 50u" / 1.27uNi	
-010(LF)			SQ				.150/3.81		150u" / 3.81u Sn	
-011(LF)			SQ				.675/17.15		30u" / .76 Au OVER 50u" / 1.27uNi	
-012(LF)	2x7		SQ	1.460/37.08	.600/15.24	.920/23.37	.675/17.15	1.06/26.9	150u" / 3.81u Sn	C
-013(LF)	2x8		RND	1.560/39.62	.700/17.78	1.020/25.91	.105/2.67	1.16/29.4	30u" / .76 Au OVER 50u" / 1.27uNi	D
-014(LF)			SQ				.105/2.67		150u" / 3.81u Sn	
-015(LF)			RND				.150/3.81		30u" / .76 Au OVER 50u" / 1.27uNi	
-016(LF)			SQ				.150/3.81		150u" / 3.81u Sn	
-017(LF)			SQ				.675/17.15		30u" / .76 Au OVER 50u" / 1.27uNi	
-018(LF)	2x8		SQ	1.560/39.62	.700/17.78	1.020/25.91	.675/17.15	1.16/29.4	150u" / 3.81u Sn	
-019(LF)	2x10		RND	1.760/44.70	.900/22.86	1.220/30.99	.105/2.67	1.36/34.5	30u" / .76 Au OVER 50u" / 1.27uNi	
-020(LF)			SQ				.105/2.67		150u" / 3.81u Sn	
-021(LF)			RND				.150/3.81		30u" / .76 Au OVER 50u" / 1.27uNi	
-022(LF)			SQ				.150/3.81		150u" / 3.81u Sn	
-023(LF)			SQ				.675/17.15		30u" / .76 Au OVER 50u" / 1.27uNi	
-024(LF)	2x10		SQ	1.760/44.70	.900/22.86	1.220/30.99	.675/17.15	1.36/34.5	150u" / 3.81u Sn	
-025(LF)	2x13		RND	2.060/52.32	1.200/30.48	1.520/38.61	.105/2.67	1.66/42.1	30u" / .76 Au OVER 50u" / 1.27uNi	
-026(LF)			SQ				.105/2.67		150u" / 3.81u Sn	
-027(LF)			RND				.150/3.81		30u" / .76 Au OVER 50u" / 1.27uNi	
-028(LF)			SQ				.150/3.81		150u" / 3.81u Sn	
-029(LF)			SQ				.675/17.15		30u" / .76 Au OVER 50u" / 1.27uNi	
-030(LF)	2x13		SQ	2.060/52.32	1.200/30.48	1.520/38.61	.675/17.15	1.66/42.1	150u" / 3.81u Sn	
-031(LF)	2x17		RND	2.460/62.48	1.600/40.64	1.920/48.77	.105/2.67	2.06/52.3	30u" / .76 Au OVER 50u" / 1.27uNi	
-032(LF)			SQ				.105/2.67		150u" / 3.81u Sn	
-033(LF)			RND				.150/3.81		30u" / .76 Au OVER 50u" / 1.27uNi	
-034(LF)			SQ				.150/3.81		150u" / 3.81u Sn	
-035(LF)			SQ				.675/17.15		30u" / .76 Au OVER 50u" / 1.27uNi	
65823-036(LF)	2x17	ND	SQ	2.460/62.48	1.600/40.64	1.920/48.77	.675/17.15	2.06/52.3	150u" / 3.81u Sn	D

mat'l. code		tolerances unless otherwise specified		CUSTOMER COPY	 www.fciconnect.com
ltr	ecn no	dr	date	linear	
AF				linear	projection
				angles	
				dr	J. SHREINER 1/16/90
				engr	M. SMYK 1/16/90
				chr	M. SMYK 1/16/90
				appd	M. SMYK 1/16/90
					INCH/MM
					scale
					5:1
sheet index	revision sheet				product family QUICKIE
21					size
					dwg no
					code
					-
					sheet
					4 of 21



	SIZE	LATCHES NOTE 7	PIN SHAPE	DIM A	DIM B	DIM C	DIM D	DIM E	TERMINAL PLATING NOTE 12	STYLE
65823-037(LF)	2x20	ND	RND	2.760/70.10	1.900/48.26	2.220/56.39	.105/2.67	2.36/59.9	30u"/.76u Au OVER 50u"/1.27u Ni	D
-038(LF)			SQ				.105/2.67		150u"/3.81u Sn	
-039(LF)			RND				.150/3.81		30u"/.76u Au OVER 50u"/1.27u Ni	
-040(LF)			SQ				.150/3.81		150u"/3.81u Sn	
-041(LF)			SQ				.675/17.15		30u"/.76u Au OVER 50u"/1.27u Ni	
-042(LF)	2x20		SQ	2.760/70.10	1.900/48.26	2.220/56.39	.675/17.15	2.36/59.9	150u"/3.81u Sn	
-043(LF)	2x25		RND	3.260/82.80	2.400/60.96	2.720/69.09	.105/2.67	2.86/72.6	30u"/.76u Au OVER 50u"/1.27u Ni	
-044(LF)			SQ				.105/2.67		150u"/3.81u Sn	
-045(LF)			RND				.150/3.81		30u"/.76u Au OVER 50u"/1.27u Ni	
-046(LF)			SQ				.150/3.81		150u"/3.81u Sn	
-047(LF)			SQ				.675/17.15		30u"/.76u Au OVER 50u"/1.27u Ni	
-048(LF)	2x25	ND	SQ	3.260/82.80	2.400/60.96	2.720/69.09	.675/17.15	2.86/72.6	150u"/3.81u Sn	D
-049(LF)	2x5	STD	RND	1.260/32.00	.400/10.16	.720/18.29	.105/2.67	.86/21.8	30u"/.76u Au OVER 50u"/1.27u Ni	A
-050(LF)			SQ				.105/2.67		150u"/3.81u Sn	
-051(LF)			RND				.150/3.81		30u"/.76u Au OVER 50u"/1.27u Ni	
-052(LF)			SQ				.150/3.81		150u"/3.81u Sn	
-053(LF)			SQ				.675/17.15		30u"/.76u Au OVER 50u"/1.27u Ni	
-054(LF)	2x5		SQ	1.260/32.00	.400/10.16	.720/18.29	.675/17.15	.86/21.8	150u"/3.81u Sn	A
-055(LF)	2x7		RND	1.460/37.08	.600/15.24	.920/23.37	.105/2.67	1.06/26.9	30u"/.76u Au OVER 50u"/1.27u Ni	C
-056(LF)			SQ				.105/2.67		150u"/3.81u Sn	
-057(LF)			RND				.150/3.81		30u"/.76u Au OVER 50u"/1.27u Ni	
-058(LF)			SQ				.150/3.81		150u"/3.81u Sn	
-059(LF)			SQ				.675/17.15		30u"/.76u Au OVER 50u"/1.27u Ni	
-060(LF)	2x7		SQ	1.460/37.08	.600/15.24	.920/23.37	.675/17.15	1.06/26.9	150u"/3.81u Sn	C
-061(LF)	2x8		RND	1.560/39.62	.700/17.78	1.020/25.91	.105/2.67	1.16/29.4	30u"/.76u Au OVER 50u"/1.27u Ni	D
-062(LF)			SQ				.105/2.67		150u"/3.81u Sn	
-063(LF)			RND				.150/3.81		30u"/.76u Au OVER 50u"/1.27u Ni	
-064(LF)			SQ				.150/3.81		150u"/3.81u Sn	
-065(LF)			SQ				.675/17.15		30u"/.76u Au OVER 50u"/1.27u Ni	
-066(LF)	2x8		SQ	1.560/39.62	.700/17.78	1.020/25.91	.675/17.15	1.16/29.4	150u"/3.81u Sn	
-067(LF)	2x10		RND	1.760/44.70	.900/22.86	1.220/30.99	.105/2.67	1.36/34.5	30u"/.76u Au OVER 50u"/1.27u Ni	
-068(LF)			SQ				.105/2.67		150u"/3.81u Sn	
-069(LF)			RND				.150/3.81		30u"/.76u Au OVER 50u"/1.27u Ni	
-070(LF)			SQ				.150/3.81		150u"/3.81u Sn	
-071(LF)			SQ				.675/17.15		30u"/.76u Au OVER 50u"/1.27u Ni	
65823-072(LF)	2x10	STD	SQ	1.760/44.70	.900/22.86	1.220/30.99	.675/17.15	1.36/34.5	150u"/3.81u Sn	D

mat'l. code				tolerances unless otherwise specified		CUSTOMER COPY	 www.fciconnect.com
ltr	ecn no	dr	date	linear	.XX±.01/.X±.3 .XXX±.005/.XX±.13 .XXXX±.0020/.XXX±.051	projection	
AF				angles	0°±2'	 INCH/MM	HEADER, QUICKIE SEA, HORSE, RIGHT ANGLE
				dr	J. SHREINER 1/16/90	product family	QUICKIE
				engr	M. SMYK 1/16/90	size	dwg no
				appd	M. SMYK 1/16/90	scale	5:1
				PDM-Rev:AF		Released	
				Printed: 3 Apr 12, 2011		sheet 5 of 21	

Tous droits strictement reserves. Reproduction ou communication a des tiers interdite sous quelque forme que ce soit sans autorisation écrite du propriétaire. Propriete de c FCI. Droits de reproduction FCI.

All rights strictly reserved. Reproduction or issue to third parties in any form whatever is not permitted without written authority from the proprietor. Property of FCI. Copyright FCI.



	SIZE	LATCHES NOTE 7	PIN SHAPE	DIM A	DIM B	DIM C	DIM D	DIM E	TERMINAL PLATING NOTE 12	STYLE
65823-073 (LF)	2x13	STD	RND	2.060/52.32	1.200/30.48	1.520/38.61	.105/2.67	1.66/42.1	30u" / .76u Au OVER 50u" / 1.27u Ni	D
-074 (LF)			SQ				.105/2.67		150u" / 3.81u" 1/27u Ni	
-075 (LF)			RND				.150/3.81		30u" / .76u Au OVER 50u" / 1.27u Ni	
-076 (LF)			SQ				.150/3.81		150u" / 3.81u" 1/27u Ni	
-077 (LF)			SQ				.675/17.15		30u" / .76u Au OVER 50u" / 1.27u Ni	
-078 (LF)	2x13		SQ	2.060/52.32	1.200/30.48	1.520/38.61	.675/17.15	1.66/42.1	150u" / 3.81u" 1/27u Ni	
-079 (LF)	2x17		RND	2.460/62.48	1.600/40.64	1.920/48.77	.105/2.67	2.06/52.3	30u" / .76u Au OVER 50u" / 1.27u Ni	
-080 (LF)			SQ				.105/2.67		150u" / 3.81u" 1/27u Ni	
-081 (LF)			RND				.150/3.81		30u" / .76u Au OVER 50u" / 1.27u Ni	
-082 (LF)			SQ				.150/3.81		150u" / 3.81u" 1/27u Ni	
-083 (LF)			SQ				.675/17.15		30u" / .76u Au OVER 50u" / 1.27u Ni	
-084 (LF)	2x17		SQ	2.460/62.48	1.600/40.64	1.920/48.77	.675/17.15	2.06/52.3	150u" / 3.81u" 1/27u Ni	
-085 (LF)	2x20		RND	2.760/70.10	1.900/48.26	2.220/56.39	.105/2.67	2.36/59.9	30u" / .76u Au OVER 50u" / 1.27u Ni	
-086 (LF)			SQ				.105/2.67		150u" / 3.81u" 1/27u Ni	
-087 (LF)			RND				.150/3.81		30u" / .76u Au OVER 50u" / 1.27u Ni	
-088 (LF)			SQ				.150/3.81		150u" / 3.81u" 1/27u Ni	
-089 (LF)			SQ				.675/17.15		30u" / .76u Au OVER 50u" / 1.27u Ni	
-090 (LF)	2x20		SQ	2.760/70.10	1.900/48.26	2.220/56.39	.675/17.15	2.36/59.9	150u" / 3.81u" 1/27u Ni	
-091 (LF)	2x25		RND	3.260/82.80	2.400/60.96	2.720/69.09	.105/2.67	2.86/72.6	30u" / .76u Au OVER 50u" / 1.27u Ni	
-092 (LF)			SQ				.105/2.67		150u" / 3.81u" 1/27u Ni	
-093 (LF)			RND				.150/3.81		30u" / .76u Au OVER 50u" / 1.27u Ni	
-094 (LF)			SQ				.150/3.81		150u" / 3.81u" 1/27u Ni	
-095 (LF)			SQ				.675/17.15		30u" / .76u Au OVER 50u" / 1.27u Ni	
-096 (LF)	2x25	STD	SQ	3.260/82.80	2.400/60.96	2.720/69.09	.675/17.15	2.86/72.6	150u" / 3.81u" 1/27u Ni	
-097 (LF)	2x30	ND	RND	3.760/95.50	2.900/73.66	3.220/81.79	.105/2.67	3.36/85.3	30u" / .76u Au OVER 50u" / 1.27u Ni	
-098 (LF)			SQ				.105/2.67		150u" / 3.81u" 1/27u Ni	
-099 (LF)			RND				.150/3.81		30u" / .76u Au OVER 50u" / 1.27u Ni	
-100 (LF)			SQ				.150/3.81		150u" / 3.81u" 1/27u Ni	
-101 (LF)			SQ				.675/17.15		30u" / .76u Au OVER 50u" / 1.27u Ni	
-102 (LF)		ND	SQ				.675/17.15		150u" / 3.81u" 1/27u Ni	
-103 (LF)		STD	RND				.105/2.67		30u" / .76u Au OVER 50u" / 1.27u Ni	
-104 (LF)			SQ				.105/2.67		150u" / 3.81u" 1/27u Ni	
-105 (LF)			RND				.150/3.81		30u" / .76u Au OVER 50u" / 1.27u Ni	
-106 (LF)			SQ				.150/3.81		150u" / 3.81u" 1/27u Ni	
-107 (LF)			SQ				.675/17.15		30u" / .76u Au OVER 50u" / 1.27u Ni	
65823-108 (LF)	2x30	STD	SQ	3.760/95.50	2.900/73.66	3.220/81.79	.675/17.15	3.36/85.3	150u" / 3.81u" 1/27u Ni	D

mat'l. code				tolerances unless otherwise specified				CUSTOMER COPY		 www.fciconnect.com	
ltr	ecn no	dr	date	linear	.XX±.01/.X±.3			projection	 title HEADER, QUICKIE SEA, HORSE, RIGHT ANGLE		
AF					.XXX±.005/.XX±.13						
					.XXX±.0020/.XXX±.051						
					angles	0°±2°					
					dr	J. SHREINER	1/16/90				
				enr	M. SMYK	1/16/90	INCH/MM		product family QUICKIE		
				chr	M. SMYK	1/16/90	←		code		
				appd	M. SMYK	1/16/90	→		size		
sheet index				revision sheet				scale		A	
21								5:1		65823	
										sheet 6 of 21	



	SIZE	LATCHES NOTE 7	PIN SHAPE	DIM A	DIM B	DIM C	DIM D	DIM E	TERMINAL PLATING NOTE 12	STYLE
65823-109(LF)	2x5	ND	SQ	1.260/32.00	.400/10.16	.720/18.29	.105/2.67	.86/21.8	30u"/.76u Au OVER 50u"/1.27u Ni	A
-110(LF)	2x7			1.460/37.08	.600/15.24	.920/23.37		1.06/26.9		C
-111(LF)	2x8			1.560/39.62	.700/17.78	1.020/25.91		1.16/29.4		D
-112(LF)	2x10			1.760/44.70	.900/22.86	1.220/30.99		1.36/34.5		
-113(LF)	2x13			2.060/52.32	1.200/30.48	1.520/38.61		1.66/42.1		
-114(LF)	2x17			2.460/62.48	1.600/40.64	1.920/48.77		2.06/52.3		
-115(LF)	2x20			2.760/70.10	1.900/48.26	2.220/56.39		2.36/59.9		
-116(LF)	2x25			3.260/82.80	2.400/60.96	2.720/69.09		2.86/72.6		
-117(LF)	2x30	ND		3.760/95.50	2.900/73.66	3.220/81.79		3.36/85.3		D
-118(LF)	2x5	STD		1.260/32.00	.400/10.16	.720/18.29		.86/21.8		A
-119(LF)	2x7			1.460/37.08	.600/15.24	.920/23.37		1.06/26.9		C
-120(LF)	2x8			1.560/39.62	.700/17.78	1.020/25.91		1.16/29.4		D
-121(LF)	2x10			1.760/44.70	.900/22.86	1.220/30.99		1.36/34.5		
-122(LF)	2x13			2.060/52.32	1.200/30.48	1.520/38.61		1.66/42.1		
-123(LF)	2x17			2.460/62.48	1.600/40.64	1.920/48.77		2.06/52.3		
-124(LF)	2x20			2.760/70.10	1.900/48.26	2.220/56.39		2.36/59.9		
-125(LF)	2x25			3.260/82.80	2.400/60.96	2.720/69.09		2.86/72.6		
-126(LF)	2x30	STD	SQ	3.760/95.50	2.900/73.66	3.220/81.79	.105/2.67	3.36/85.3	30u"/.76u Au OVER 50u"/1.27u Ni	D
-127(LF)	2x5	ND	RND	1.260/32.00	.400/10.16	.720/18.29	.150/3.81	.86/21.8	30u"/.76u GXT/GOLD FLASH	A
-128(LF)	2x7			1.460/37.08	.600/15.24	.920/23.37		1.06/26.9		C
-129(LF)	2x8			1.560/39.62	.700/17.78	1.020/25.91		1.16/29.4		D
-130(LF)	2x10			1.760/44.70	.900/22.86	1.220/30.99		1.36/34.5		
-131(LF)	2x13			2.060/52.32	1.200/30.48	1.520/38.61		1.66/42.1		
-132(LF)	2x17			2.460/62.48	1.600/40.64	1.920/48.77		2.06/52.3		
-133(LF)	2x20			2.760/70.10	1.900/48.26	2.220/56.39		2.36/59.9		
-134(LF)	2x25			3.260/82.80	2.400/60.96	2.720/69.09		2.86/72.6		
-135(LF)	2x30	ND		3.760/95.50	2.900/73.66	3.220/81.79		3.36/85.3		D
-136(LF)	2x5	STD		1.260/32.00	.400/10.16	.720/18.29		.86/21.8		A
-137(LF)	2x7			1.460/37.08	.600/15.24	.920/23.37		1.06/26.9		C
-138(LF)	2x8			1.560/39.62	.700/17.78	1.020/25.91		1.16/29.4		D
-139(LF)	2x10			1.760/44.70	.900/22.86	1.220/30.99		1.36/34.5		
-140(LF)	2x13			2.060/52.32	1.200/30.48	1.520/38.61		1.66/42.1		
-141(LF)	2x17			2.460/62.48	1.600/40.64	1.920/48.77		2.06/52.3		
-142(LF)	2x20			2.760/70.10	1.900/48.26	2.220/56.39		2.36/59.9		
-143(LF)	2x25			3.260/82.80	2.400/60.96	2.720/69.09		2.86/72.6		
65823-144(LF)	2x30	STD	RND	3.760/95.50	2.900/73.66	3.220/81.79	.150/3.81	3.36/85.3	30u"/.76u GXT/GOLD FLASH	D

mat'l. code		tolerances unless otherwise specified		CUSTOMER COPY		 www.fciconnect.com	
ltr	ecn no	dr	date	linear	.XX±.01/.X±.3	projection	
AF					.XXX±.005/.XX±.13		
				angles	0°±2°	INCH/MM	product family QUICKIE size dwg no
				dr	J. SHREINER 1/16/90		
				enr	M. SMYK 1/16/90		
				chr	M. SMYK 1/16/90		
				appd	M. SMYK 1/16/90		
sheet index	21	revision sheet					



	SIZE	LATCHES NOTE 7	PIN SHAPE	DIM A	DIM B	DIM C	DIM D	DIM E	TERMINAL PLATING NOTE 12	STYLE
65823-145 (LF)	2x5	LP	RND	1.260/32.00	.400/10.16	.720/18.29	.105/2.67	.86/21.8	30u" / .76u Au DVER 50u" / 1.27u Ni	A
-146 (LF)			SQ				.105/2.67		150u" / 3.81u Sn	
-147 (LF)			RND				.150/3.81		30u" / .76u Au DVER 50u" / 1.27u Ni	
-148 (LF)			SQ				.150/3.81		150u" / 3.81u Sn	
-149 (LF)			SQ				.675/17.15		30u" / .76u Au DVER 50u" / 1.27u Ni	
-150 (LF)	2x5		SQ	1.260/32.00	.400/10.16	.720/18.29	.675/17.15	.86/21.8	150u" / 3.81u Sn	A
-151 (LF)	2x7		RND	1.460/37.08	.600/15.24	.920/23.37	.105/2.67	1.06/26.9	30u" / .76u Au DVER 50u" / 1.27u Ni	C
-152 (LF)			SQ				.105/2.67		150u" / 3.81u Sn	
-153 (LF)			RND				.150/3.81		30u" / .76u Au DVER 50u" / 1.27u Ni	
-154 (LF)			SQ				.150/3.81		150u" / 3.81u Sn	
-155 (LF)			SQ				.675/17.15		30u" / .76u Au DVER 50u" / 1.27u Ni	
-156 (LF)	2x7		SQ	1.460/37.08	.600/15.24	.920/23.37	.675/17.15	1.06/26.9	150u" / 3.81u Sn	C
-157 (LF)	2x8		RND	1.560/39.62	.700/17.78	1.020/25.91	.105/2.67	1.16/29.4	30u" / .76u Au DVER 50u" / 1.27u Ni	D
-158 (LF)			SQ				.105/2.67		150u" / 3.81u Sn	
-159 (LF)			RND				.150/3.81		30u" / .76u Au DVER 50u" / 1.27u Ni	
-160 (LF)			SQ				.150/3.81		150u" / 3.81u Sn	
-161 (LF)			SQ				.675/17.15		30u" / .76u Au DVER 50u" / 1.27u Ni	
-162 (LF)	2x8		SQ	1.560/39.62	.700/17.78	1.020/25.91	.675/17.15	1.16/29.4	150u" / 3.81u Sn	
-163 (LF)	2x10		RND	1.760/44.70	.900/22.86	1.220/30.99	.105/2.67	1.36/34.5	30u" / .76u Au DVER 50u" / 1.27u Ni	
-164 (LF)			SQ				.105/2.67		150u" / 3.81u Sn	
-165 (LF)			RND				.150/3.81		30u" / .76u Au DVER 50u" / 1.27u Ni	
-166 (LF)			SQ				.150/3.81		150u" / 3.81u Sn	
-167 (LF)			SQ				.675/17.15		30u" / .76u Au DVER 50u" / 1.27u Ni	
-168 (LF)	2x10		SQ	1.760/44.70	.900/22.86	1.220/30.99	.675/17.15	1.36/34.5	150u" / 3.81u Sn	
-169 (LF)	2x13		RND	2.060/52.32	1.200/30.48	1.520/38.61	.105/2.67	1.66/42.1	30u" / .76u Au DVER 50u" / 1.27u Ni	
-170 (LF)			SQ				.105/2.67		150u" / 3.81u Sn	
-171 (LF)			RND				.150/3.81		30u" / .76u Au DVER 50u" / 1.27u Ni	
-172 (LF)			SQ				.150/3.81		150u" / 3.81u Sn	
-173 (LF)			SQ				.675/17.15		30u" / .76u Au DVER 50u" / 1.27u Ni	
-174 (LF)	2x13		SQ	2.060/52.32	1.200/30.48	1.520/38.61	.675/17.15	1.66/42.1	150u" / 3.81u Sn	
-175 (LF)	2x17		RND	2.460/62.48	1.600/40.64	1.920/48.77	.105/2.67	2.06/52.3	30u" / .76u Au DVER 50u" / 1.27u Ni	
-176 (LF)			SQ				.105/2.67		150u" / 3.81u Sn	
-177 (LF)			RND				.150/3.81		30u" / .76u Au DVER 50u" / 1.27u Ni	
-178 (LF)			SQ				.150/3.81		150u" / 3.81u Sn	
-179 (LF)			SQ				.675/17.15		30u" / .76u Au DVER 50u" / 1.27u Ni	
65823-180 (LF)	2x17	LP	SQ	2.460/62.48	1.600/40.64	1.920/48.77	.675/17.15	2.06/52.3	150u" / 3.81u Sn	D

mat'l. code				tolerances unless otherwise specified			CUSTOMER COPY		FCI www.fciconnect.com	
ltr	ecn no	dr	date	linear	.XX±.01/.X±.3		projection	title HEADER, QUICKIE SEA, HORSE, RIGHT ANGLE		
AF					.XXX±.005/.XX±.13					
					.XXX±.0020/.XXX±.051					
				angles	0°±2°		INCH/MM	product family		code
				dr	J. SHREINER	1/16/90		QUICKIE		-
				enr	M. SMYK	1/16/90		sizer		dwg no
				chr	M. SMYK	1/16/90		A		65823
				appd	M. SMYK	1/16/90	scale	5:1		sheet
										8 of 21
	sheet index	revision sheet								
	21									



Tous droits strictement reserves. Reproduction ou communication a des tiers interdite sous quelque forme que ce soit sans autorisation ecrite du proprietaire. Propriete de c FCI. Droits de reproduction FCI.



All rights strictly reserved. Reproduction or issue to third parties in any form whatever is not permitted without written authority from the proprietor. Property of FCI. Copyright FCI.

	SIZE	LATCHES NOTE 7	PIN SHAPE	DIM A	DIM B	DIM C	DIM D	DIM E	TERMINAL PLATING NOTE 12	STYLE
65823-181(LF)	2x20	LP	RND	2.760/70.10	1.900/48.26	2.220/56.39	.105/2.67	2.36/59.9	30u"/.76u DVER 50u"/1.27u Ni	D
-182(LF)			SQ				.105/2.67		150u"/3.81u Sn	
-183(LF)			RND				.150/3.81		30u"/.76u DVER 50u"/1.27u Ni	
-184(LF)			SQ				.150/3.81		150u"/3.81u Sn	
-185(LF)			SQ				.675/17.15		30u"/.76u DVER 50u"/1.27u Ni	
-186(LF)	2x20		SQ	2.760/70.10	1.900/48.26	2.220/56.39	.675/17.15	2.36/59.9	150u"/3.81u Sn	
-187(LF)	2x25		RND	3.260/82.80	2.400/60.96	2.720/69.09	.105/2.67	2.86/72.6	30u"/.76u DVER 50u"/1.27u Ni	
-188(LF)			SQ				.105/2.67		150u"/3.81u Sn	
-189(LF)			RND				.150/3.81		30u"/.76u DVER 50u"/1.27u Ni	
-190(LF)			SQ				.150/3.81		150u"/3.81u Sn	
-191(LF)			SQ				.675/17.15		30u"/.76u DVER 50u"/1.27u Ni	
-192(LF)	2x25		SQ	3.260/82.80	2.400/60.96	2.720/69.09	.675/17.15	2.86/72.6	150u"/3.81u Sn	
-193(LF)	2x30		RND	3.760/95.50	2.900/73.66	3.220/81.79	.105/2.67	3.36/85.3	30u"/.76u DVER 50u"/1.27u Ni	
-194(LF)			SQ				.105/2.67		150u"/3.81u Sn	
-195(LF)			RND				.150/3.81		30u"/.76u DVER 50u"/1.27u Ni	
-196(LF)			SQ				.150/3.81		150u"/3.81u Sn	
-197(LF)			SQ				.675/17.15		30u"/.76u DVER 50u"/1.27u Ni	
-198(LF)	2x30			3.760/95.50	2.900/73.66	3.220/81.79	.675/17.15	3.36/85.3	150u"/3.81u Sn	D
-199(LF)	2x5			1.260/32.00	.400/10.16	.720/18.29	.105/2.67	.86/21.8	30u"/.76u DVER 50u"/1.27u Ni	A
-200(LF)	2x7			1.460/37.08	.600/15.24	.920/23.37		1.06/26.9		C
-201(LF)	2x8			1.560/39.62	.700/17.78	1.020/25.91		1.16/29.4		D
-202(LF)	2x10			1.760/44.70	.900/22.86	1.220/30.99		1.36/34.5		
-203(LF)	2x13			2.060/52.32	1.200/30.48	1.520/38.61		1.66/42.1		
-204(LF)	2x17			2.460/62.48	1.600/40.64	1.920/48.77		2.06/52.3		
-205(LF)	2x20			2.760/70.10	1.900/48.26	2.220/56.39		2.36/59.9		
-206(LF)	2x25			3.260/82.80	2.400/60.96	2.720/69.09		2.86/72.6		
-207(LF)	2x30		SQ	3.760/95.50	2.900/73.66	3.220/81.79	.105/2.67	3.36/85.3	30u"/.76u DVER 50u"/1.27u Ni	D
-208(LF)	2x5		RND	1.260/32.00	.400/10.16	.720/18.29	.150/3.81	.86/21.8	30u"/.76u GXT/GOLD FLASH	A
-209(LF)	2x7			1.460/37.08	.600/15.24	.920/23.37		1.06/26.9		C
-210(LF)	2x8			1.560/39.62	.700/17.78	1.020/25.91		1.16/29.4		D
-211(LF)	2x10			1.760/44.70	.900/22.86	1.220/30.99		1.36/34.5		
-212(LF)	2x13			2.060/52.32	1.200/30.48	1.520/38.61		1.66/42.1		
-213(LF)	2x17			2.460/62.48	1.600/40.64	1.920/48.77		2.06/52.3		
-214(LF)	2x20			2.760/70.10	1.900/48.26	2.220/56.39		2.36/59.9		
-215(LF)	2x25			3.260/82.80	2.400/60.96	2.720/69.09		2.86/72.6		
65823-216(LF)	2x30	LP	RND	3.760/95.50	2.900/73.66	3.220/81.79	.150/3.81	3.36/85.3	30u"/.76u GXT/GOLD FLASH	D

mat'l. code				tolerances unless otherwise specified				CUSTOMER COPY		FCI www.fciconnect.com	
ltr	ecn no	dr	date	linear	.XX±.01/.X±.3			projection	title		
AF					.XXX±.005/.XX±.13				HEADER, QUICKIE		
					.XXX±.0020/.XXX±.051				SEA, HORSE, RIGHT ANGLE		
				angles	0°±2°			INCH/MM	product family		code
				dr	J. SHREINER	1/16/90	QUICKIE		-		
				enrg	M. SMYK	1/16/90	size1 dwg no				
				chr	M. SMYK	1/16/90	A		sheet		
				appd	M. SMYK	1/16/90	scale	65823		9 of 21	
	sheet index	revision sheet									
21											

Tous droits strictement reserves. Reproduction ou communication a des tiers interalite sous quelle forme que ce soit sans autorisation ecrite du propriétaire. Propriete de c FCI. Droits de reproduction FCI.



All rights strictly reserved. Reproduction or issue to third parties in any form whatever is not permitted without written authority from the proprietor. Property of FCI. Copyright FCI.

	SIZE	LATCHES NOTE 7	PIN SHAPE	DIM A	DIM B	DIM C	DIM D	DIM E	TERMINAL PLATING NOTE 12	STYLE
65823-217(LF)	2x5	ND	RND	1.260/32.00	.400/10.16	.720/18.29	.105/2.67	.86/21.8	30u" / .76u GXT/GOLD FLASH	A
-218(LF)	2x7			1.460/37.08	.600/15.24	.920/23.37		1.06/26.9		C
-219(LF)	2x8			1.560/39.62	.700/17.78	1.020/25.91		1.16/29.4		D
-220(LF)	2x10			1.760/44.70	.900/22.86	1.220/30.99		1.36/34.5		
-221(LF)	2x13			2.060/52.32	1.200/30.48	1.520/38.61		1.66/42.1		
-222(LF)	2x17			2.460/62.48	1.600/40.64	1.920/48.77		2.06/52.3		
-223(LF)	2x20			2.760/70.10	1.900/48.26	2.220/56.39		2.36/59.9		
-224(LF)	2x25			3.260/82.80	2.400/60.96	2.720/69.09		2.86/72.6		
-225(LF)	2x30		RND	3.760/95.50	2.900/73.66	3.220/81.79	.105/2.67	3.36/85.3		D
-226(LF)	2x5		SQ	1.260/32.00	.400/10.16	.720/18.29	.675/17.15	.86/21.8		A
-227(LF)	2x7			1.460/37.08	.600/15.24	.920/23.37		1.06/26.9		C
-228(LF)	2x8			1.560/39.62	.700/17.78	1.020/25.91		1.16/29.4		D
-229(LF)	2x10			1.760/44.70	.900/22.86	1.220/30.99		1.36/34.5		
-230(LF)	2x13			2.060/52.32	1.200/30.48	1.520/38.61		1.66/42.1		
-231(LF)	2x17			2.460/62.48	1.600/40.64	1.920/48.77		2.06/52.3		
-232(LF)	2x20			2.760/70.10	1.900/48.26	2.220/56.39		2.36/59.9		
-233(LF)	2x25			3.260/82.80	2.400/60.96	2.720/69.09		2.86/72.6		
-234(LF)	2x30	ND	SQ	3.760/95.50	2.900/73.66	3.220/81.79	.675/17.15	3.36/85.3		D
-235(LF)	2x5	STD	RND	1.260/32.00	.400/10.16	.720/18.29	.105/2.67	.86/21.8		A
-236(LF)	2x7			1.460/37.08	.600/15.24	.920/23.37		1.06/26.9		C
-237(LF)	2x8			1.560/39.62	.700/17.78	1.020/25.91		1.16/29.4		D
-238(LF)	2x10			1.760/44.70	.900/22.86	1.220/30.99		1.36/34.5		
-239(LF)	2x13			2.060/52.32	1.200/30.48	1.520/38.61		1.66/42.1		
-240(LF)	2x17			2.460/62.48	1.600/40.64	1.920/48.77		2.06/52.3		
-241(LF)	2x20			2.760/70.10	1.900/48.26	2.220/56.39		2.36/59.9		
-242(LF)	2x25			3.260/82.80	2.400/60.96	2.720/69.09		2.86/72.6		
-243(LF)	2x30		RND	3.760/95.50	2.900/73.66	3.220/81.79	.105/2.67	3.36/85.3		D
-244(LF)	2x5		SQ	1.260/32.00	.400/10.16	.720/18.29	.150/3.81	.86/21.8		A
-245(LF)	2x7			1.460/37.08	.600/15.24	.920/23.37		1.06/26.9		C
-246(LF)	2x8			1.560/39.62	.700/17.78	1.020/25.91		1.16/29.4		D
-247(LF)	2x10			1.760/44.70	.900/22.86	1.220/30.99		1.36/34.5		
-248(LF)	2x13			2.060/52.32	1.200/30.48	1.520/38.61		1.66/42.1		
-249(LF)	2x17			2.460/62.48	1.600/40.64	1.920/48.77		2.06/52.3		
-250(LF)	2x20			2.760/70.10	1.900/48.26	2.220/56.39		2.36/59.9		
-251(LF)	2x25			3.260/82.80	2.400/60.96	2.720/69.09		2.86/72.6		
65823-252(LF)	2x30	STD	SQ	3.760/95.50	2.900/73.66	3.220/81.79	.150/3.81	3.36/85.3	30u" / .76u GXT/GOLD FLASH	D

mat'l. code		tolerances unless otherwise specified		CUSTOMER COPY		 www.fciconnect.com	
ltr	ecn no	dr	date	linear	.XX±.01/.X±.3	projection	
AF							
				angles	0°±2'	INCH/MM	product family QUICKIE
				dr	J. SHREINER 1/16/90		
				enr	M. SMYK 1/16/90	5:1	dwg no
				chr	M. SMYK 1/16/90		
				appd	M. SMYK 1/16/90	sheet	10 of 21
				sheet index	21		

Tous droits strictement reserves. Reproduction ou communication a des tiers interdite sous quelque forme que ce soit sans autorisation ecrite du propriétaire. Propriete de c FCI. Droits de reproduction FCI.



All rights strictly reserved. Reproduction or issue to third parties in any form whatever is not permitted without written authority from the proprietor. Property of FCI. Copyright FCI.

	SIZE	LATCHES NOTE 7	PIN SHAPE	DIM A	DIM B	DIM C	DIM D	DIM E	TERMINAL PLATING NOTE 12	STYLE
65823-253(LF)	2x5	LP	RND	1.260/32.00	.400/10.16	.720/18.29	.105/2.67	.86/21.8	30u"/.76u GXT/GOLD FLASH	A
-254(LF)	2x7			1.460/37.08	.600/15.24	.920/23.37		1.06/26.9		C
-255(LF)	2x8			1.560/39.62	.700/17.78	1.020/25.91		1.16/29.4		D
-256(LF)	2x10			1.760/44.70	.900/22.86	1.220/30.99		1.36/34.5		
-257(LF)	2x13			2.060/52.32	1.200/30.48	1.520/38.61		1.66/42.1		
-258(LF)	2x17			2.460/62.48	1.600/40.64	1.920/48.77		2.06/52.3		
-259(LF)	2x20			2.760/70.10	1.900/48.26	2.220/56.39		2.36/59.9		
-260(LF)	2x25			3.260/82.80	2.400/60.96	2.720/69.09		2.86/72.6		
-261(LF)	2x30		RND	3.760/95.50	2.900/73.66	3.220/81.79	.105/2.67	3.36/85.3		D
-262(LF)	2x5		SQ	1.260/32.00	.400/10.16	.720/18.29	.675/17.15	.86/21.8		A
-263(LF)	2x7			1.460/37.08	.600/15.24	.920/23.37		1.06/26.9		C
-264(LF)	2x8			1.560/39.62	.700/17.78	1.020/25.91		1.16/29.4		D
-265(LF)	2x10			1.760/44.70	.900/22.86	1.220/30.99		1.36/34.5		
-266(LF)	2x13			2.060/52.32	1.200/30.48	1.520/38.61		1.66/42.1		
-267(LF)	2x17			2.460/62.48	1.600/40.64	1.920/48.77		2.06/52.3		
-268(LF)	2x20			2.760/70.10	1.900/48.26	2.220/56.39		2.36/59.9		
-269(LF)	2x25			3.260/82.80	2.400/60.96	2.720/69.09		2.86/72.6		
-270(LF)	2x30	LP	SQ	3.760/95.50	2.900/73.66	3.220/81.79	.675/17.15	3.36/85.3	30u"/.76u GXT/GOLD FLASH	D
-271(LF)	2x5	ND	RND	1.260/32.00	.400/10.16	.720/18.29	.105/2.67	.86/21.8	15u"/.38u Au OVER 50u"/1.27u Ni	A
-272(LF)	2x7			1.460/37.08	.600/15.24	.920/23.37		1.06/26.9		C
-273(LF)	2x8			1.560/39.62	.700/17.78	1.020/25.91		1.16/29.4		D
-274(LF)	2x10			1.760/44.70	.900/22.86	1.220/30.99		1.36/34.5		
-275(LF)	2x13			2.060/52.32	1.200/30.48	1.520/38.61		1.66/42.1		
-276(LF)	2x17			2.460/62.48	1.600/40.64	1.920/48.77		2.06/52.3		
-277(LF)	2x20			2.760/70.10	1.900/48.26	2.220/56.39		2.36/59.9		
-278(LF)	2x25			3.260/82.80	2.400/60.96	2.720/69.09		2.86/72.6		
-279(LF)	2x30			3.760/95.50	2.900/73.66	3.220/81.79	.105/2.67	3.36/85.3		D
-280(LF)	2x5			1.260/32.00	.400/10.16	.720/18.29	.150/3.81	.86/21.8		A
-281(LF)	2x7			1.460/37.08	.600/15.24	.920/23.37		1.06/26.9		C
-282(LF)	2x8			1.560/39.62	.700/17.78	1.020/25.91		1.16/29.4		D
-283(LF)	2x10			1.760/44.70	.900/22.86	1.220/30.99		1.36/34.5		
-284(LF)	2x13			2.060/52.32	1.200/30.48	1.520/38.61		1.66/42.1		
-285(LF)	2x17			2.460/62.48	1.600/40.64	1.920/48.77		2.06/52.3		
-286(LF)	2x20			2.760/70.10	1.900/48.26	2.220/56.39		2.36/59.9		
-287(LF)	2x25			3.260/82.80	2.400/60.96	2.720/69.09		2.86/72.6		
65823-288(LF)	2x30	ND	RND	3.760/95.50	2.900/73.66	3.220/81.79	.150/3.81	3.36/85.3	15u"/.38u Au OVER 50u"/1.27u Ni	D

mat'l. code				tolerances unless otherwise specified				CUSTOMER COPY		 www.fciconnect.com				
ltr	ecn no	dr	date	linear	.XX±.01/.X±.3			projection	 INCH/MM		title			
AF					.XXX±.005/.XX±.13						HEADER, QUICKIE			
					.XXX±.0020/.XXX±.051						SEA, HORSE, RIGHT ANGLE			
					angles	0°±2'					product family		code	
					dr	J. SHREINER	1/16/90				QUICKIE		-	
				enr	M. SMYK	1/16/90		size		dwg no				
				chr	M. SMYK	1/16/90		scale		sheet				
				appd	M. SMYK	1/16/90		5:1		11 of 21				
sheet index		revision sheet												
21														

Tous droits strictement reserves. Reproduction ou communication a des tiers interalite sous quelque forme que ce soit sans autorisation ecrite du proprietaire. Propriete de c FCI. Droits de reproduction FCI.



All rights strictly reserved. Reproduction or issue to third parties in any form whatever is not permitted without written authority from the proprietor. Property of FCI. Copyright FCI.

	SIZE	LATCHES NOTE 7	PIN SHAPE	DIM A	DIM B	DIM C	DIM D	DIM E	TERMINAL PLATING NOTE 12	STYLE
65823-289(LF)	2x5	ND	SQ	1.260/32.00	.400/10.16	.720/18.29	.105/2.67	.86/21.8	15u". 38u Au OVER 50u"/1.27u Ni	A
-290(LF)	2x7			1.460/37.08	.600/15.24	.920/23.37		1.06/26.9		C
-291(LF)	2x8			1.560/39.62	.700/17.78	1.020/25.91		1.16/29.4		D
-292(LF)	2x10			1.760/44.70	.900/22.86	1.220/30.99		1.36/34.5		
-293(LF)	2x13			2.060/52.32	1.200/30.48	1.520/38.61		1.66/42.1		
-294(LF)	2x17			2.460/62.48	1.600/40.64	1.920/48.77		2.06/52.3		
-295(LF)	2x20			2.760/70.10	1.900/48.26	2.220/56.39		2.36/59.9		
-296(LF)	2x25			3.260/82.80	2.400/60.96	2.720/69.09		2.86/72.6		
-297(LF)	2x30	ND	SQ	3.760/95.50	2.900/73.66	3.220/81.79	.105/2.67	3.36/85.3		D
-298(LF)	2x5	STD	RND	1.260/32.00	.400/10.16	.720/18.29	.675/17.15	.86/21.8		A
-299(LF)	2x7			1.460/37.08	.600/15.24	.920/23.37		1.06/26.9		C
-300(LF)	2x8			1.560/39.62	.700/17.78	1.020/25.91		1.16/29.4		D
-301(LF)	2x10			1.760/44.70	.900/22.86	1.220/30.99		1.36/34.5		
-302(LF)	2x13			2.060/52.32	1.200/30.48	1.520/38.61		1.66/42.1		
-303(LF)	2x17			2.460/62.48	1.600/40.64	1.920/48.77		2.06/52.3		
-304(LF)	2x20			2.760/70.10	1.900/48.26	2.220/56.39		2.36/59.9		
-305(LF)	2x25			3.260/82.80	2.400/60.96	2.720/69.09		2.86/72.6		
-306(LF)	2x30			3.760/95.50	2.900/73.66	3.220/81.79	.675/17.15	3.36/85.3		D
-307(LF)	2x5			1.260/32.00	.400/10.16	.720/18.29	.105/2.67	.86/21.8		A
-308(LF)	2x7			1.460/37.08	.600/15.24	.920/23.37		1.06/26.9		C
-309(LF)	2x8			1.560/39.62	.700/17.78	1.020/25.91		1.16/29.4		D
-310(LF)	2x10			1.760/44.70	.900/22.86	1.220/30.99		1.36/34.5		
-311(LF)	2x13			2.060/52.32	1.200/30.48	1.520/38.61		1.66/42.1		
-312(LF)	2x17			2.460/62.48	1.600/40.64	1.920/48.77		2.06/52.3		
-313(LF)	2x20			2.760/70.10	1.900/48.26	2.220/56.39		2.36/59.9		
-314(LF)	2x25			3.260/82.80	2.400/60.96	2.720/69.09		2.86/72.6		
-315(LF)	2x30		RND	3.760/95.50	2.900/73.66	3.220/81.79	.105/2.67	3.36/85.3		D
-316(LF)	2x5		SQ	1.260/32.00	.400/10.16	.720/18.29	.150/3.81	.86/21.8		A
-317(LF)	2x7			1.460/37.08	.600/15.24	.920/23.37		1.06/26.9		C
-318(LF)	2x8			1.560/39.62	.700/17.78	1.020/25.91		1.16/29.4		D
-319(LF)	2x10			1.760/44.70	.900/22.86	1.220/30.99		1.36/34.5		
-320(LF)	2x13			2.060/52.32	1.200/30.48	1.520/38.61		1.66/42.1		
-311(LF)	2x17			2.460/62.48	1.600/40.64	1.920/48.77		2.06/52.3		
-312(LF)	2x20			2.760/70.10	1.900/48.26	2.220/56.39		2.36/59.9		
-313(LF)	2x25			3.260/82.80	2.400/60.96	2.720/69.09		2.86/72.6		
65823-313(LF)	2x30	STD	SQ	3.760/95.50	2.900/73.66	3.220/81.79	.150/3.81	3.36/85.3	15u". 38u Au OVER 50u"/1.27u Ni	D

mat'l. code				tolerances unless otherwise specified				CUSTOMER COPY		FCI www.fciconnect.com		
ltr	ecn no	dr	date	linear	.XX±.01/.X±.3			projection 	title			
AF					.XXX±.005/.XX±.13				HEADER, QUICKIE			
					.XXX±.0020/.XXX±.051				SEA, HORSE, RIGHT ANGLE			
					angles	0°±2°			product family			
					dr	J. SHREINER	1/16/90		INCH/MM		QUICKIE	
				enr	M. SMYK	1/16/90	scale		code			
				chr	M. SMYK	1/16/90	5:1		-			
				appd	M. SMYK	1/16/90	A		sheet			
sheet index		revision sheet		size		dwg no		65823		12 of 21		
21												



	SIZE	LATCHES NOTE 7	PIN SHAPE	DIM A	DIM B	DIM C	DIM D	DIM E	TERMINAL PLATING NOTE 12	STYLE
65823-325 (LF)	2x5	LP	RND	1.260/32.00	.400/10.16	.720/18.29	.105/2.67	.86/21.8	15u"/.38u Au DVER 50u"/1.27u Ni	A
-326 (LF)	2x7			1.460/37.08	.600/15.24	.920/23.37		1.06/26.9		C
-327 (LF)	2x8			1.560/39.62	.700/17.78	1.020/25.91		1.16/29.4		D
-328 (LF)	2x10			1.760/44.70	.900/22.86	1.220/30.99		1.36/34.5		
-329 (LF)	2x13			2.060/52.32	1.200/30.48	1.520/38.61		1.66/42.1		
-330 (LF)	2x17			2.460/62.48	1.600/40.64	1.920/48.77		2.06/52.3		
-331 (LF)	2x20			2.760/70.10	1.900/48.26	2.220/56.39		2.36/59.9		
-332 (LF)	2x25			3.260/82.80	2.400/60.96	2.720/69.09		2.86/72.6		
-333 (LF)	2x30			3.760/95.50	2.900/73.66	3.220/81.79	.105/2.67	3.36/85.3		D
-334 (LF)	2x5			1.260/32.00	.400/10.16	.720/18.29	.150/3.81	.86/21.8		A
-335 (LF)	2x7			1.460/37.08	.600/15.24	.920/23.37		1.06/26.9		C
-336 (LF)	2x8			1.560/39.62	.700/17.78	1.020/25.91		1.16/29.4		D
-337 (LF)	2x10			1.760/44.70	.900/22.86	1.220/30.99		1.36/34.5		
-338 (LF)	2x13			2.060/52.32	1.200/30.48	1.520/38.61		1.66/42.1		
-339 (LF)	2x17			2.460/62.48	1.600/40.64	1.920/48.77		2.06/52.3		
-340 (LF)	2x20			2.760/70.10	1.900/48.26	2.220/56.39		2.36/59.9		
-341 (LF)	2x25			3.260/82.80	2.400/60.96	2.720/69.09		2.86/72.6		
-342 (LF)	2x30		RND	3.760/95.50	2.900/73.66	3.220/81.79	.150/3.81	3.36/85.3		D
-343 (LF)	2x5		SQ	1.260/32.00	.400/10.16	.720/18.29	.675/17.15	.86/21.8		A
-344 (LF)	2x7			1.460/37.08	.600/15.24	.920/23.37		1.06/26.9		C
-345 (LF)	2x8			1.560/39.62	.700/17.78	1.020/25.91		1.16/29.4		D
-346 (LF)	2x10			1.760/44.70	.900/22.86	1.220/30.99		1.36/34.5		
-347 (LF)	2x13			2.060/52.32	1.200/30.48	1.520/38.61		1.66/42.1		
-348 (LF)	2x17			2.460/62.48	1.600/40.64	1.920/48.77		2.06/52.3		
-349 (LF)	2x20			2.760/70.10	1.900/48.26	2.220/56.39		2.36/59.9		
-350 (LF)	2x25			3.260/82.80	2.400/60.96	2.720/69.09		2.86/72.6		
-351 (LF)	2x30	LP	SQ	3.760/95.50	2.900/73.66	3.220/81.79	.675/17.15	3.36/85.3	15u"/.38u Au DVER 50u"/1.27u Ni	
-352 (LF)	2x25	66258	RND	3.260/82.80	2.400/60.96	2.720/69.09	.105/2.67	2.86/72.6	30u"/.76u Au DVER 50u"/1.27u Ni	D
-353 (LF)	2x7	ND		1.460/37.08	.600/15.24	.920/23.37		1.06/26.9		C
-354 (LF)	2x8			1.560/39.62	.700/17.78	1.020/25.91		1.16/29.4		D
-355 (LF)	2x10			1.760/44.70	.900/22.86	1.220/30.99		1.36/34.5		
-356 (LF)	2x13			2.060/52.32	1.200/30.48	1.520/38.61		1.66/42.1		
-357 (LF)	2x17			2.460/62.48	1.600/40.64	1.920/48.77		2.06/52.3		
-358 (LF)	2x20			2.760/70.10	1.900/48.26	2.220/56.39		2.36/59.9		
-359 (LF)	2x25			3.260/82.80	2.400/60.96	2.720/69.09		2.86/72.6		
65823-360 (LF)	2x30	ND	RND	3.760/95.50	2.900/73.66	3.220/81.79	.105/2.67	3.36/85.3	30u"/.76u Au DVER 50u"/1.27u Ni	D

\*CUSTOMER SPECIAL

mat'l. code				tolerances unless otherwise specified				CUSTOMER COPY		 www.fciconnect.com	
ltr	ecn no	dr	date	linear	.XX±.01/.X±.3			projection	title		
AF					.XXX±.005/.XX±.13				HEADER, QUICKIE		
					.XXX±.0020/.XXX±.051				SEA, HORSE, RIGHT ANGLE		
					0°±2°						
				angles				INCH/MM	product family		code
				dr	J. SHREINER	1/16/90	QUICKIE		-		
				enr	M. SMYK	1/16/90	size		dwg no		
				chr	M. SMYK	1/16/90	scale		sheet		
				appd	M. SMYK	1/16/90	5:1		13 of 21		
sheet index	21	revision sheet									

Tous droits strictement reserves. Reproduction ou communication a des tiers interdite sous quelque forme que ce soit sans autorisation ecrite du propriétaire. Propriete de c FCI. Droits de reproduction FCI.



All rights strictly reserved. Reproduction or issue to third parties in any form whatever is not permitted without written authority from the proprietor. Property of FCI. Copyright FCI.

	SIZE	LATCHES NOTE 7	PIN SHAPE	DIM A	DIM B	DIM C	DIM D	DIM E	TERMINAL PLATING NOTE 12	STYLE
65823-361(LF)	2x5	ND	RND	1.260/32.00	.400/10.16	.720/18.29	.105/2.67	.86/21.8	30u"/.76u Au OVER 50u"/.1.27u Ni	A
-362(LF)		ND	RND						30u"/.76u Au OVER 50u"/.1.27u Ni	B
-363(LF)		ND	RND						15"/.38u Au OVER 50u"/.1.27u Ni	
-364(LF)		ND	RND						30u"/.76u GXT/GOLD FLASH	
-365(LF)		ND	SQ						150u"/.3.81u Sn	
-366(LF)		STD	RND						30u"/.76u Au OVER 50u"/.1.27u Ni	
-367(LF)		STD	RND						15"/.38u Au OVER 50u"/.1.27u Ni	
-368(LF)		STD	RND						30u"/.76u GXT/GOLD FLASH	
-369(LF)		STD	SQ						150u"/.3.81u Sn	
-370(LF)		LP	RND						30u"/.76u Au OVER 50u"/.1.27u Ni	
-371(LF)		LP	RND						15"/.38u Au OVER 50u"/.1.27u Ni	
-372(LF)		LP	RND						30u"/.76u GXT/GOLD FLASH	
-373(LF)		LP	SQ				.105/2.67		150u"/.3.81u Sn	
-374(LF)		ND	RND				.150/3.81		30u"/.76u Au OVER 50u"/.1.27u Ni	
-375(LF)		ND	RND						15"/.38u Au OVER 50u"/.1.27u Ni	
-376(LF)		ND	RND						30u"/.76u GXT/GOLD FLASH	
-377(LF)		ND	SQ						150u"/.3.81u Sn	
-378(LF)		STD	RND						30u"/.76u Au OVER 50u"/.1.27u Ni	
-379(LF)		STD	RND						15"/.38u Au OVER 50u"/.1.27u Ni	
-380(LF)		STD	RND						30u"/.76u GXT/GOLD FLASH	
-381(LF)		STD	SQ						150u"/.3.81u Sn	
-382(LF)		LP	RND						30u"/.76u Au OVER 50u"/.1.27u Ni	
-383(LF)		LP	RND						15"/.38u Au OVER 50u"/.1.27u Ni	
-384(LF)		LP	RND						30u"/.76u GXT/GOLD FLASH	
-385(LF)		LP	SQ				.150/3.81		150u"/.3.81u Sn	
-386(LF)		ND	SQ				.675/17.15		30u"/.76u Au OVER 50u"/.1.27u Ni	
-387(LF)		ND							15"/.38u Au OVER 50u"/.1.27u Ni	
-388(LF)		ND							30u"/.76u GXT/GOLD FLASH	
-389(LF)		ND							150u"/.3.81u Sn	
-390(LF)		STD							30u"/.76u Au OVER 50u"/.1.27u Ni	
-391(LF)		STD							15"/.38u Au OVER 50u"/.1.27u Ni	
-392(LF)		STD							30u"/.76u GXT/GOLD FLASH	
-393(LF)		STD							150u"/.3.81u Sn	
-394(LF)		LP							30u"/.76u Au OVER 50u"/.1.27u Ni	
-395(LF)		LP							15"/.38u Au OVER 50u"/.1.27u Ni	
65823-396(LF)	2x5	LP	SQ	1.260/32.00	.400/10.16	.720/18.29	.675/17.15	.86/21.8	30u"/.76u GXT/GOLD FLASH	B

\*CUSTOMER SPECIAL

mat'l. code				tolerances unless otherwise specified				CUSTOMER COPY		FCI www.fciconnect.com		
ltr	ecn no	dr	date	linear	.XX±.01/.X±.3			projection	title			
AF					.XXX±.005/.XX±.13				HEADER, QUICKIE			
					.XXX±.0020/.XXX±.051				SEA, HORSE, RIGHT ANGLE			
					angles	0°±2°			product family QUICKIE			
					dr	J. SHREINER	1/16/90		INCH/MM		code	
				enr	M. SMYK	1/16/90	scale		size			
				chr	M. SMYK	1/16/90	5:1		sheet			
				appd	M. SMYK	1/16/90			14of 21			
sheet index		revision sheet										
21												

Tous droits strictement reserves. Reproduction ou communication a des tiers interdite sous quelque forme que ce soit sans autorisation ecrite du propriétaire. Propriete de c FCI. Droits de reproduction FCI.



All rights strictly reserved. Reproduction or issue to third parties in any form whatever is not permitted without written authority from the proprietor. Property of FCI. Copyright FCI.

	SIZE	LATCHES NOTE 7	PIN SHAPE	DIM A	DIM B	DIM C	DIM D	DIM E	TERMINAL PLATING NOTE 12	STYLE
65823-397(LF)	2x5	LP	SQ	1.260/32.00	.400/10.16	.720/18.29	.675/17.15	.86/21.8	150u"/3.81u Sn	B
-398(LF)	2x10	66258-001	RND	1.760/44.70	.900/22.86	1.220/30.99	.105/2.67	1.36/34.5	30u"/.76u Au OVER 50u"/1.27u Ni	D
-399(LF)	2x5	ND	SQ	1.260/32.00	.400/10.16	.720/18.29	.105/2.67	.86/21.8	15u"/.38u Au OVER 50u"/1.27u Ni	A
-400(LF)		STD					.105/2.67			
-401(LF)		LP					.105/2.67			
-402(LF)		ND					.150/3.81			
-403(LF)		STD					.150/3.81			
-404(LF)		LP					.150/3.81			A
-405(LF)		ND					.105/2.67			B
-406(LF)		STD					.105/2.67			
-407(LF)		LP					.105/2.67			
-408(LF)		ND					.150/3.81			
-409(LF)		STD					.150/3.81			
-410(LF)	2x5	LP		1.260/32.00	.400/10.16	.720/18.29	.150/3.81	.86/21.8		B
-411(LF)	2x7	ND		1.460/37.08	.600/15.24	.920/23.37	.105/2.67	1.06/26.9		C
-412(LF)		STD					.105/2.67			
-413(LF)		LP					.105/2.67			
-414(LF)		ND					.150/3.81			
-415(LF)		STD					.150/3.81			
-416(LF)	2x7	LP		1.460/37.08	.600/15.24	.920/23.37	.150/3.81	1.06/26.9		C
-417(LF)	2x8	ND		1.560/39.62	.700/17.78	1.020/25.91	.105/2.67	1.16/29.4		D
-418(LF)		STD					.105/2.67			
-419(LF)		LP					.105/2.67			
-420(LF)		ND					.150/3.81			
-421(LF)		STD					.150/3.81			
-422(LF)	2x8	LP		1.560/39.62	.700/17.78	1.020/25.91	.150/3.81	1.16/29.4		
-423(LF)	2x10	ND		1.760/44.70	.900/22.86	1.220/30.99	.105/2.67	1.36/34.5		
-424(LF)		STD					.105/2.67			
-425(LF)		LP					.105/2.67			
-426(LF)		ND					.150/3.81			
-427(LF)		STD					.150/3.81			
-428(LF)	2x10	LP		1.760/44.70	.900/22.86	1.220/30.99	.150/3.81	1.36/34.5		
-429(LF)	2x13	ND		2.060/52.32	1.200/30.48	1.520/38.61	.105/2.67	1.66/42.1		
-430(LF)		STD					.105/2.67			
-431(LF)		LP					.105/2.67			
65823-432(LF)	2x13	ND	SQ	2.060/52.32	1.200/30.48	1.520/38.61	.150/3.81	1.66/42.1	15u"/.38u Au OVER 50u"/1.27u Ni	D

mat'l. code				tolerances unless otherwise specified		CUSTOMER COPY	 www.fciconnect.com	
ltr	ecn no	dr	date	linear	.XX±.01/.X±.3	projection		
AF					.XXX±.005/.XX±.13	 INCH/MM	title	
				angles	.XXX±.0020/.XXX±.051		0°±2°	HEADER, QUICKIE
				dr	J. SHREINER 1/16/90	scale	product family	
				enr	M. SMYK 1/16/90		QUICKIE	code
				chr	M. SMYK 1/16/90		5:1	size
				appd	M. SMYK 1/16/90		A	dwg no
sheet	revision						65823	sheet
21	index	sheet					15 of 21	



	SIZE	LATCHES NOTE 7	PIN SHAPE	DIM A	DIM B	DIM C	DIM D	DIM E	TERMINAL PLATING NOTE 12	STYLE
65823-433(LF)	2x13	STD	SQ	2.060/52.32	1.200/30.48	1.520/38.61	.150/3.81	1.66/42.1	15u" / .38u Au OVER 50u" / 1.27u Ni	D
-434(LF)	2x13	LP		2.060/52.32	1.200/30.48	1.520/38.61	.150/3.81	1.66/42.1		
-435(LF)	2x17	ND		2.460/62.48	1.600/40.64	1.920/48.77	.105/2.67	2.06/52.3		
-436(LF)		STD					.105/2.67			
-437(LF)		LP					.105/2.67			
-438(LF)		ND					.150/3.81			
-439(LF)		STD					.150/3.81			
-440(LF)	2x17	LP		2.460/62.48	1.600/40.64	1.920/48.77	.150/3.81	2.06/52.3		
-441(LF)	2x20	ND		2.760/70.10	1.900/48.26	2.220/56.39	.105/2.67	2.36/59.9		
-442(LF)		STD					.105/2.67			
-443(LF)		LP					.105/2.67			
-444(LF)		ND					.150/3.81			
-445(LF)		STD					.150/3.81			
-446(LF)	2x20	LP		2.760/70.10	1.900/48.26	2.220/56.39	.150/3.81	2.36/59.9		
-447(LF)	2x25	ND		3.260/82.80	2.400/60.96	2.720/69.09	.105/2.67	2.86/72.6		
-448(LF)		STD					.105/2.67			
-449(LF)		LP					.105/2.67			
-450(LF)		ND					.150/3.81			
-451(LF)		STD					.150/3.81			
-452(LF)	2x25	LP		3.260/82.80	2.400/60.96	2.720/69.09	.150/3.81	2.86/72.6		
-453(LF)	2x30	ND		3.760/95.50	2.900/73.66	3.220/81.79	.105/2.67	3.36/85.3		
-454(LF)		STD					.105/2.67			
-455(LF)		LP					.105/2.67			
-456(LF)		ND					.150/3.81			
-457(LF)		STD					.150/3.81			
-458(LF)	2x30	LP	SQ	3.760/95.50	2.900/73.66	3.220/81.79	.150/3.81	3.36/85.3		
-459(LF)	2x12	ND	RND	1.960/49.80	1.100/27.94	1.420/36.07	.105/2.67	1.56/39.6		
-460(LF)		STD								
-461(LF)		LP							15u" / .38u Au OVER 50u" / 1.27u Ni	
-462(LF)		ND							30u" / .76u Au OVER 50u" / 1.27u Ni	
-463(LF)		STD							30u" / .76u Au OVER 50u" / 1.27u Ni	
-464(LF)		LP							30u" / .76u Au OVER 50u" / 1.27u Ni	
-465(LF)		ND							30u" / .76u GXT/GOLD FLASH	
-466(LF)		STD							30u" / .76u GXT/GOLD FLASH	
-467(LF)		LP	RND						30u" / .76u GXT/GOLD FLASH	
65823-468(LF)	2x12	ND	SQ	1.960/49.80	1.100/27.94	1.420/36.07	.105/2.67	1.56/39.6	150u" / 3.81u Sn	D

mat'l. code				tolerances unless otherwise specified		CUSTOMER COPY		FCI www.fciconnect.com		
ltr	ecn no	dr	date	linear	.XX±.01/.X±.3		projection ⊕	title HEADER, QUICKIE		
AF					.XXX±.005/.XX±.13			SEA, HORSE, RIGHT ANGLE		
					.XXX±.0020/.XXX±.051			product family QUICKIE		
				angles	0°±2°		INCH/MM ←→	code -		
				dr	J. SHREINER	1/16/90		scale 5:1	sheet 16 of 21	
				enr	M. SMYK	1/16/90			product size A 65823	
				chr	M. SMYK	1/16/90				
				appd	M. SMYK	1/16/90				
sheet index		revision sheet								
21										



Tous droits strictement reserves. Reproduction ou communication a des tiers interalite sous quelque forme que ce soit sans autorisation ecrite du propriétaire. Propriete de c FCI. Droits de reproduction FCI.



All rights strictly reserved. Reproduction or issue to third parties in any form whatever is not permitted without written authority from the proprietor. Property of FCI. Copyright FCI.

	SIZE	LATCHES NOTE 7	PIN SHAPE	DIM A	DIM B	DIM C	DIM D	DIM E	TERMINAL PLATING NOTE 12	STYLE
65823-469(LF)	2x12	STD	SQ	1.960/49.80	1.100/27.94	1.420/36.07	.105/2.67	1.56/39.62	150u"/3.81u TIN	D
-470(LF)		LP	SQ				.105/2.67		150u"/3.81u TIN	
-471(LF)		ND	RND				.150/3.81		15u"/.38u Au OVER 50u"/1.27u Ni	
-472(LF)		STD							15u"/.38u Au OVER 50u"/1.27u Ni	
-473(LF)		LP							15u"/.38u Au OVER 50u"/1.27u Ni	
-474(LF)		ND							30u"/.76u Au OVER 50u"/1.27u Ni	
-475(LF)		STD							30u"/.76u Au OVER 50u"/1.27u Ni	
-476(LF)		LP							30u"/.76u Au OVER 50u"/1.27u Ni	
-477(LF)		ND							30u"/.76u GXT/GOLD FLASH	
-478(LF)		STD							30u"/.76u GXT/GOLD FLASH	
-479(LF)		LP	RND						30u"/.76u GXT/GOLD FLASH	
-480(LF)		ND	SQ						150u"/3.81u TIN	
-481(LF)		STD							150u"/3.81u TIN	
-482(LF)		LP					.150/3.81		150u"/3.81u TIN	
-483(LF)		ND					.105/2.67		15u"/.38u Au OVER 50u"/1.27u Ni	
-484(LF)		STD							15u"/.38u Au OVER 50u"/1.27u Ni	
-485(LF)		LP							15u"/.38u Au OVER 50u"/1.27u Ni	
-486(LF)		ND							30u"/.76u Au OVER 50u"/1.27u Ni	
-487(LF)		STD							30u"/.76u Au OVER 50u"/1.27u Ni	
-488(LF)		LP							30u"/.76u Au OVER 50u"/1.27u Ni	
-489(LF)		ND							15u"/.38u Au OVER 50u"/1.27u Ni	
-490(LF)		STD							15u"/.38u Au OVER 50u"/1.27u Ni	
-491(LF)		LP					.105/2.67		15u"/.38u Au OVER 50u"/1.27u Ni	
-492(LF)		ND					.675/17.15		15u"/.38u Au OVER 50u"/1.27u Ni	
-493(LF)		STD							15u"/.38u Au OVER 50u"/1.27u Ni	
-494(LF)		LP							15u"/.38u Au OVER 50u"/1.27u Ni	
-495(LF)		ND							30u"/.76u Au OVER 50u"/1.27u Ni	
-496(LF)		STD							30u"/.76u Au OVER 50u"/1.27u Ni	
-497(LF)		LP							30u"/.76u Au OVER 50u"/1.27u Ni	
-498(LF)		ND							30u"/.76u GXT/GOLD FLASH	
-499(LF)		STD							30u"/.76u GXT/GOLD FLASH	
-500(LF)		LP							30u"/.76u GXT/GOLD FLASH	
-501(LF)		ND							150u"/3.81u TIN	
-502(LF)		STD							150u"/3.81u TIN	
-503(LF)	2x12	LP	SQ	1.960/49.80	1.100/27.94	1.420/36.07	.675/17.15	1.56/39.62	150u"/3.81u TIN	
65823-504(LF)	2x15	ND	RND	2.260/57.40	1.400/35.56	1.720/43.69	.105/2.67	1.86/47.24	15u"/.38u Au OVER 50u"/1.27u Ni	D

mat'l. code				tolerances unless otherwise specified				CUSTOMER COPY		FCI www.fciconnect.com		
ltr	ecn no	dr	date	linear	.XX±.01/.X±.3			projection	title			
AF					.XXX±.005/.XX±.13				HEADER, QUICKIE			
					.XXX±.0020/.XXX±.051				SEA, HORSE, RIGHT ANGLE			
					angles	0°±2°			product family QUICKIE			
					dr	J. SHREINER	1/16/90		INCH/MM		code	
				enr	M. SMYK	1/16/90	scale		size			
				chr	M. SMYK	1/16/90	5:1		A			
				appd	M. SMYK	1/16/90			65823			
sheet index		revision sheet								sheet 17 of 21		
21												

Tous droits strictement reserves. Reproduction ou communication a des tiers interdite sous quelque forme que ce soit sans autorisation ecrite du propriétaire. Propriete de c FCI. Droits de reproduction FCI.



All rights strictly reserved. Reproduction or issue to third parties in any form whatever is not permitted without written authority from the proprietor. Property of FCI. Copyright FCI.

	SIZE	LATCHES NOTE 7	PIN SHAPE	DIM A	DIM B	DIM C	DIM D	DIM E	TERMINAL PLATING NOTE 12	STYLE
65823-505(LF)	2x15	STD	RND	2.260/57.40	1.400/35.56	1.720/43.69	.105/2.67	1.86/47.2	15u"/.38u Au OVER 50u"/1.27u Ni	D
-506(LF)		LP							15u"/.38u Au OVER 50u"/1.27u Ni	
-507(LF)		ND							30u"/.76u Au OVER 50u"/1.27u Ni	
-508(LF)		STD							30u"/.76u Au OVER 50u"/1.27u Ni	
-509(LF)		LP							30u"/.76u Au OVER 50u"/1.27u Ni	
-510(LF)		ND							30u"/.76u GXT GOLD FLASH	
-511(LF)		STD							30u"/.76u GXT GOLD FLASH	
-512(LF)		LP	RND						30u"/.76u GXT GOLD FLASH	
-513(LF)		ND	SQ						150u"/3.81u TIN	
-514(LF)		STD	SQ						150u"/3.81u TIN	
-515(LF)		LP	SQ				.105/2.67		150u"/3.81u TIN	
-516(LF)		ND	RND				.150/3.81		15u"/.38u Au OVER 50u"/1.27u Ni	
-517(LF)		STD							15u"/.38u Au OVER 50u"/1.27u Ni	
-518(LF)		LP							15u"/.38u Au OVER 50u"/1.27u Ni	
-519(LF)		ND							30u"/.76u Au OVER 50u"/1.27u Ni	
-520(LF)		STD							30u"/.76u Au OVER 50u"/1.27u Ni	
-521(LF)		LP							30u"/.76u Au OVER 50u"/1.27u Ni	
-522(LF)		ND							30u"/.76u GXT GOLD FLASH	
-523(LF)		STD							30u"/.76u GXT GOLD FLASH	
-524(LF)		LP	RND						30u"/.76u GXT GOLD FLASH	
-525(LF)		ND	SQ						150u"/3.81u TIN	
-526(LF)		STD							150u"/3.81u TIN	
-527(LF)		LP					.150/3.81		150u"/3.81u TIN	
-528(LF)		ND					.105/2.67		15u"/.38u Au OVER 50u"/1.27u Ni	
-529(LF)		STD							15u"/.38u Au OVER 50u"/1.27u Ni	
-530(LF)		LP							15u"/.38u Au OVER 50u"/1.27u Ni	
-531(LF)		ND							30u"/.76u Au OVER 50u"/1.27u Ni	
-532(LF)		STD							30u"/.76u Au OVER 50u"/1.27u Ni	
-533(LF)		LP					.105/2.67		30u"/.76u Au OVER 50u"/1.27u Ni	
-534(LF)		ND					.150/3.81		15u"/.38u Au OVER 50u"/1.27u Ni	
-535(LF)		STD					.150/3.81		15u"/.38u Au OVER 50u"/1.27u Ni	
-536(LF)		LP					.150/3.81		15u"/.38u Au OVER 50u"/1.27u Ni	
-537(LF)		ND					.675/17.15		15u"/.38u Au OVER 50u"/1.27u Ni	
-538(LF)		STD							15u"/.38u Au OVER 50u"/1.27u Ni	
-539(LF)		LP							15u"/.38u Au OVER 50u"/1.27u Ni	
65823-540(LF)	2x15	ND	SQ	2.260/57.40	1.400/35.56	1.720/43.69	.675/17.15	1.86/47.2	30u"/.76u Au OVER 50u"/1.27u Ni	D

mat'l. code				tolerances unless otherwise specified				CUSTOMER COPY		 www.fciconnect.com			
ltr	ecn no	dr	date	linear	.XX±.01/.X±.3			projection		title			
AF					.XXX±.005/.XX±.13					HEADER, QUICKIE			
				angles	.XXX±.0020/.XXX±.051				product family				
					0±2'				QUICKIE				
				dr	J. SHREINER	1/16/90	scale	5:1	A	65823	code		
				enr	M. SMYK	1/16/90					size	dwg no	-
				chr	M. SMYK	1/16/90					sheet	18 of 21	
				appd	M. SMYK	1/16/90							
21	sheet index	revision sheet											



	SIZE	LATCHES NOTE 7	PIN SHAPE	DIM A	DIM B	DIM C	DIM D	DIM E	TERMINAL PLATING NOTE 12	STYLE
65823-541(LF)	2x15	STD	SQ	2.260/57.40	1.400/35.56	1.720/48.69	.675/17.15	1.86/47.2	30u" / .76u Au OVER 50u" / 1.27u Ni	D
-542(LF)		LP							30u" / .76u Au OVER 50u" / 1.27u Ni	
-543(LF)		ND							30u" / .76u GXT/GOLD FLASH	
-544(LF)		STD							30u" / .76u GXT/GOLD FLASH	
-545(LF)		LP							30u" / .76u GXT/GOLD FLASH	
-546(LF)		ND							150u" / 3.81u TIN	
-547(LF)		STD							150u" / 3.81u TIN	
-548(LF)	2x15	LP	SQ	2.260/57.40	1.400/35.56	1.720/43.69	.675/17.15	1.86/47.2	150u" / 3.81u TIN	
-549(LF)	2x22	ND	RND	2.960/75.20	2.100/53.34	2.420/61.47	.105/2.67	2.56/65.0	15u" / .38u Au OVER 50u" / 1.27u Ni	
-550(LF)		STD							15u" / .38u Au OVER 50u" / 1.27u Ni	
-551(LF)		LP							15u" / .38u Au OVER 50u" / 1.27u Ni	
-552(LF)		ND							30u" / .76u Au OVER 50u" / 1.27u Ni	
-553(LF)		STD							30u" / .76u Au OVER 50u" / 1.27u Ni	
-554(LF)		LP							30u" / .76u Au OVER 50u" / 1.27u Ni	
-555(LF)		ND							30u" / .76u GXT/GOLD FLASH	
-556(LF)		STD							30u" / .76u GXT/GOLD FLASH	
-557(LF)		LP	RND						30u" / .76u GXT/GOLD FLASH	
-558(LF)		ND	SQ						150u" / 3.81u TIN	
-559(LF)		STD	SQ						150u" / 3.81u TIN	
-560(LF)		LP	SQ				.105/2.67		150u" / 3.81u TIN	
-561(LF)		ND	RND				.150/3.81		15u" / .38u Au OVER 50u" / 1.27u Ni	
-562(LF)		STD							15u" / .38u Au OVER 50u" / 1.27u Ni	
-563(LF)		LP							15u" / .38u Au OVER 50u" / 1.27u Ni	
-564(LF)		ND							30u" / .76u Au OVER 50u" / 1.27u Ni	
-565(LF)		STD							30u" / .76u Au OVER 50u" / 1.27u Ni	
-566(LF)		LP							30u" / .76u Au OVER 50u" / 1.27u Ni	
-567(LF)		ND							30u" / .76u GXT/GOLD FLASH	
-568(LF)		STD							30u" / .76u GXT/GOLD FLASH	
-569(LF)		LP	RND						30u" / .76u GXT/GOLD FLASH	
-570(LF)		ND	SQ						150u" / 3.81u TIN	
-571(LF)		STD							150u" / 3.81u TIN	
-572(LF)		LP					.150/3.81		150u" / 3.81u TIN	
-573(LF)		ND					.105/2.67		15u" / .38u Au OVER 50u" / 1.27u Ni	
-574(LF)		STD							15u" / .38u Au OVER 50u" / 1.27u Ni	
-575(LF)		LP							15u" / .38u Au OVER 50u" / 1.27u Ni	
65823-576(LF)	2x22	ND	SQ	2.960/75.20	2.100/53.34	2.420/61.47	.105/2.67	2.56/65.0	30u" / .76u Au OVER 50u" / 1.27u Ni	D

mat'l. code				tolerances unless otherwise specified		CUSTOMER COPY	 www.fciconnect.com
ltr	ecn no	dr	date	linear	.XX±.01/.X±.3	projection	
AF					.XXX±.005/.XX±.13	 INCH/MM	title
				angles	.XXX±.0020/.XXX±.051		SEA, HORSE, RIGHT ANGLE
				dr	J. SHREINER 1/16/90	scale 5:1	product family
				enr	M. SMYK 1/16/90		QUICKIE
				chr	M. SMYK 1/16/90		code
				appd	M. SMYK 1/16/90		sheet
	sheet index	revision sheet					19 of 21



Tous droits strictement reserves. Reproduction ou communication a des tiers interdite sous quelque forme que ce soit sans autorisation ecrite du propriétaire. Propriete de c FCI. Droits de reproduction FCI.

All rights strictly reserved. Reproduction or issue to third parties in any form whatever is not permitted without written authority from the proprietor. Property of FCI. Copyright FCI.



	SIZE	LATCHES NOTE 7	PIN SHAPE	DIM A	DIM B	DIM C	DIM D	DIM F	TERMINAL PLATING NOTE 12	STYLE
65823-609 (LF)	2X5	-	RND	32.00	10.16	18.29	2.67	7.24	50u"/1.27 u Au OVER 50u"/1.27u Ni	A
-610 (LF)	2X5	-	↑	32.00	10.16	18.29	↑	↑	↑	B
-611 (LF)	2X7	-	↑	37.00	15.24	23.37	↑	↑	↑	C
-612 (LF)	2X8	-	↑	39.60	17.18	25.91	↑	↑	↑	D
-613 (LF)	2X10	-	↑	44.70	22.86	30.99	↑	↑	↑	↑
-614 (LF)	2X13	-	↑	52.30	30.48	38.61	↑	↑	↑	↑
-615 (LF)	2X17	-	↑	62.40	40.64	48.77	↑	↑	↑	↑
-616 (LF)	2X20	-	↑	70.10	48.26	56.39	↑	↑	↑	↓
-617 (LF)	2X25	-	↑	82.80	60.96	69.09	↑	↑	↑	D
-618 (LF)	2X30	-	↑	95.50	76.66	81.79	↑	↑	↑	D
-619 (LF)	2X5	STD	↑	32.00	10.16	18.29	↑	↑	↑	A
-620 (LF)	2X5	↑	↑	32.00	10.16	18.29	↑	↑	↑	B
-621 (LF)	2X7	↑	↑	37.00	15.24	23.37	↑	↑	↑	C
-622 (LF)	2X8	↑	↑	39.60	17.18	25.91	↑	↑	↑	D
-623 (LF)	2X10	↑	↑	44.70	22.86	30.99	↑	↑	↑	↑
-624 (LF)	2X13	↑	↑	52.30	30.48	38.61	↑	↑	↑	↑
-625 (LF)	2X17	↑	↑	62.40	40.64	48.77	↑	↑	↑	↑
-626 (LF)	2X20	↑	↑	70.10	48.26	56.39	↑	↑	↑	↑
-627 (LF)	2X25	↑	↑	82.80	60.96	69.09	↑	↑	↑	↑
-628 (LF)	2X30	STD	RND	95.50	76.66	81.79	2.67	7.24	50u"/1.27 u Au OVER 50u"/1.27u Ni	D

mat'l. code				tolerances unless otherwise specified			CUSTOMER COPY		FCI www.fciconnect.com	
ltr	ecn no	dr	date	linear	.XX±.01/.X±.3		projection ⊕	title HEADER, QUICKIE SEA, HORSE, RIGHT ANGLE		
AF					.XXX±.005/.XX±.13					
					.XXX±.0020/.XXX±.051					
				angles	0°±2°		INCH/MM ↔	product family QUICKIE		code
				dr	J. SHREINER	1/16/90		size/ dwg no		-
				enr	M. SMYK	1/16/90		A 65823		sheet
				chr	M. SMYK	1/16/90	scale 5:1		21 of 21	
				appd	M. SMYK	1/16/90				
sheet index		revision sheet								
21										