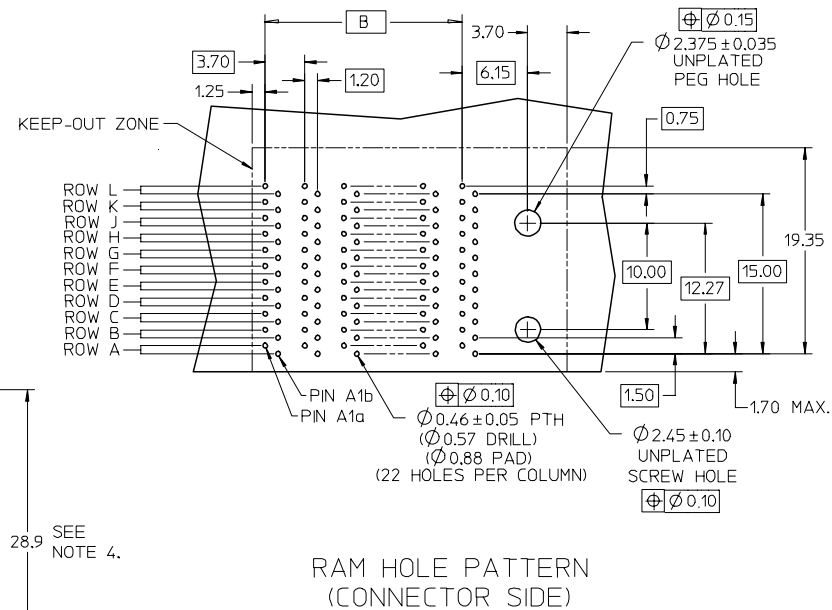
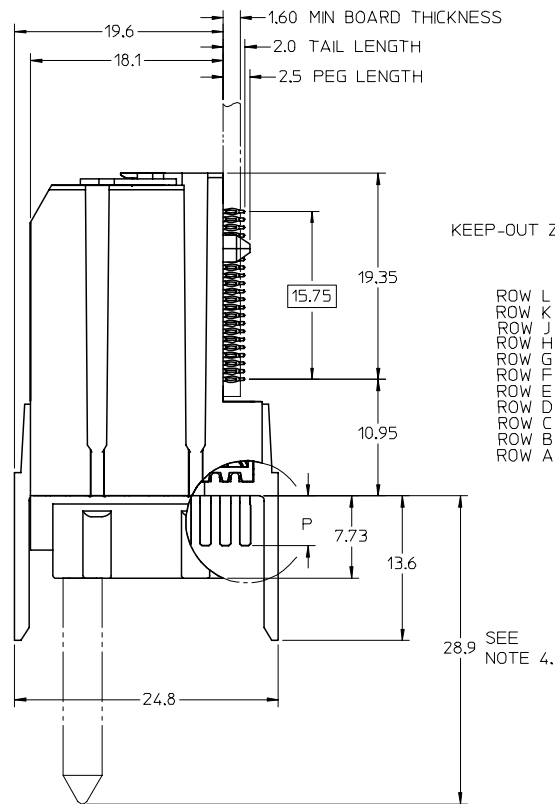
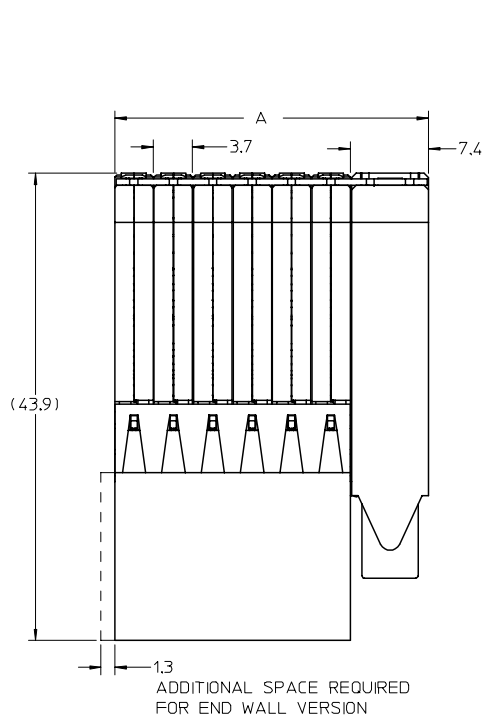


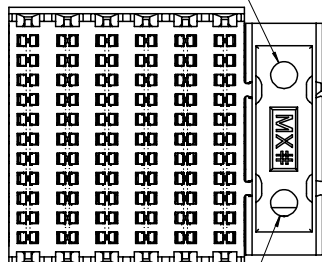
NOTES:

1. MATERIALS: HOUSING - LIQUID CRYSTAL POLYMER (LCP), BLACK, UL94V-0
TERMINALS - HIGH PERFORMANCE COPPER ALLOY
2. FINISH: SELECTIVE 30 μ GOLD IN CONTACT AREA.
SELECTIVE TIN/LEAD OR SELECTIVE TIN
ON PCB TAILS. NICKEL UNDERPLATE OVERALL.
3. MOLEX PRODUCT SPECIFICATION: PS-75710-999.
4. OPTIONAL GUIDE PIN SHOWN IN COPLANAR LOCATION.
5. PACKAGE PER PK-70873-585.
6. THIS PART CONFORMS TO CLASS B REQUIREMENTS OF COSMETIC SPEC SP-45499-002.

MATERIAL NUMBER	# OF COLUMNS	DIM "A" MAX	DIM "B"
75910-*5**	5	25.9	14.80
75910-*6**	6	29.6	18.50
75910-*1**	10	44.4	33.30



LOCATION OF GUIDE PIN FOR STANDARD COPLANAR



LOCATION OF GUIDE PIN FOR INVERTED APPLICATION

SEE SHEET 2 FC NO: UCP2008-0309 DRAWN:TELO 2007/08/13 CHKD: 2007/08/13 APPR: JLAJRX 2007/08/14 REV: DESCRIPTION	QUALITY SYMBOLS	GENERAL TOLERANCES (UNLESS SPECIFIED)	DIMENSION STYLE	SCALE	DESIGN UNITS	THIRD ANGLE PROJECTION
	$\nabla=0$ $\nabla=0$	mm INCH 4 PLACES ± --- ± --- 3 PLACES ± --- ± --- 2 PLACES ± 0.13 ± --- 1 PLACE ± 0.25 ± --- ANGULAR ± 1/2°	MM ONLY	3:1	METRIC	
	DRAFT WHERE APPLICABLE MUST REMAIN WITHIN DIMENSIONS	DRAWN BY DATE ELO 2006/06/19 CHECKED BY DATE ELO 2006/11/09 APPROVED BY DATE BIXLER 2006/11/10 MATERIAL NO. SEE CHART SIZE C	DATE 2006/06/19 DATE 2006/11/09 DATE 2006/11/10 DOCUMENT NO. SD-75910-003 SHEET NO. 1 OF 3	TITLE I-TRAC 11 ROW RAM ASS'Y DIFFERENTIAL LONG NOSE GUIDE RIGHT MOLEX INCORPORATED		
	THIS DRAWING CONTAINS INFORMATION THAT IS PROPRIETARY TO MOLEX INCORPORATED AND SHOULD NOT BE USED WITHOUT WRITTEN PERMISSION					

75910-****

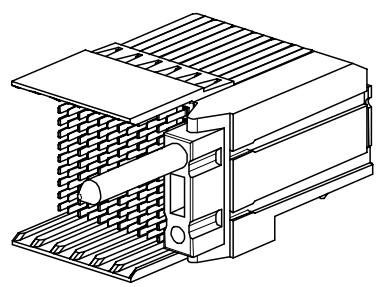
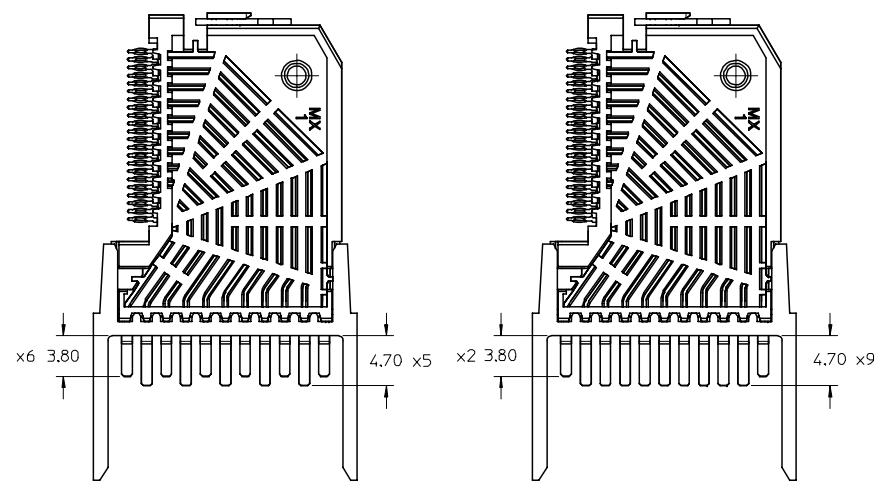
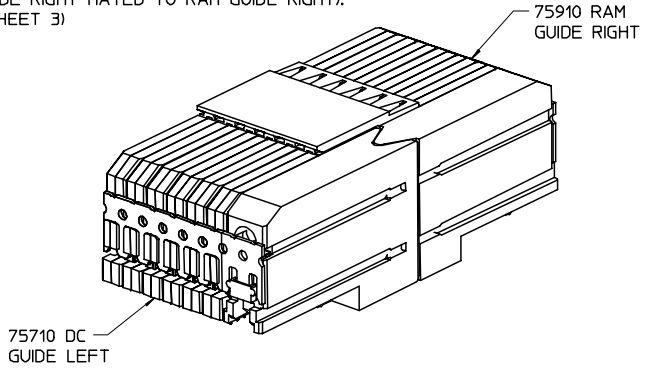
MODULE TYPE - TAIL PLATING TYPE
 GUIDE RIGHT - TIN/LEAD = 4
 GUIDE RIGHT - TIN ONLY = 5
 GUIDE RIGHT, END WALL - TIN/LEAD = 8
 GUIDE RIGHT, END WALL - TIN ONLY = 9

PIN LENGTH (P)
 3 = 4.70
 5 = 3.80, 4.70 STAGGERED
 6 = 3.80, 4.70 STAGGERED

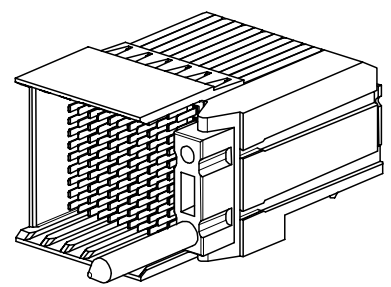
OF COLUMNS
 5 = 5 COL
 6 = 6 COL
 1 = 10 COL

ORIENTATION OF GUIDE POST
 2 = COPLANAR
 3 = INVERTED

NOTE:
 WHEN MATING RIGHT ANGLE MALE (RAM) TO A DAUGHTERCARD IN A COPLANAR APPLICATION, THE GUIDE CONFIGURATION IS OPPOSING (DC GUIDE LEFT MATED TO RAM GUIDE RIGHT). WHEN INVERTED, THE RAM AND DAUGHTERCARD HAVE THE SAME GUIDE CONFIGURATION (DC GUIDE RIGHT MATED TO RAM GUIDE RIGHT). (SEE SHEET 3)



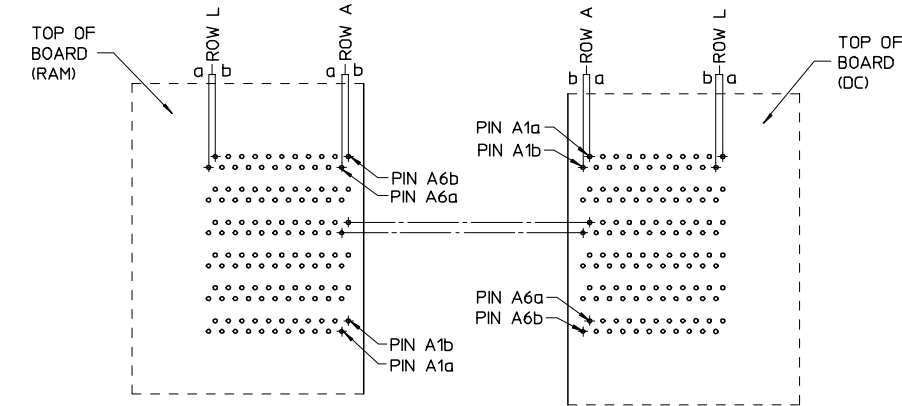
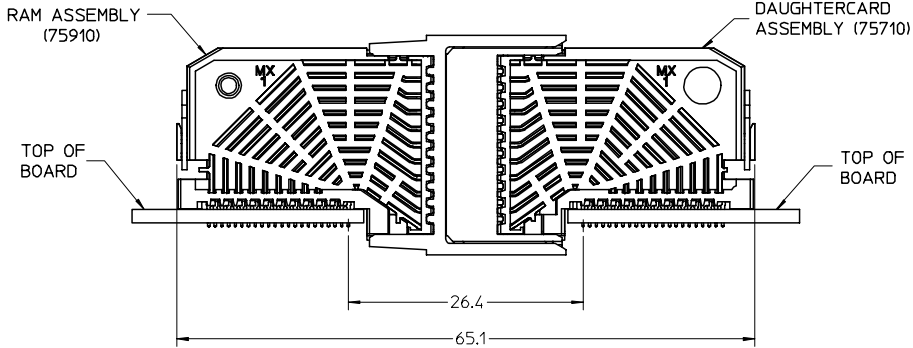
75910-4*2* or
 75910-5*2*
 GUIDE RIGHT, COPLANAR



75910-8*3* or
 75910-9*3*
 GUIDE RIGHT, END WALL, INVERTED

CLARIFY MATING EC NO: UCP2008-0309 DRAWN:TELO 2007/08/13 CHKD: 2007/08/13 APPR: JLAJRX 2007/08/14 REV DESCRIPTION	QUALITY SYMBOLS	GENERAL TOLERANCES (UNLESS SPECIFIED)	DIMENSION STYLE	SCALE	DESIGN UNITS	THIRD ANGLE PROJECTION
	▽=0 ▽=0	mm INCH	MM ONLY	2:1	METRIC	
		4 PLACES ±.005 ±.005	DRAWN BY DATE	TITLE		
		3 PLACES ±.005 ±.005	ELO 2006/06/19	I-TRAC 11 ROW RAM ASS'Y DIFFERENTIAL LONG NOSE GUIDE RIGHT		
	2 PLACES ±0.13 ±.005	ELO 2006/11/09	MOLEX MOLEX INCORPORATED			
	1 PLACE ±0.25 ±.005	APPROVED BY DATE	DOCUMENT NO.			
	ANGULAR ±1/2°	BIXLER 2006/11/10	SD-75910-003			
		MATERIAL NO.	SHEET NO.			
			2 OF 3			
		DRAFT WHERE APPLICABLE MUST REMAIN WITHIN DIMENSIONS	THIS DRAWING CONTAINS INFORMATION THAT IS PROPRIETARY TO MOLEX INCORPORATED AND SHOULD NOT BE USED WITHOUT WRITTEN PERMISSION			

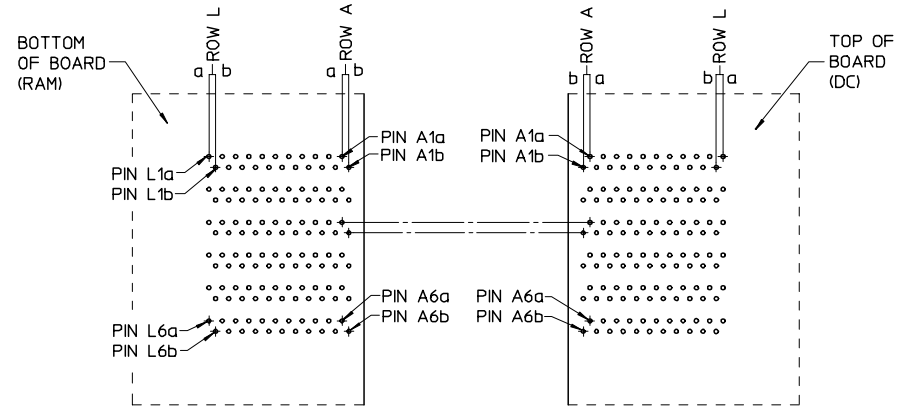
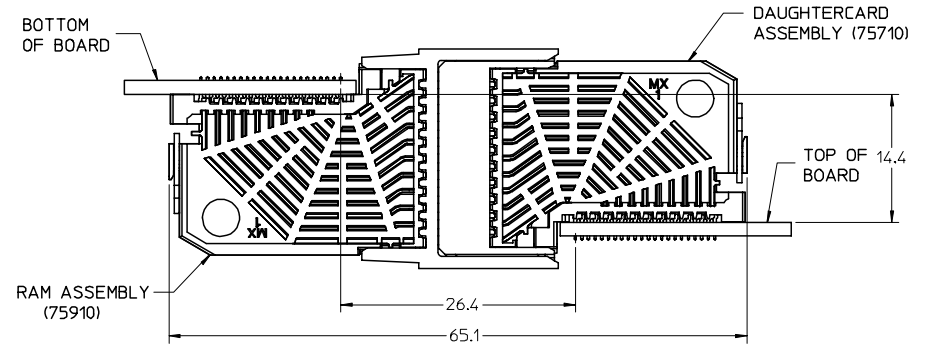
COPLANAR APPLICATION



COPLANAR MATED SIGNAL PATHS

RAM PIN A6b	DC PIN A1a
RAM PIN A6a	DC PIN A1b
.....
RAM PIN A1b	DC PIN A6a
RAM PIN A1a	DC PIN A6b

INVERTED APPLICATION



INVERTED MATED SIGNAL PATHS

RAM PIN L1a	DC PIN A1a
RAM PIN L1b	DC PIN A1b
.....
RAM PIN L6a	DC PIN A6a
RAM PIN L6b	DC PIN A6b

ADD SHEET 3 EC NO: UCP2008-0309 DRAWN:TELO 2007/08/13 CHKD: 2007/08/13 APPR: JLAJRX 2007/08/14 REVISIONS:	QUALITY SYMBOLS	GENERAL TOLERANCES (UNLESS SPECIFIED)	DIMENSION STYLE	SCALE	DESIGN UNITS	THIRD ANGLE PROJECTION
	$\nabla=0$ $\nabla=0$	mm INCH 4 PLACES ± --- ± --- 3 PLACES ± --- ± --- 2 PLACES ± 0.13 ± --- 1 PLACE ± 0.25 ± --- ANGULAR ±1/2°	MM ONLY	2:1	METRIC	
	DRAWN BY DATE ELO 2006/06/19 CHECKED BY DATE ELO 2006/11/09 APPROVED BY DATE BIXLER 2006/11/10 MATERIAL NO.	TITLE I-TRAC 11 ROW RAM ASS'Y DIFFERENTIAL LONG NOSE GUIDE RIGHT		MOLEX INCORPORATED DOCUMENT NO.	SHEET NO.	
	DRAFT WHERE APPLICABLE MUST REMAIN WITHIN DIMENSIONS		SEE SHEET 2	SD-75910-003	3 OF 3	

THIS DRAWING CONTAINS INFORMATION THAT IS PROPRIETARY TO MOLEX INCORPORATED AND SHOULD NOT BE USED WITHOUT WRITTEN PERMISSION