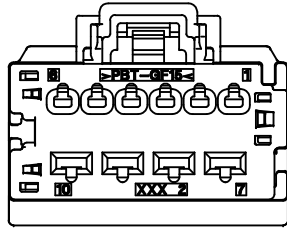
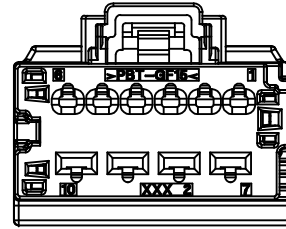


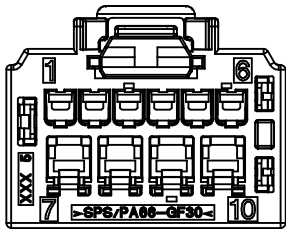
POLARIZATION OPTION A
P/N: 31372-1000



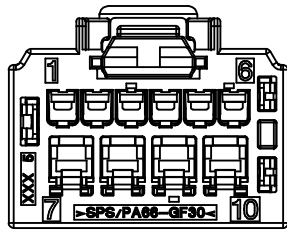
POLARIZATION OPTION B
P/N: 31372-1100



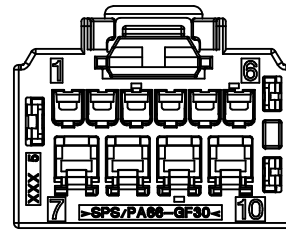
POLARIZATION OPTION C
P/N: 31372-1200



POLARIZATION OPTION A W/ CPA
P/N: 31372-1300



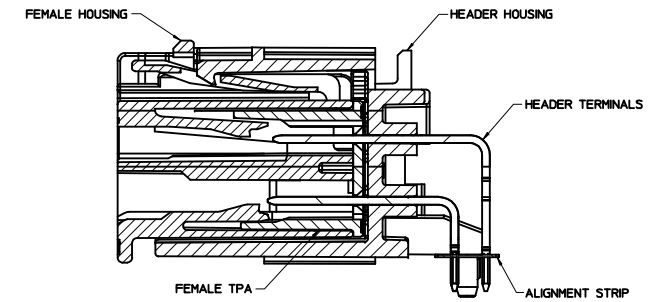
POLARIZATION OPTION B W/ CPA
P/N: 31372-1400



POLARIZATION OPTION C W/ CPA
P/N: 31372-1500

NOTES: VALID UNLESS OTHERWISE SPECIFIED

1. GENERAL:
 - a. APPLICATION SPECIFICATION SEE: AS-31372-100
 - b. PRODUCT SPECIFICATION SEE: PS-31372-100
 - c. PACKAGING SPECIFICATION PER MOLEX DRAWING: PK-31300-931
 - d. PARTS MUST BE IN COMPLIANCE TO MOLEX CHEMICAL SUBSTANCES FOR PRODUCTS AND PACKAGING SPECIFICATION: PS-40000-5015
 - e. DATA MUST BE SUBMITTED UNDER THE MOLEX PART NUMBER TO IMDS (COMPANY ID#13255)
2. DESIGN - MATERIALS:
 - a. SEE BOM TABLE
3. DESIGN - GEOMETRY:
 - a. THIS IS A 100% CAD GENERATED PART. THE CAD MATHEMATICAL DATA IS THE MASTER FOR THIS PART. FOR DIMENSIONAL OR ANY INFORMATION NOT SHOWN ON THIS DRAWING, ANALYZE THE CAD MODEL.
 - b. GEOMETRIC DIMENSIONS AND TOLERANCES PER ASME Y14.5M - 1994
 - c. EDGES AND UNDIMENSIONED DETAILS PER ISO13715
 - d. CORNERS SHOWN AS SHARP TO BE R 0.2 MAX.
 - e. LETTERING SHALL BE 0.15 MAX RAISED IN 0.25 MAX RECESS PAD. THIS INCLUDES RECYCLING CODE, CAVITY ID, VENDOR IDENTIFICATION, AND CUSTOMER MATERIAL NUMBER.
 - f. VISUAL DEFECTS SHALL MEET COSMETIC STANDARD PS-45499-002 (Class B)
4. DESIGN - MANUFACTURING:
 - a. TPAs MAY BECOME SEATED DURING TRANSIT. IF THIS OCCURS, REFERENCE MOLEX PRODUCT SPECIFICATION PS-34646-001



ASSEMBLY SECTION



ISOMETRIC VIEWS
SCALE 1:1
(POLARITY A SHOWN)

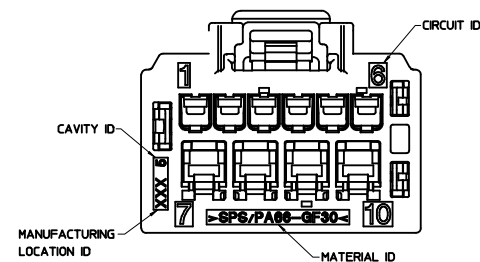
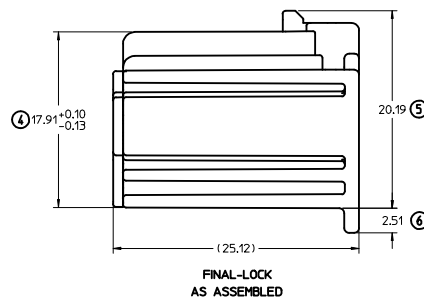
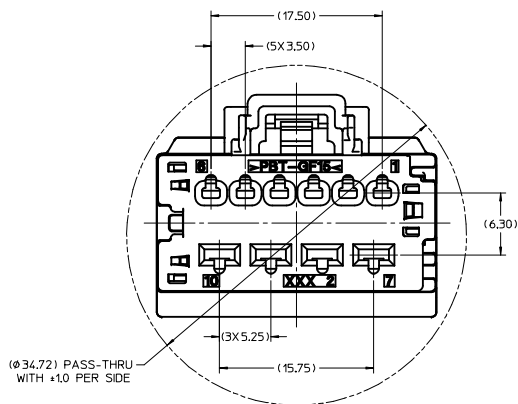
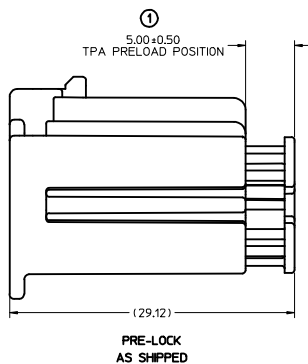
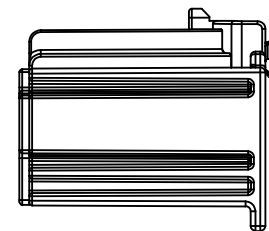
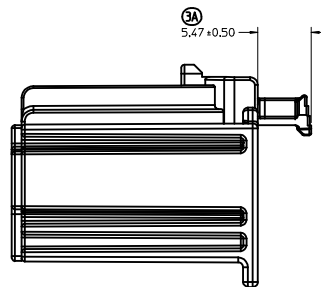
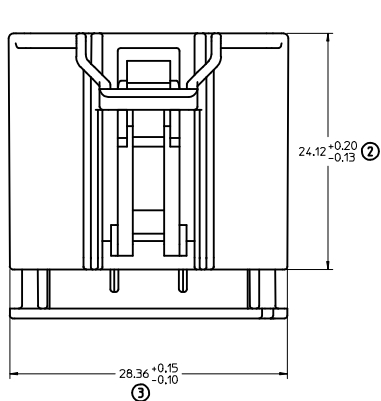
FIX TERMINAL TABLE EC NO: UAU2015-0831 DRWN: FISCHER01 2014/11/25 CHKD: APPR: RBALMAN 2014/12/08 REV: M6	QUALITY SYMBOLS ▽=0 ▽=0	GENERAL TOLERANCES (UNLESS SPECIFIED) <table border="1"> <thead> <tr> <th></th> <th>mm</th> <th>INCH</th> </tr> </thead> <tbody> <tr> <td>4 PLACES</td> <td>± .13</td> <td>± .005</td> </tr> <tr> <td>3 PLACES</td> <td>± .15</td> <td>± .006</td> </tr> <tr> <td>2 PLACES</td> <td>± 0.13</td> <td>± .005</td> </tr> <tr> <td>1 PLACE</td> <td>± 0.25</td> <td>± .010</td> </tr> <tr> <td colspan="3">ANGULAR ± 1°</td> </tr> </tbody> </table>		mm	INCH	4 PLACES	± .13	± .005	3 PLACES	± .15	± .006	2 PLACES	± 0.13	± .005	1 PLACE	± 0.25	± .010	ANGULAR ± 1°			DIMENSION STYLE MM ONLY	SCALE 4:1	DESIGN UNITS METRIC	THIRD ANGLE PROJECTION
		mm	INCH																					
	4 PLACES	± .13	± .005																					
	3 PLACES	± .15	± .006																					
2 PLACES	± 0.13	± .005																						
1 PLACE	± 0.25	± .010																						
ANGULAR ± 1°																								
DRAWN BY: SKAROLEW CHECKED BY: MDANIELS APPROVED BY: BBWILSON	DATE: 04/07/2003 DATE: 04/07/2003 DATE: 04/08/2003	TITLE 10 CIRCUIT HYBRID RECEPTACLE ASSEMBLY	MATERIAL NO. SEE CHART	DOCUMENT NO. SD-31372-900	SHEET NO. 1 OF 3	MOLEX INCORPORATED																		
DRAFT WHERE APPLICABLE MUST REMAIN WITHIN DIMENSIONS																								
THIS DRAWING CONTAINS INFORMATION THAT IS PROPRIETARY TO MOLEX INCORPORATED AND SHOULD NOT BE USED WITHOUT WRITTEN PERMISSION																								

MOLEX ASSEMBLY PART NO.'S	MATING COMPONENT		TOOLED
	VERTICAL HEADER	RIGHT ANGLE HEADER	
31372-1000	34695-0100	34696-0100	YES
31372-1100	34695-0101	34696-0101	YES
31372-1200	34695-0102	34696-0102	YES
31372-1300	34695-0100	34696-0100	YES
31372-1400	34695-0101	34696-0101	YES
31372-1500	34695-0102	34696-0102	YES

ITEM	DESCRIPTION	COLOR	MOLEX COMPONENTS PART NO.	MATERIAL /SPEC.NO	RECYCLING CODE	WEIGHT	NO OF ITEMS REQUIRED			
1	FEMALE HOUSING POL A	BLACK	31372-2000	89992-1440	SPS/PA66-GF30	6.74g	1			
2	FEMALE HOUSING POL B	GRAY	31372-2100	89992-1451	SPS/PA66-GF30	6.73g		1		
3	FEMALE HOUSING POL C	BROWN	31372-2200	89992-1462	SPS/PA66-GF30	6.74g			1	
1	FEMALE CPA HOUSING POL A	BLACK	31372-2300	89992-1440	SPS/PA66-GF30	6.74g				1
2	FEMALE CPA HOUSING POL B	GRAY	31372-2400	89992-1451	SPS/PA66-GF30	6.73g				1
3	FEMALE CPA HOUSING POL C	BROWN	31372-2500	89992-1462	SPS/PA66-GF30	6.74g				1
7	TPA	NATURAL	31372-3000	89992-0925	PBT-GF15	1.39g	1	1	1	1
8	CPA	NATURAL	31372-4000	89992-1912	PA66-GF50	1.39g			1	1

ITEM	APPLICABLE COMPONENTS			APPLICABLE WIRE SIZE	
	DESCRIPTION	TYPE	SUPPLIER COMPONENTS PART NO.	WIRE GAGE	MAXIMUM INSULATION DIAMETER
1	MOLEX MX150 TERMINAL	Sn	33012-2001	14/16 AWG	2.70mm
2		Sn	33012-2002	18/20 AWG	2.54mm
3		Sn	33012-2003	22 AWG	1.70mm
4		Sn	33012-2004	0.35mm ² /0.50mm ²	1.70mm
5		Sn	33012-3001	14/16 AWG	2.70mm
6		Sn	33012-3002	18/20 AWG	2.54mm
7		Sn	33012-3003	22 AWG	1.70mm
8		Sn	33012-3004	0.35mm ² /0.50mm ²	1.70mm
9	TYCO 2.8 TERMINAL	Sn	1326030-4	10/12 AWG	4.04mm
10		Sn	1326030-3	14/16 AWG	2.69mm
11		Sn	1326030-2	18/20 AWG	2.06mm
12		Sn	1326030-1	22 AWG	1.65mm
9	YAZAKI 2.8 TERMINAL	Sn	7116-4112-02	14 AWG	2.69mm
10		Sn	7116-4111-02	16/18 AWG	2.34mm
11		Sn	7116-4110-02	20/22 AWG	1.85mm

ENTER DESCRIPTION ELEC NO. UAU2015-0831 DRAWN BY FISCHER01 2014/11/25 CHKD: APPR:RBALMAN 2014/12/08 REV:	QUALITY SYMBOLS ▽=0 ▽=0 ▽=0	GENERAL TOLERANCES (UNLESS SPECIFIED) mm INCH 4 PLACES ± 0.13 ± 0.005 3 PLACES ± 0.25 ± 0.010 2 PLACES ± 0.25 ± 0.010 1 PLACE ± 0.25 ± 0.010 0 PLACE ± 0.25 ± 0.010	DIMENSION STYLE MM ONLY	SCALE 4:1	DESIGN UNITS METRIC	THIRD ANGLE PROJECTION	
	DRAWN BY SKAROLEW 04/07/2003 CHECKED BY DATE MDANIELS 04/07/2003 APPROVED BY DATE BBWILSON 04/08/2003		MATERIAL NO. 999999999		DOCUMENT NO. SD-31372-900		
	ANGULAR ± 1 ° DRAFT WHERE APPLICABLE MUST REMAIN WITHIN DIMENSIONS		SIZE D		SHEET NO. 2 OF 3		
	THIS DRAWING CONTAINS INFORMATION THAT IS PROPRIETARY TO MOLEX INCORPORATED AND SHOULD NOT BE USED WITHOUT WRITTEN PERMISSION						



CAPACITY TOOLING EC NO: UAU2015-0831 DRAWN: FISCHER01 2014/11/25 CHKD: APPR: RBALMAN 2014/12/08 M6	QUALITY SYMBOLS ▽=0 ▽=0	GENERAL TOLERANCES (UNLESS SPECIFIED) <table border="1"> <thead> <tr> <th></th> <th>mm</th> <th>INCH</th> </tr> </thead> <tbody> <tr> <td>4 PLACES</td> <td>± ---</td> <td>± ---</td> </tr> <tr> <td>3 PLACES</td> <td>± ---</td> <td>± ---</td> </tr> <tr> <td>2 PLACES</td> <td>± 0.13</td> <td>± ---</td> </tr> <tr> <td>1 PLACE</td> <td>± 0.25</td> <td>± ---</td> </tr> <tr> <td colspan="3">ANGULAR ± 1°</td> </tr> </tbody> </table>		mm	INCH	4 PLACES	± ---	± ---	3 PLACES	± ---	± ---	2 PLACES	± 0.13	± ---	1 PLACE	± 0.25	± ---	ANGULAR ± 1°			DIMENSION STYLE MM ONLY	SCALE 4:1	DESIGN UNITS METRIC	THIRD ANGLE PROJECTION
		mm	INCH																					
	4 PLACES	± ---	± ---																					
	3 PLACES	± ---	± ---																					
2 PLACES	± 0.13	± ---																						
1 PLACE	± 0.25	± ---																						
ANGULAR ± 1°																								
		DRAWN BY SKAROLEW 04/07/2003	DATE 04/07/2003	TITLE 10 CIRCUIT HYBRID RECEPTACLE ASSEMBLY																				
		CHECKED BY MDANIELS 04/07/2003	DATE 04/07/2003	APPROVED BY BBWILSON 04/08/2003																				
		DRAFT WHERE APPLICABLE MUST REMAIN WITHIN DIMENSIONS		MATERIAL NO. SEE CHART	DOCUMENT NO. SD-31372-900	SHEET NO. 3 OF 3																		

THIS DRAWING CONTAINS INFORMATION THAT IS PROPRIETARY TO MOLEX INCORPORATED AND SHOULD NOT BE USED WITHOUT WRITTEN PERMISSION