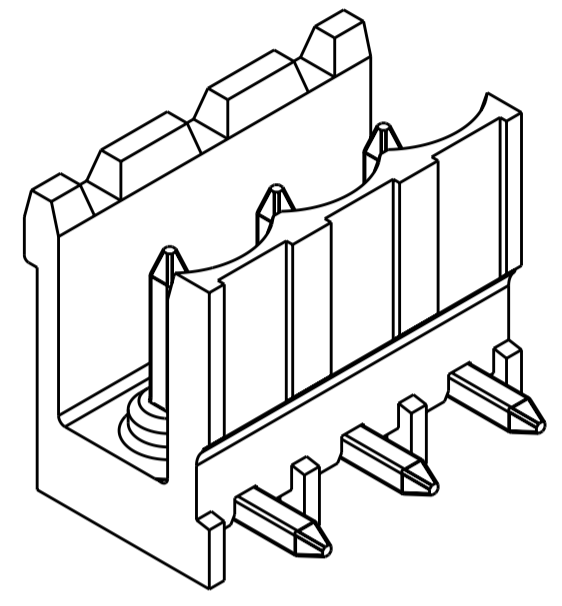
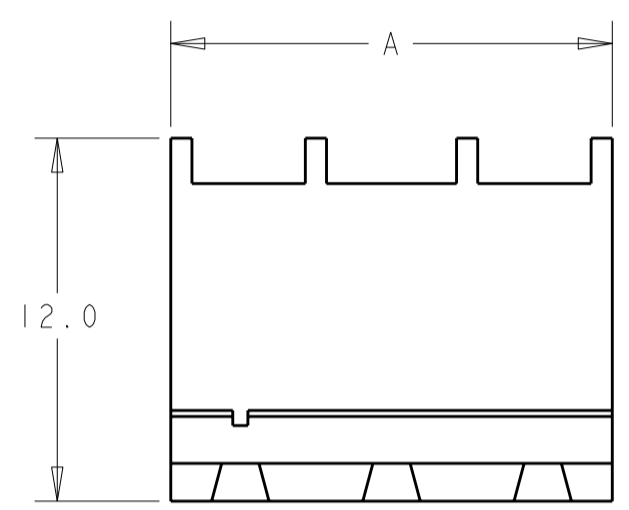


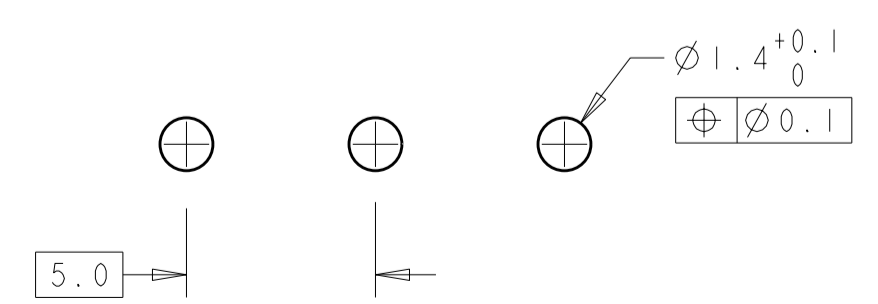
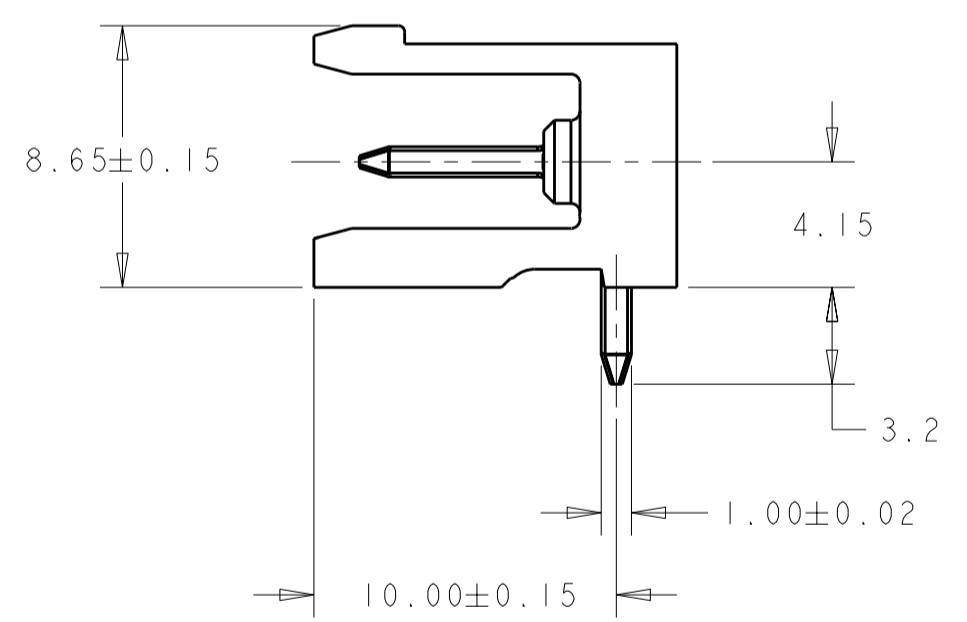
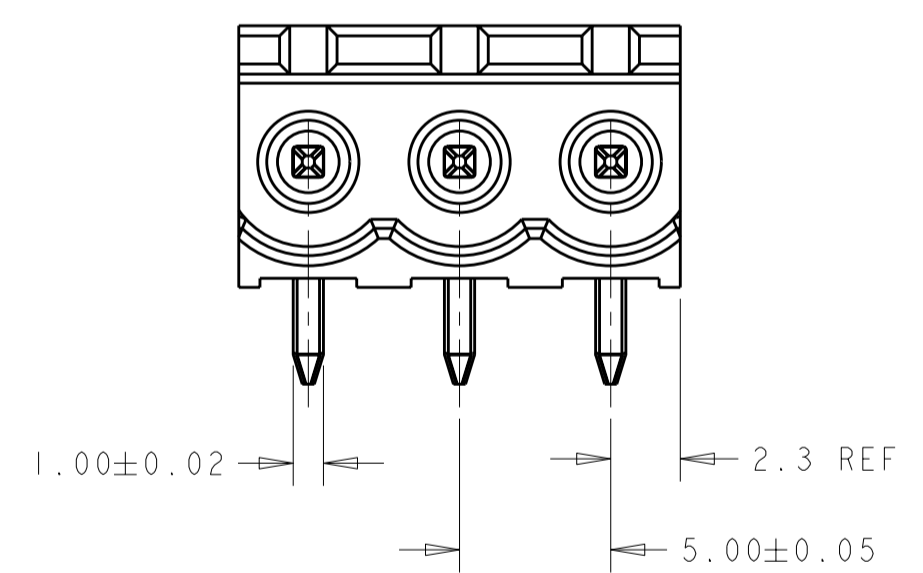
THIS DRAWING IS UNPUBLISHED. RELEASED FOR PUBLICATION 20
 © COPYRIGHT 20 Tyco Electronics AMP GmbH ALL RIGHTS RESERVED.

LOC	DIST	REVISIONS			
P	LTR	DESCRIPTION	DATE	DWN	APVD
FT	0	AI	REVISED PER ECO-12-007711	26APR2012	KH MS



1776140-3 AS SHOWN

- 1. MATERIALS AND FINISH
 HOUSING: HIGH TEMPERATURE POLYAMIDE, UL 94V-0 RATED,
 COLOR: BLACK.
 TERMINAL: COPPER ALLOY, TIN PLATED.
- 2. SUITABLE FOR 1,6-2,4mm PC BOARD THICKNESS.
- 3. END-TO-END STACKABLE WITHOUT LOSS OF CENTERLINE SPACING.
- 4. RECOGNIZED UNDER THE COMPONENT PROGRAM OF UNDERWRITERS LABORATORIES INC. FILE N° E60677.
- 5. IMQ CERTIFICATE WITH SURVEILLANCE IN CONFORMITY WITH IEC 998-1/998-2-1.
- 6. UL RATING: 300V, 15A.



RECOMMENDED PC BOARD LAYOUT

59.6	12	1-1776140-2
54.6	11	1-1776140-1
49.6	10	1-1776140-0
44.6	9	1776140-9
39.6	8	1776140-8
34.6	7	1776140-7
29.6	6	1776140-6
24.6	5	1776140-5
19.6	4	1776140-4
14.6	3	1776140-3
9.6	2	1776140-2
A	NO OF POSN	PART NUMBER

THIS DRAWING IS A CONTROLLED DOCUMENT.		DWN S. WELDON 07JUN2005	TE Connectivity		
DIMENSIONS: mm		CHK C. RICHARD 07JUN2005			
TOLERANCES UNLESS OTHERWISE SPECIFIED:		APVD C. RICHARD 07JUN2005			
0 PLC ±- 1 PLC ±.2 2 PLC ±.25 3 PLC ±- 4 PLC ±- ANGLES ±2 FINISH		PRODUCT SPEC 108-20166	NAME TERMINAL BLOCK HEADER ASSEMBLY 90 DEGREE, OPEN ENDS, STACKING 5.00mm PITCH		
MATERIAL		APPLICATION SPEC 114-20079	SIZE A2	CAGE CODE 00779	DRAWING NO C-1776140
-		WEIGHT -	RESTRICTED TO -		
CUSTOMER DRAWING			SCALE 3:1	SHEET 1 OF 1	REV AI