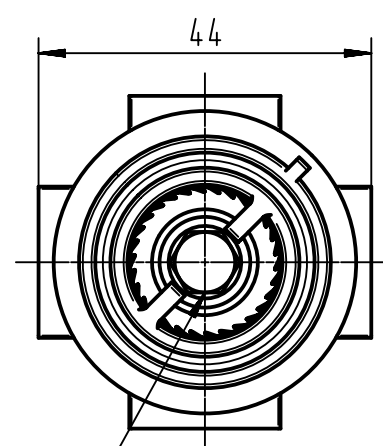
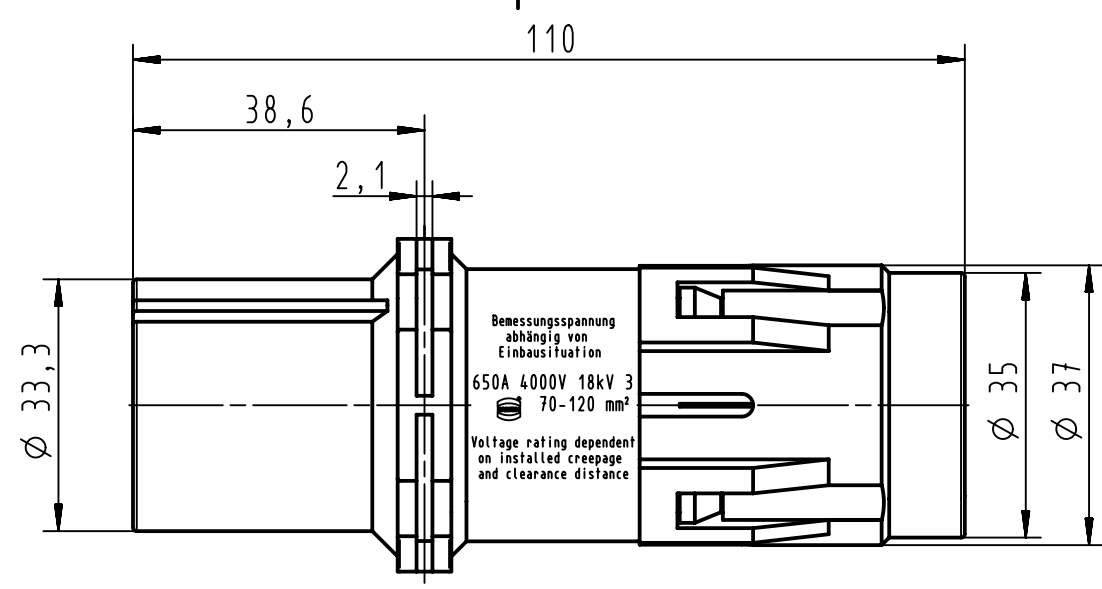
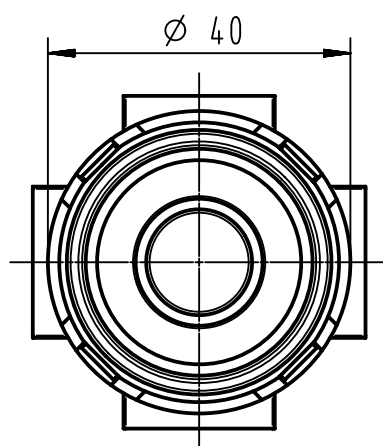
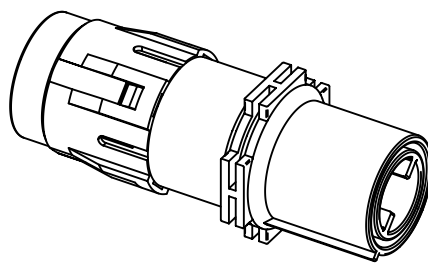


1 2 3 4 5 6

A  
B  
C  
D



SW8



Bemessungsspannung  
abhängig von  
Einbausituation  
650A 4000V 18kV 3  
70-120 mm<sup>2</sup>  
Voltage rating dependent  
on installed creepage  
and clearance distance

Leiterquerschnitt/ wire gauge	
70-120 mm <sup>2</sup>	AWG 2/0-4/0

	All Dimensions in mm Original Size DIN A4	Scale 1:1	Free size tol.		Ref. Sub.	
	All rights reserved Department EL PD - DE	Created by SCHULZI	Inspected by BERGHORN	Standardisation RUETERA	Date 2013-03-05	State Final Release
HARTING Electric GmbH & Co. KG D-32339 Espelkamp		Title Han 1 HC 650A-Female-Ax 70-120 mm			Doc-Key / ECM-Nr. 100085489/UGD/003/A	
		Type TB	Number 09 11 001 2771		Rev. A	Page 1/1