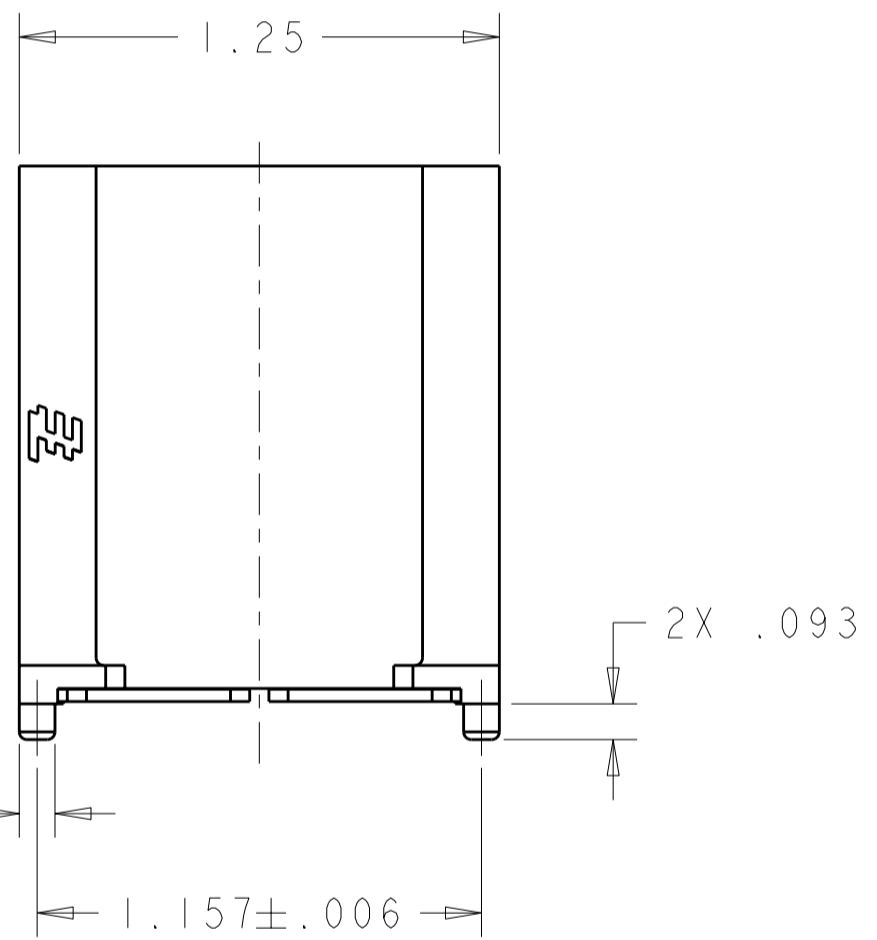
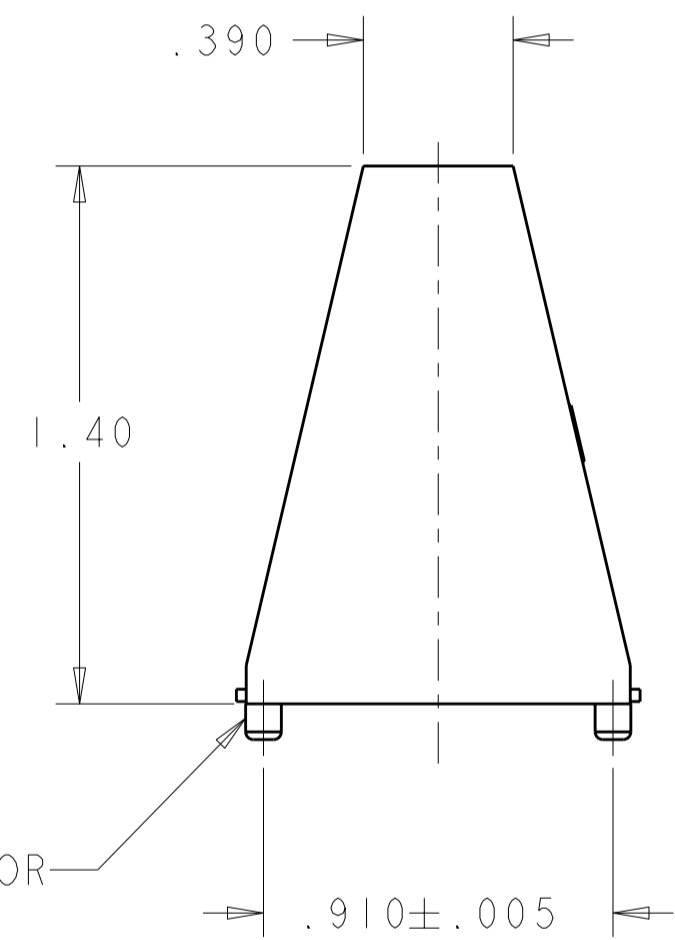
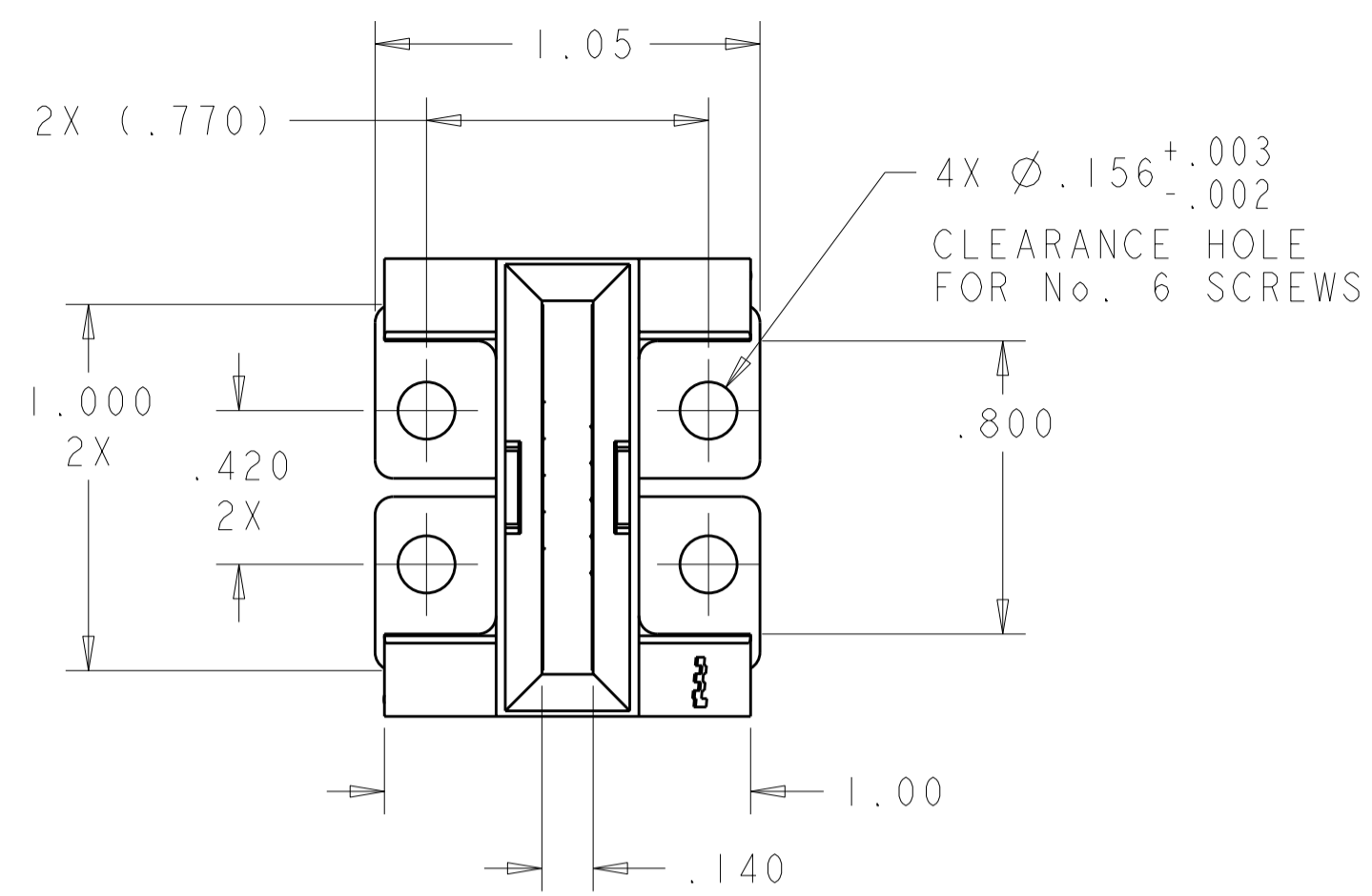


THIS DRAWING IS UNPUBLISHED. RELEASED FOR PUBLICATION 20
 © COPYRIGHT 20 BY TYCO ELECTRONICS CORPORATION. ALL RIGHTS RESERVED.

LOC		DIST		REVISIONS			
P	LTR	DESCRIPTION	DATE	DWN	APVD		
GP	00	A	RELEASED	24FEB2009	RG	PD	
		B	REV PER ECO-09-008703	16APR2009	RG	DO	



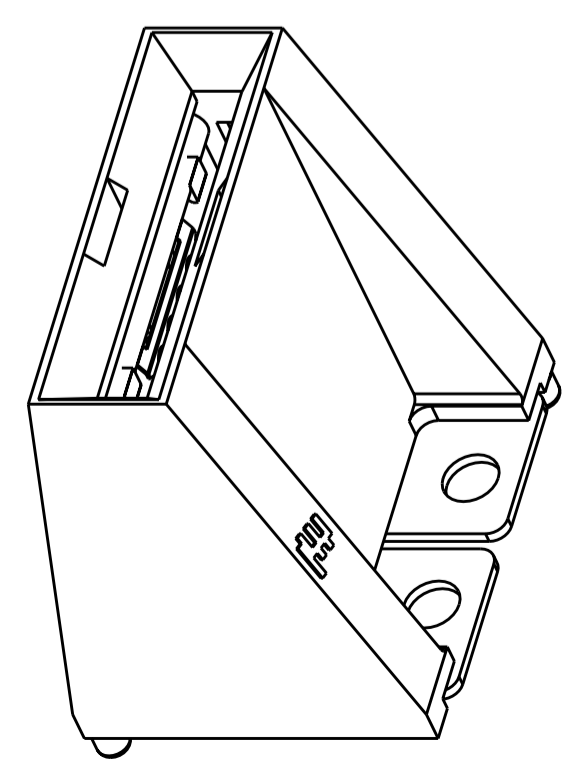
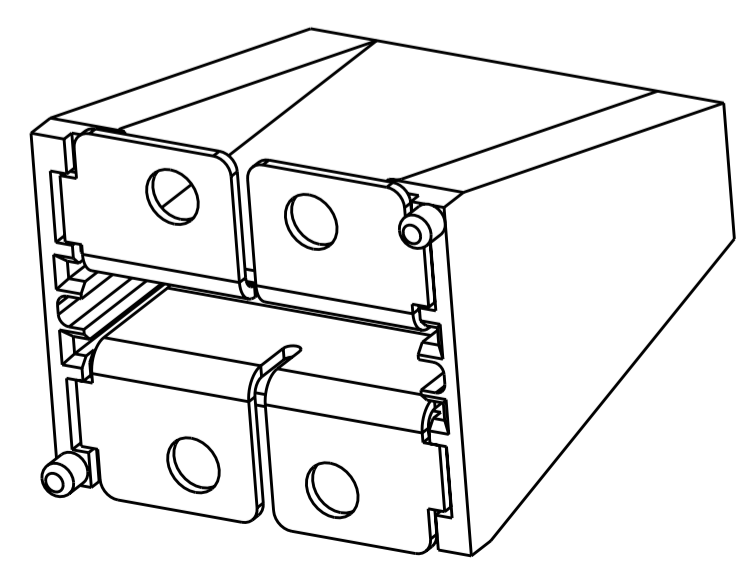
1. PART NUMBER CHANGES AND OR DESIGN CHANGES AFFECTING ITEM INTERCHANGEABILITY REQUIRE PRIOR TYCO ELECTRONICS APPROVAL AND AUTHORIZATION BY REVISION TO THIS DRAWING.

2. MATERIAL:
 INSULATOR - THERMOPLASTIC, GLASS REINFORCED, COLOR: BLACK, UL 94V-0 FLAMMABILITY RATED.
 CROWN HOLDER - COPPER ALLOY
 CROWN BAND - COPPER ALLOY

3. FINISH:
 CROWN BAND - GOLD PLATE .000030 MIN THK OVER NICKEL .000050 MIN THK.
 CROWN BAND HOLDER - GOLD FLASH .000010 MIN THK. NICKEL .000050 MIN THK.

4. ITEMS PROVIDED TO THIS SPECIFICATION TO BE PERMANENTLY PERMANENTLY IDENTIFIED ON THE CONTAINER PER THE FOLLOWING IDENTIFIER LABEL:

TYCO ELECTRONICS P/N DATE CODE (e.g. 0106)
 XXXXXXXX-X YEAR WEEK
 XXXX

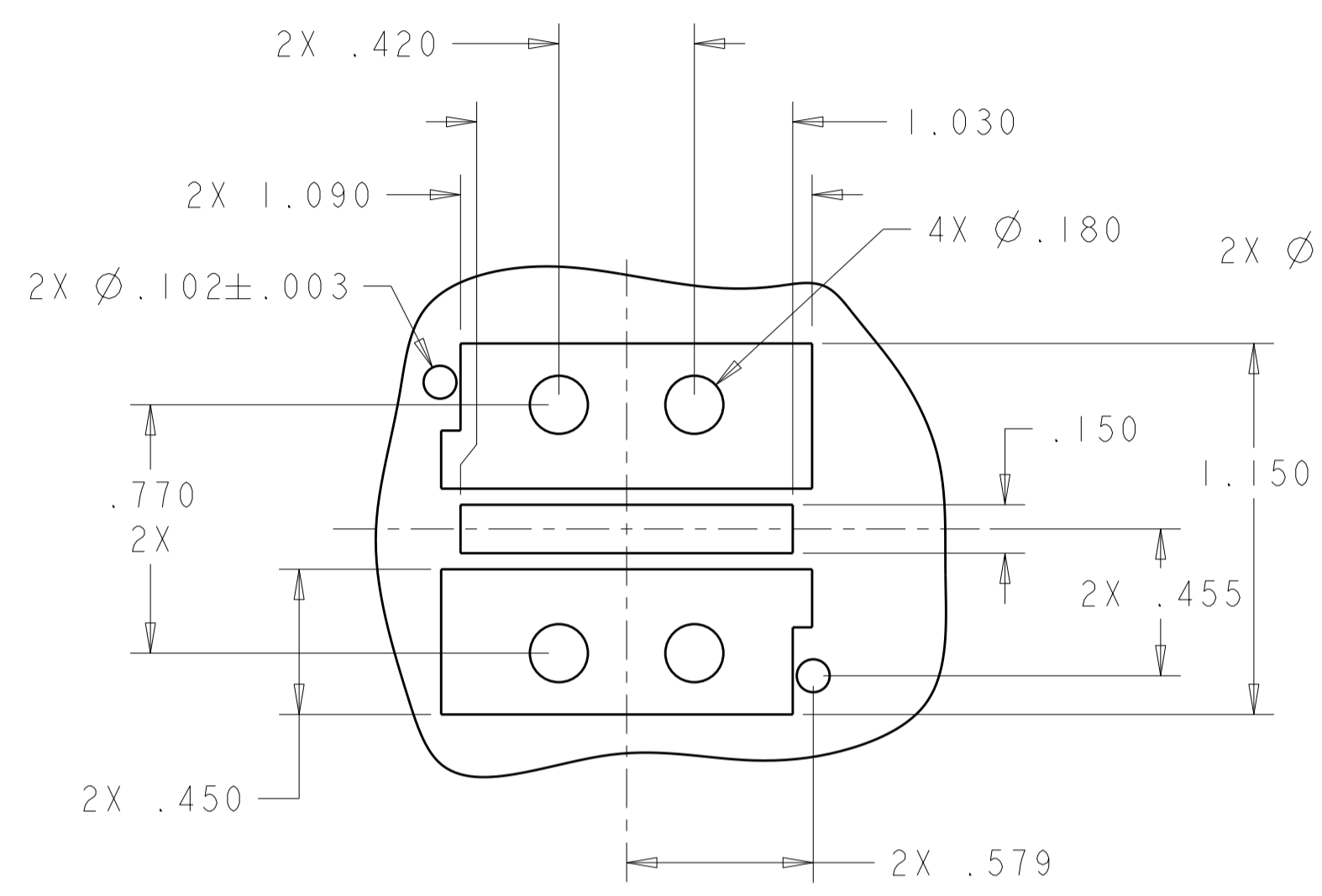


THIS DRAWING IS A CONTROLLED DOCUMENT FOR TYCO ELECTRONICS CORPORATION. IT IS SUBJECT TO CHANGE AND THE CONTROLLING ENGINEERING ORGANIZATION SHOULD BE CONTACTED FOR THE LATEST REVISION.		DWN	28 JAN 2008	R. GRZYBOWSKI
DIMENSIONS: INCHES		CHK	28 JAN 2008	S. FLICKINGER
TOLERANCES UNLESS OTHERWISE SPECIFIED:		APVD	28 JAN 2008	S. FLICKINGER
0 PLC	±	PRODUCT SPEC		
1 PLC	±	APPLICATION SPEC		
2 PLC	±.01	WEIGHT		
3 PLC	±.010	CUSTOMER DRAWING		
4 PLC	±	SCALE 2:1 SHEET 1 OF 2 REV B		
ANGLES	±2	RESTRICTED TO		
FINISH	3	-		

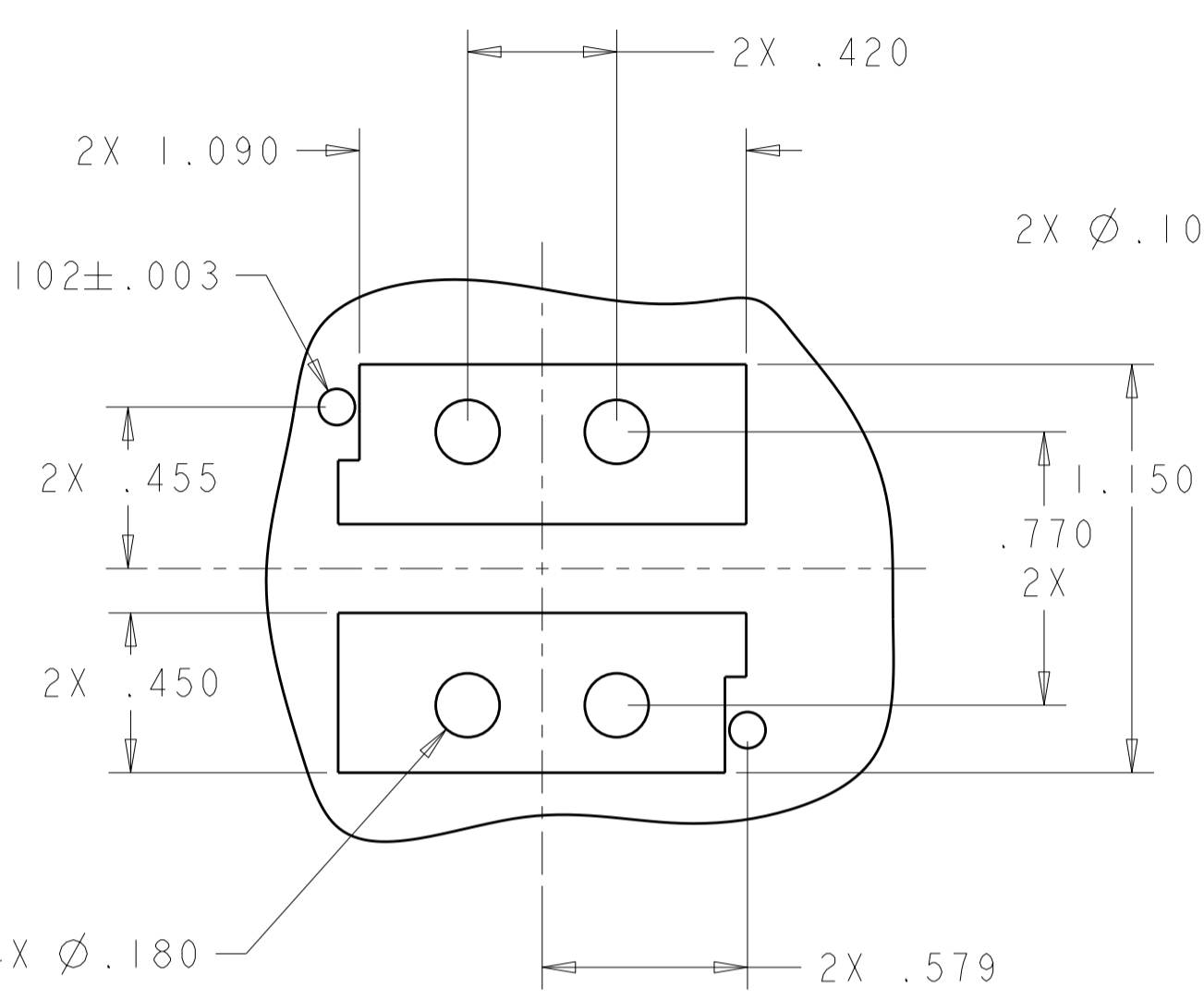
AS SHOWN	1926671-1
DESCRIPTION	PART NO.
Tyco Electronics Harrisburg, PA 17105-3608	
NAME: DUAL CROWN CLIP No. 6 MOUNTING CLIP WITH LOCATOR	
SIZE	CAGE CODE
A200779	C-1926671

THIS DRAWING IS UNPUBLISHED. RELEASED FOR PUBLICATION 20
 © COPYRIGHT 20 BY TYCO ELECTRONICS CORPORATION. ALL RIGHTS RESERVED.

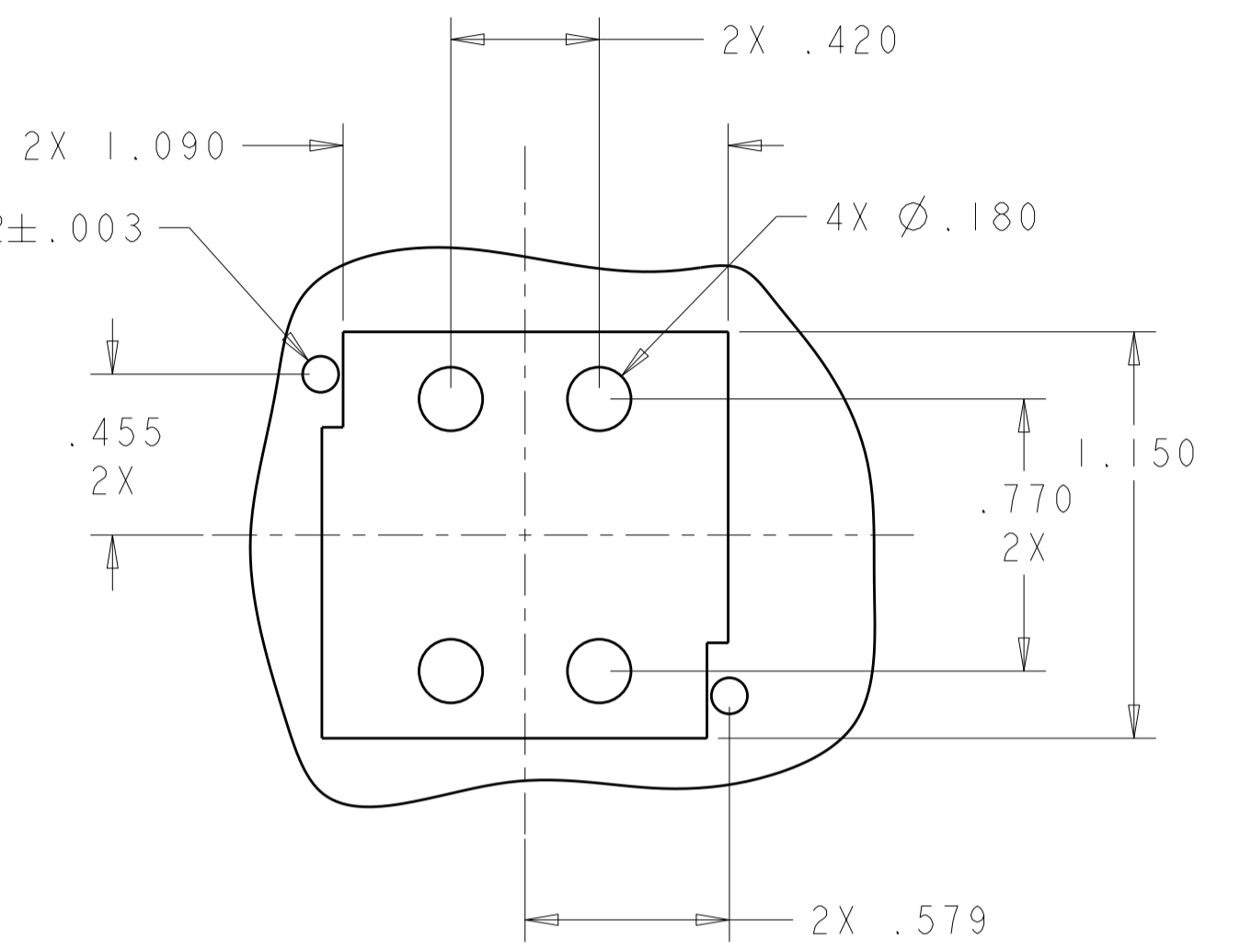
LOC	DIST	REVISIONS			
P	LTR	DESCRIPTION	DATE	DWN	APVD
GP	00	-	SEE SHEET 1	-	-



BOTTOM FEED THRU

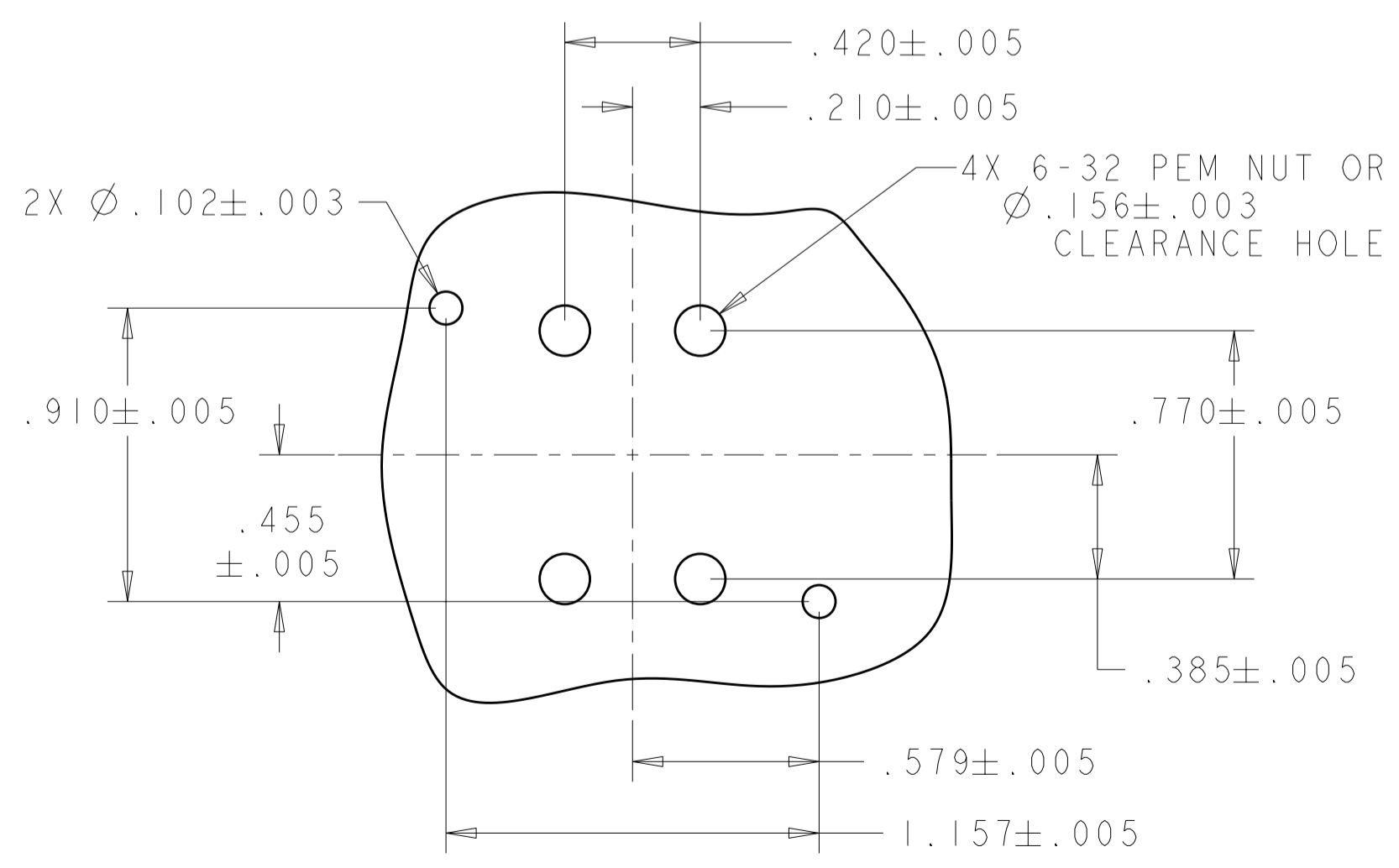


SINGLE POLE



DOUBLE POLE

PRINTED CIRCUIT BOARD LAYOUT
 COMPONENT SIDE



BUSBAR LAYOUT DOUBLE POLE

THIS DRAWING IS A CONTROLLED DOCUMENT FOR TYCO ELECTRONICS CORPORATION. IT IS SUBJECT TO CHANGE AND THE CONTROLLING ENGINEERING ORGANIZATION SHOULD BE CONTACTED FOR THE LATEST REVISION.		DWN R. GRZYBOWSKI 28 JAN 2008	Tyco Electronics Harrisburg, PA 17105-3608	
DIMENSIONS: INCHES		CHK S. FLICKINGER 28 JAN 2008	NAME DUAL CROWN CLIP No. 6 MOUNTING CLIP WITH LOCATOR	
TOLERANCES UNLESS OTHERWISE SPECIFIED: 0 PLC ± 1 PLC ± 2 PLC ±.01 3 PLC ±.010 4 PLC ± ANGLES ±2 FINISH		APVD S. FLICKINGER 28 JAN 2008	RESTRICTED TO	
MATERIAL		PRODUCT SPEC	SIZE A200779	CAGE CODE C-1926671
		APPLICATION SPEC	DRAWING NO	
		WEIGHT	SHEET 2 OF 2	
		CUSTOMER DRAWING	REV B	
		SCALE 2:1		