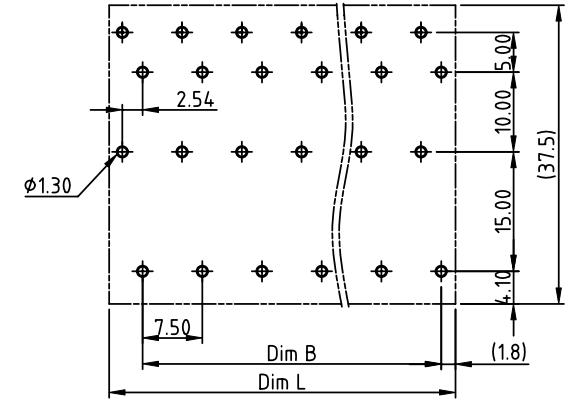
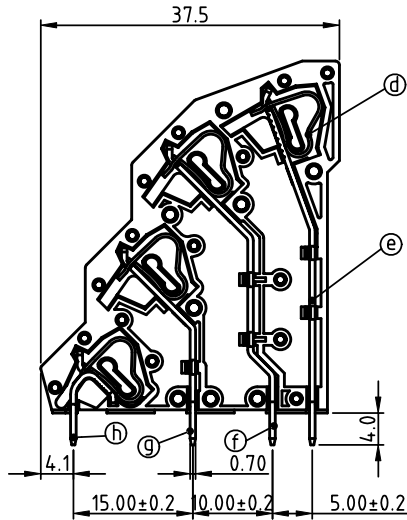
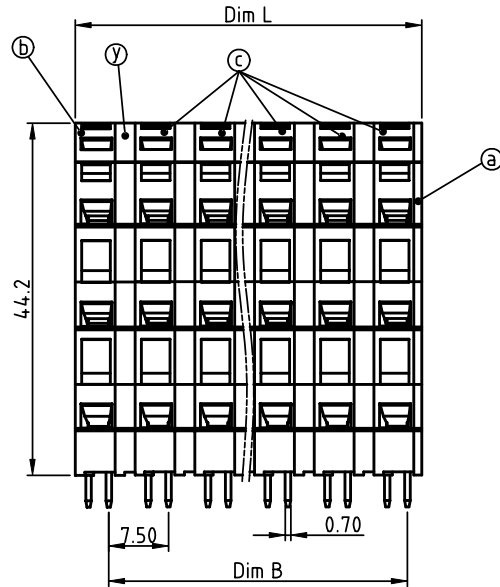


PRODUCT NUMBER	PITCH
HSxx10x100J0G	7.50mm



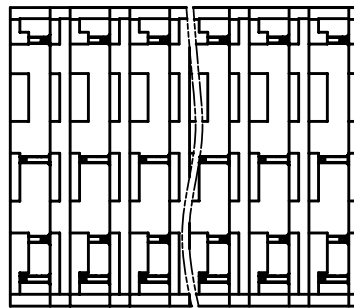
RECOMMENDED P.C.B LAYOUT
TOP VIEW

Material:

- Item ① Insulator (Cover): Thermoplastic (UL94V-0)
- Item ② Insulator (Side housing): Thermoplastic (UL94V-0)
- Item ③ Insulator (Middle housing): Thermoplastic (UL94V-0)
- Item ④ Spring clamp: Stainless steel
- Item ⑤ Solder Pin (The fourth layer): Brass, Tin plated
- Item ⑥ Solder Pin (The third layer): Brass, Tin plated
- Item ⑦ Solder Pin (The second layer): Brass, Tin plated
- Item ⑧ Solder Pin (The first layer): Brass, Tin plated
- Item ⑨ Insulator (pad board): Thermoplastic (UL94V-0)

Electrical:

- Voltage rating: 300V
- Current rating: 10A
- Wire range:
 - Solid wire (AWG): 12-28
 - Stranded wire (AWG): 12-28
 - Wire strip length: 6-7mm
- Withstanding Voltage: 1.6KV
- Operating temperature: -40°C to +115°C
- Soldering temperature: 260°C±5°C/5 Sec
- Safety Approval: cULus



N=Number of poles
Dim L=N/4×7.50+1.0
Dim B=(N/4-1)×7.50

Poles	Dim L	Dim B
4×2p-4×4p	±0.15	±0.15
4×5p-4×8p	±0.25	±0.25
4×9p-4×12p	±0.35	±0.30
4×12p-4×16p	±0.45	±0.40

PART NO.: HS xx 10 x 100J0 G

No. of poles	Color	RoHS compliant
0	Black (RAL9005)	(lead<4%) In copper Alloy
08 4x2 poles	2 Red (RAL3001/D)	
12 4x3 poles	3 Orange (RAL2011/P)	
...	4 Yellow (RAL1018/A)	
...	5 Green (RAL6018/T)	
64 4x16 poles	6 Blue (RAL5015/A)	
	8 Grey (RAL7004/P)	
	9 White (RAL1102)	
	C Multiple colors	

mat'l. code		surface ASME Y14.5	tolerance ASME Y14.5	projection	product family TERMINAL BLOCK
ltr	ecn no	dr	date		title TERMINAL BLOCK SPRING CLAMP, 45D WIRE INLET, 4-LEVEL, INTERLACE TYPE
tolerances unless otherwise specified				MM	scale
angles		X.±0.5			
fil		X.X±0.3			
X°±1°		X.XX±0.1			
dr	EVIN ZHONG	053014			
enr	EVIN ZHONG	053014			
chr	HANKE FENG	053014			
appd	SHI JUN	053014			
sheet index	revision sheet	A	1	FCI	dwg no HSxx10x100J0G sheet 1 of 1 size A4
				type	CUSTOMER Drawing