

SIGN	DATE	DESCRIPTION	APPROVER
------	------	-------------	----------

THIS IS CAD DRAWING, DO NOT REVISE MANUALLY!!!

Material:

- Insulator(housing): Thermoplastic (UL94V-0)
- Wire guard: Stainless steel
- Terminal Body(contact pin): PhBz.
- Insulator(Cover): Thermoplastic (UL94V-0)

Electrical:

- Voltage rating: 300 V
- Current rating: 15 A
- Wire range:
 - Solid wire(AWG): 12-28
 - Stranded wire(AWG): 12-28
- Wire strip length: 6-7 mm
- Withstanding Voltage: 1.6KV
- Operating temperature: -33°C to +105°C

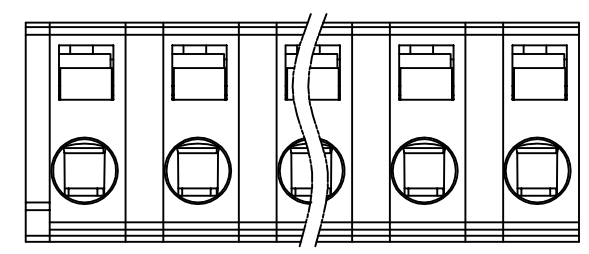
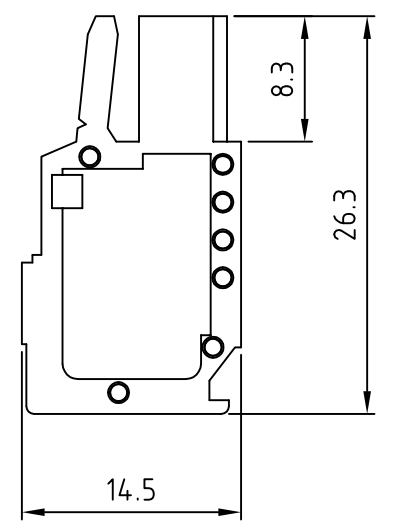
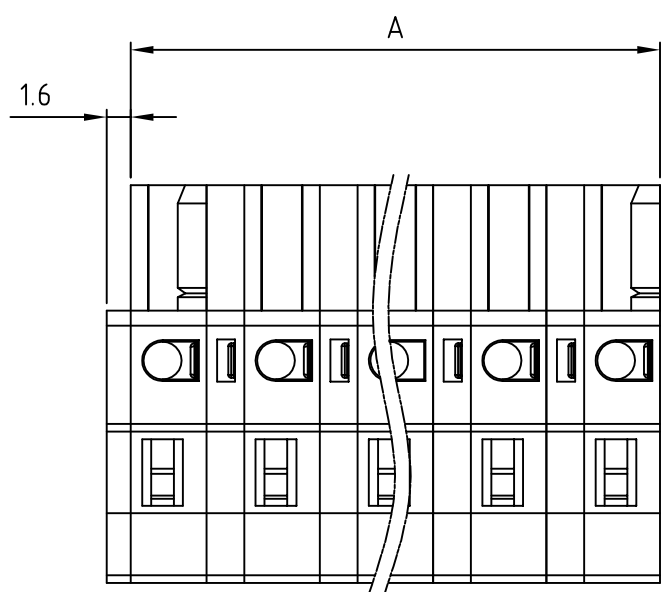
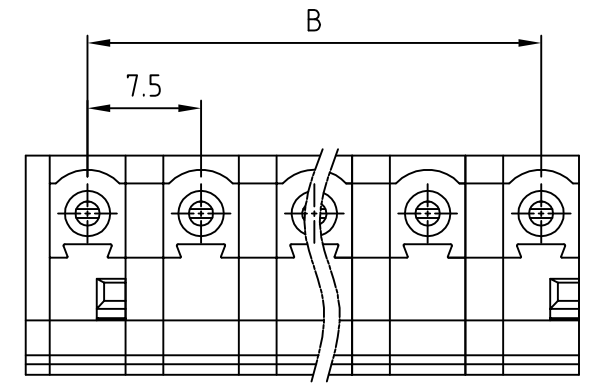
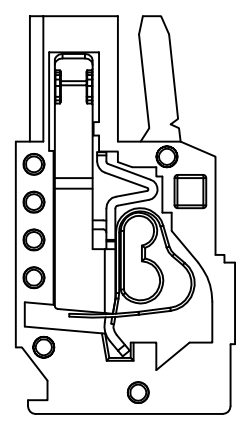
RoHS Compliant

PART NUMBER:

OSTHIXX2051

- No. of Poles
- 02: 2 Poles
 - 03: 3 Poles
 -
 - 16: 16 Poles

- COLOR:
- 0: Black
 - 5: Green (Standard)
 - 6: Blue
 - 8: Grey



POLE		2	3	4	5	6	7	8
A		12.50	20.00	27.50	35.00	42.50	50.00	57.50
B		7.50	15.00	22.50	30.00	37.50	45.00	52.50
Tol.		±0.10			±0.15			
POLE	9	10	11	12	13	14	15	16
A	65.00	72.50	80.00	87.50	95.00	102.50	110.00	117.50
B	60.00	67.50	75.00	82.50	90.00	97.50	105.00	112.50
Tol.		±0.20			±0.30			

THESE DRAWINGS AND SPECIFICATIONS ARE THE PROPERTY OF ON-SHORE TECHNOLOGY, INC. AND SHALL NOT BE REPRODUCED, COPIED OR USED IN ANY MANNER WITHOUT THE PRIOR WRITTEN CONSENT OF ON-SHORE TECHNOLOGY, INC.



TITLE		OSTHI 7.5mm With Pillar Series					
PART NO.		OSTHIXX2051		DWG NO.		OSTHIXX2051.DWG	
APPROVED	CHECKED	DESIGNED	DRAWN	CUST NO.		Tolerance	
		Tony 2007.12.04	Tony 2007.12.04			X.	±0.50
						X.X	±0.30
						X.XX	±0.10
						X°	±1°
				SHEET: 01/01		UNIT: mm	
						SCALE: NONE	
						REV.: B	