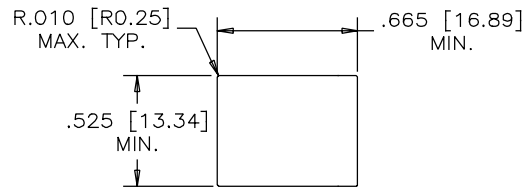
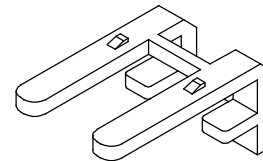


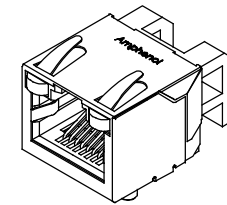
TOP VIEW



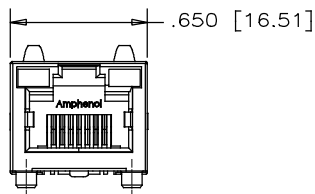
RECOMMENDED PANEL CUTOUT



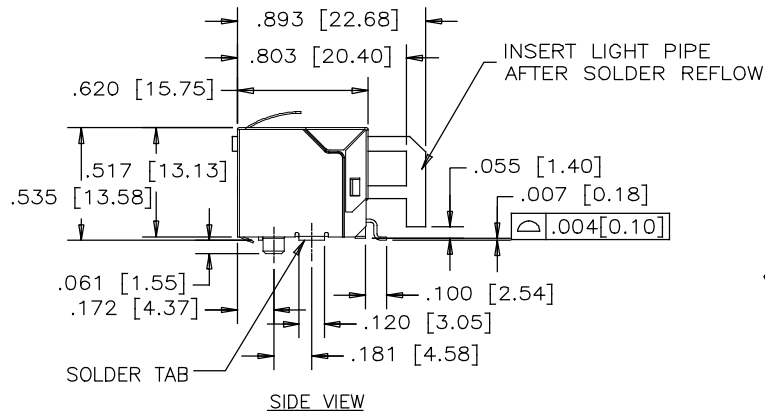
LIGHT PIPE



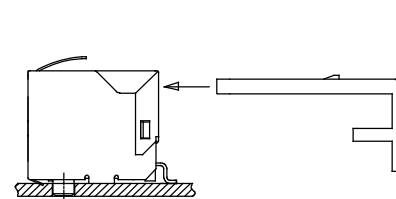
FINISH CONNECTOR



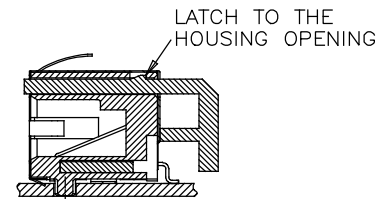
FRONT VIEW



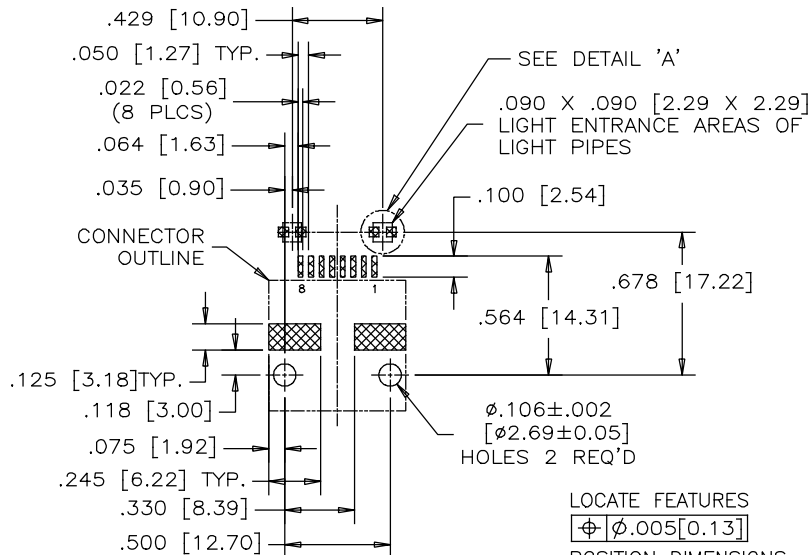
SIDE VIEW



AFTER SOLDER REFLOW, LOAD LIGHT PIPE THROUGH THE CONNECTOR REAR ACCESS IN THE DIRECTION AS SHOWN

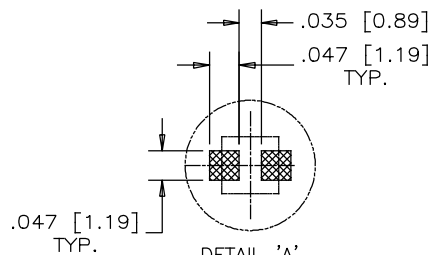


LATCH TO THE HOUSING OPENING



RECOMMENDED P.C.B. LAYOUT (COMPONENT SIDE OF BOARD)

LOCATE FEATURES
 $\phi .005 [0.13]$
 POSITION DIMENSIONS ARE BASIC



DETAIL 'A' (ENLARGED)
 SMT LED SOLDER PAD (SMT LED TO BE PROVIDED BY THE CUSTOMER)

- MATERIALS:
 PLASTIC HOUSING: ENGINEERING THERMOPLASTIC
 FLAMMABILITY RATING UL 94V-0
- CONTACTS:
 PHOSPHOR BRONZE
 PLATING: 20 μ " [1.27 MICRONS]
 MIN. GOLD ON MATING SURFACES.
 50 μ " [1.27 MICRONS]
 MIN. NICKEL UNDERPLATE.
 100 μ " [2.54 MICRONS]
 MIN. MATTE TIN ON CONTACT
- TAILS.
- SHIELD: COPPER ALLOY
 PLATING: NICKEL
- LIGHT PIPE: CLEAR POLYCARBONATE
 FLAMMABILITY RATING UL 94V-0

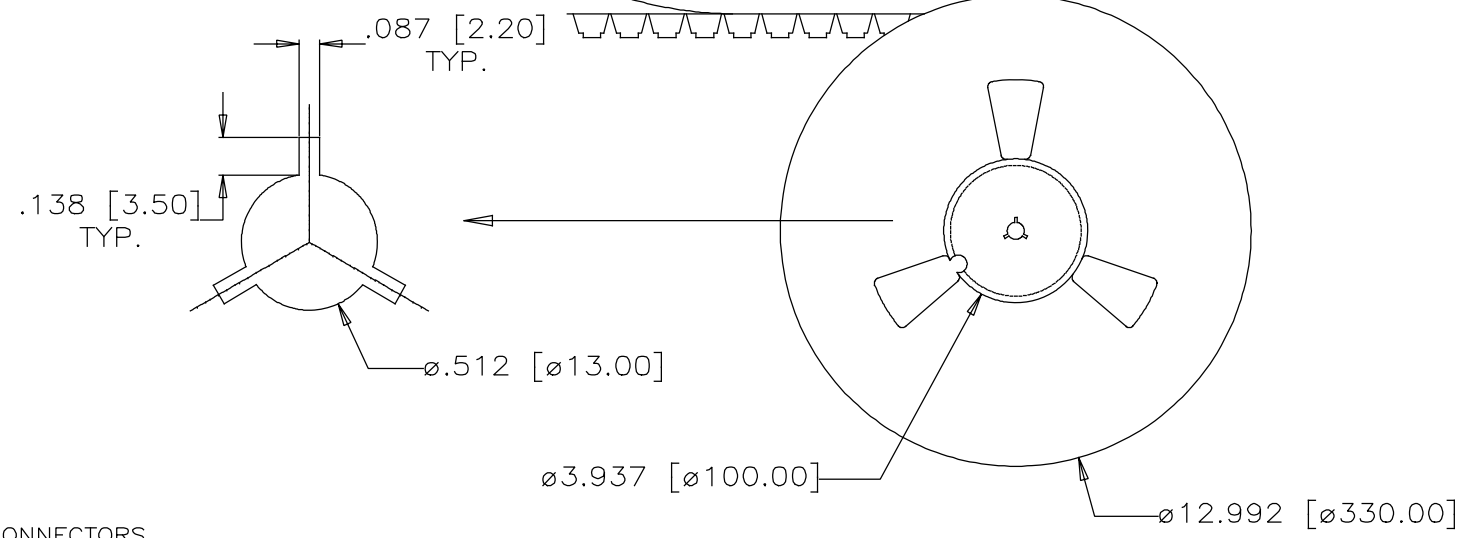
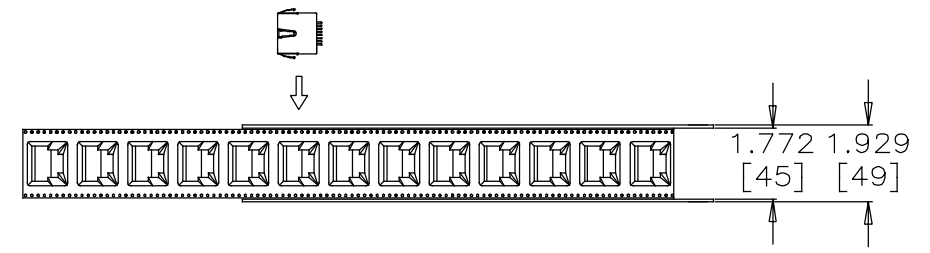
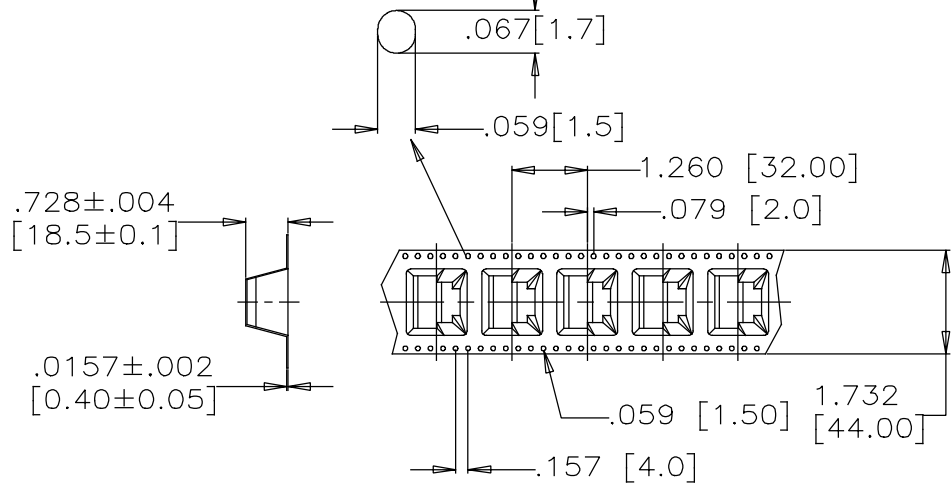


PART NUMBER: RJSSE-5381-01T

MATERIAL -----	DRAWN L.DENG	DATE 05/04/08	Amphenol Canada Corp.
	DESIGNED L.DENG	05/04/08	
FINISH -----	CHECKED		TITLE
	I. E. APPRD.		SINGLE PORT, SURFACE MOUNT RJ45
	Q. A. APPRD.		8 POSITION, 8 CONTACTS, SHIELDED
	DWG. APPRD.		WITH LIGHT PIPE, TAPE & REEL PACKAGING
	ENG. REL. NO.		DWG
	REF.		DRAWING NO.
	DIMENSIONS ARE IN INCHES [mm]	CODE ID. NO. 03554	P-RJSSE-5381-01T
			REV. B
			SCALE 2:1
			WT. -----
			SURF. -----
			SHEET 1 OF 1

THIS DOCUMENT CONTAINS PROPRIETARY INFORMATION AND SUCH INFORMATION MAY NOT BE DISCLOSED TO OTHERS FOR ANY PURPOSE OR USED FOR MANUFACTURING PURPOSES WITHOUT WRITTEN PERMISSION FROM AMPHENOL CANADA CORP.

REVISIONS				
SYM	ZONE	ECN, ERN NO.	DATE	APPRD.
A		PROPOSAL	2005/04/08	
B		CORRECT DIMENSION AND PACKAGING QUANTITY	2016/01/18	L.CHAN



PACKAGING NOTES:

1. ONE REEL SHOULD HOLD 100 CONNECTORS.
2. 10 EMPTY CAVITIES FOR BOTH TOP AND BOTTOM OF THE CARRIER.
3. A FULLY LOADED CARTON SHOULD CONTAIN 5 REELS (500 PCS) OF CONNECTOR.

THIS DOCUMENT CONTAINS PROPRIETARY INFORMATION AND SUCH INFORMATION MAY NOT BE DISCLOSED TO OTHERS FOR ANY PURPOSE OR USED FOR MANUFACTURING PURPOSES WITHOUT WRITTEN PERMISSION FROM AMPHENOL CANADA CORP.

MATERIAL -----	DRAWN	L.DENG	DATE	05/04/08	Amphenol Canada Corp.				
	DESIGNED	L.DENG	DATE	05/04/08					
FINISH -----	CHECKED				TITLE SINGLE PORT, SURFACE MOUNT RJ45 8 POSITION, 8 CONTACTS, SHIELDED WITH LIGHT PIPE, TAPE & REEL PACKAGING				
	I. E. APPRD.								
	Q. A. APPRD.								
	DWG. APPRD.								
	ENG. REL. NO.				DWG	DRAWING NO.	P-RJSSE-5381-01T	REV.	B
	REF.	EAR# 12663			C				
	DIMENSIONS ARE IN	INCHES [mm]	03554		SCALE	WT.	SURF.	SHEET	2 OF 2