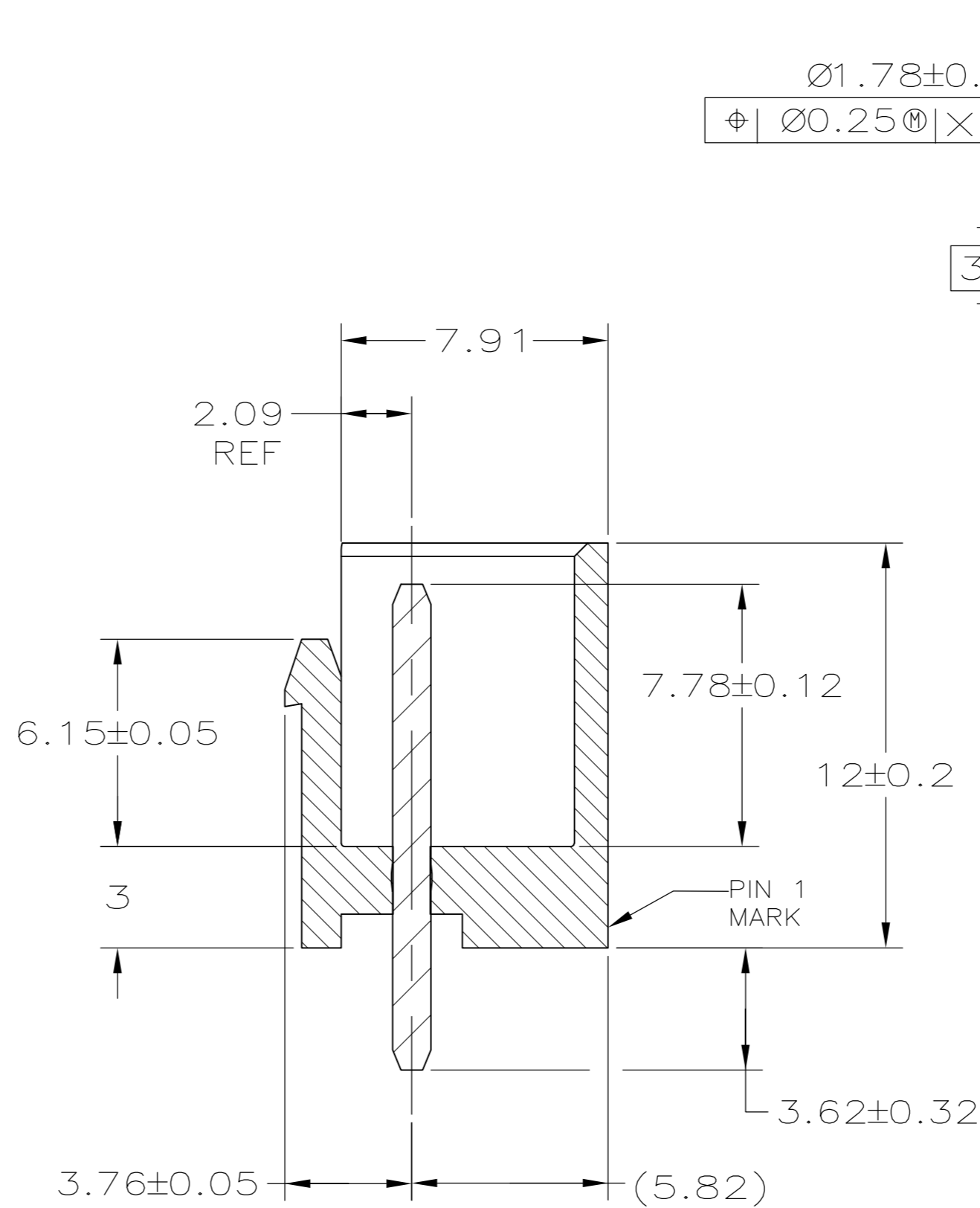
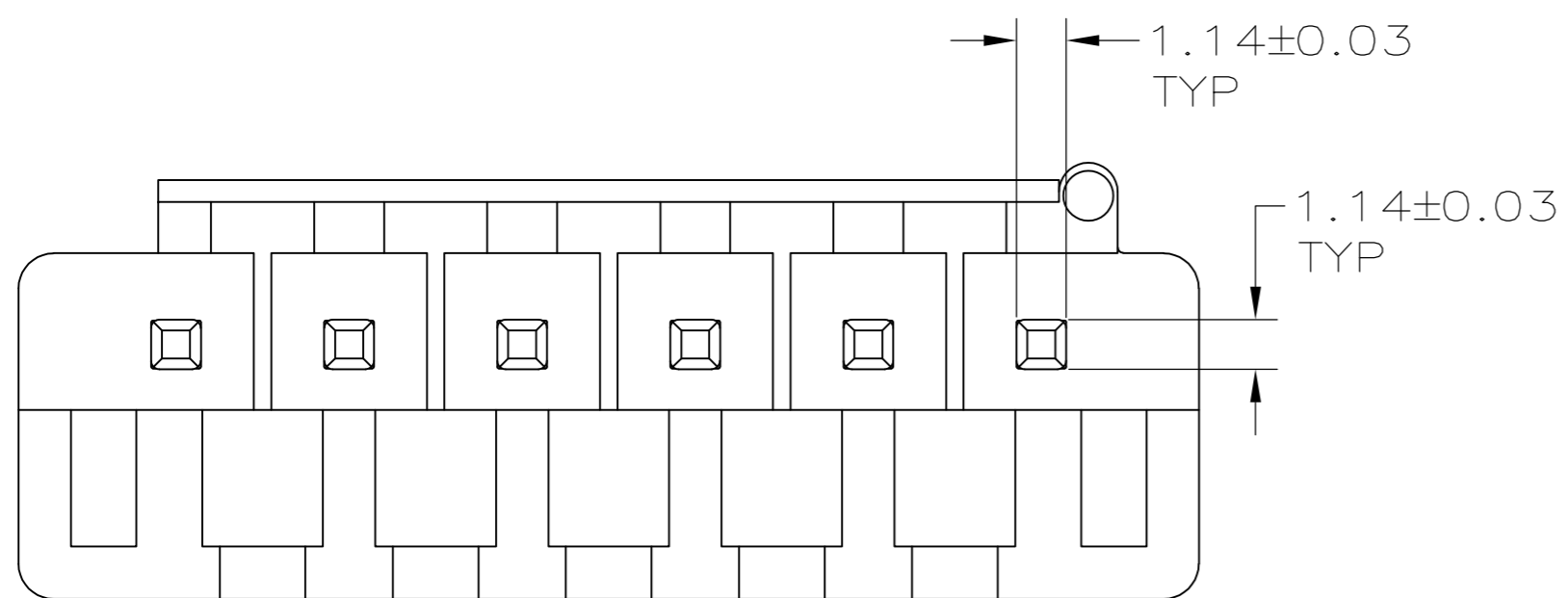
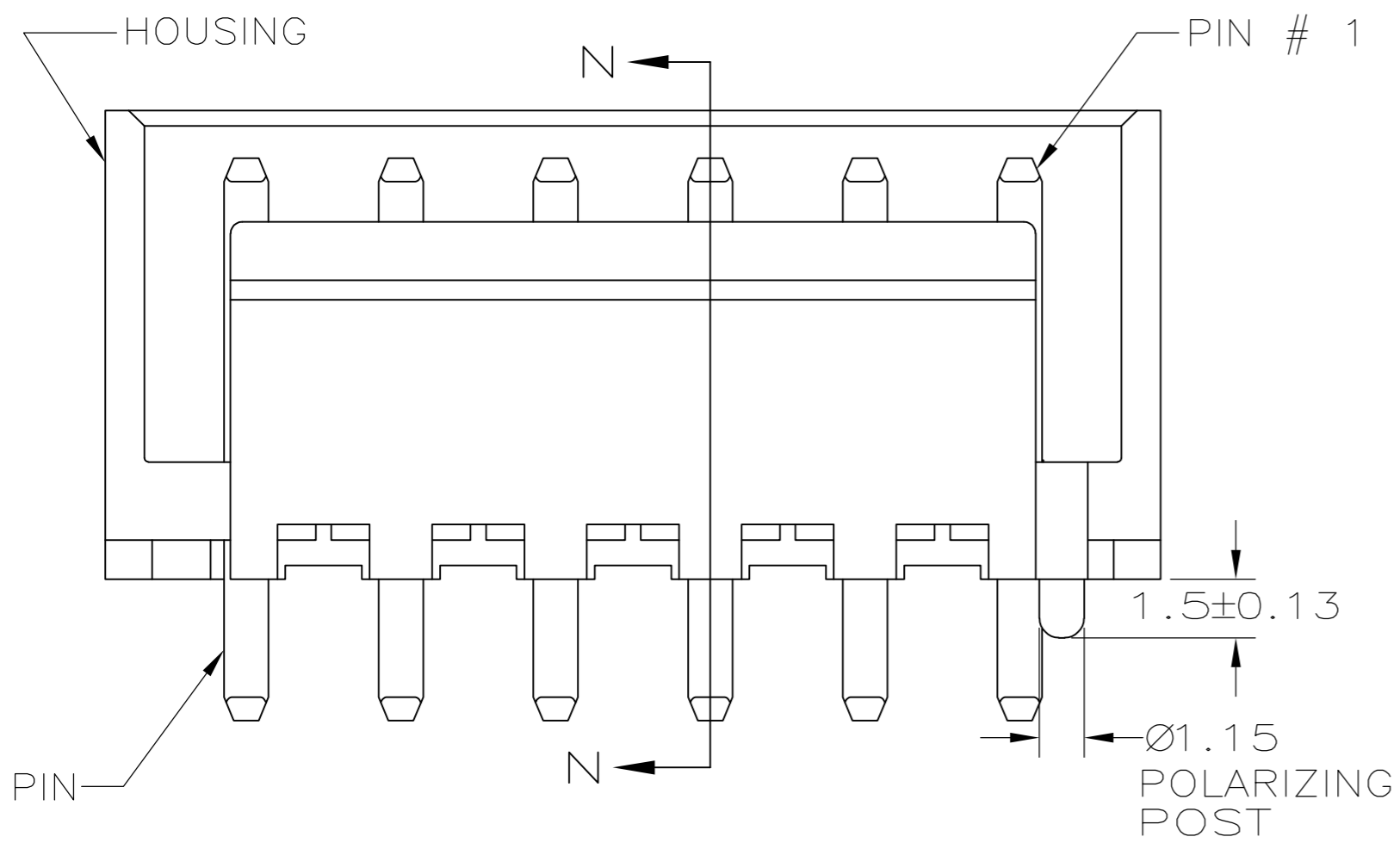
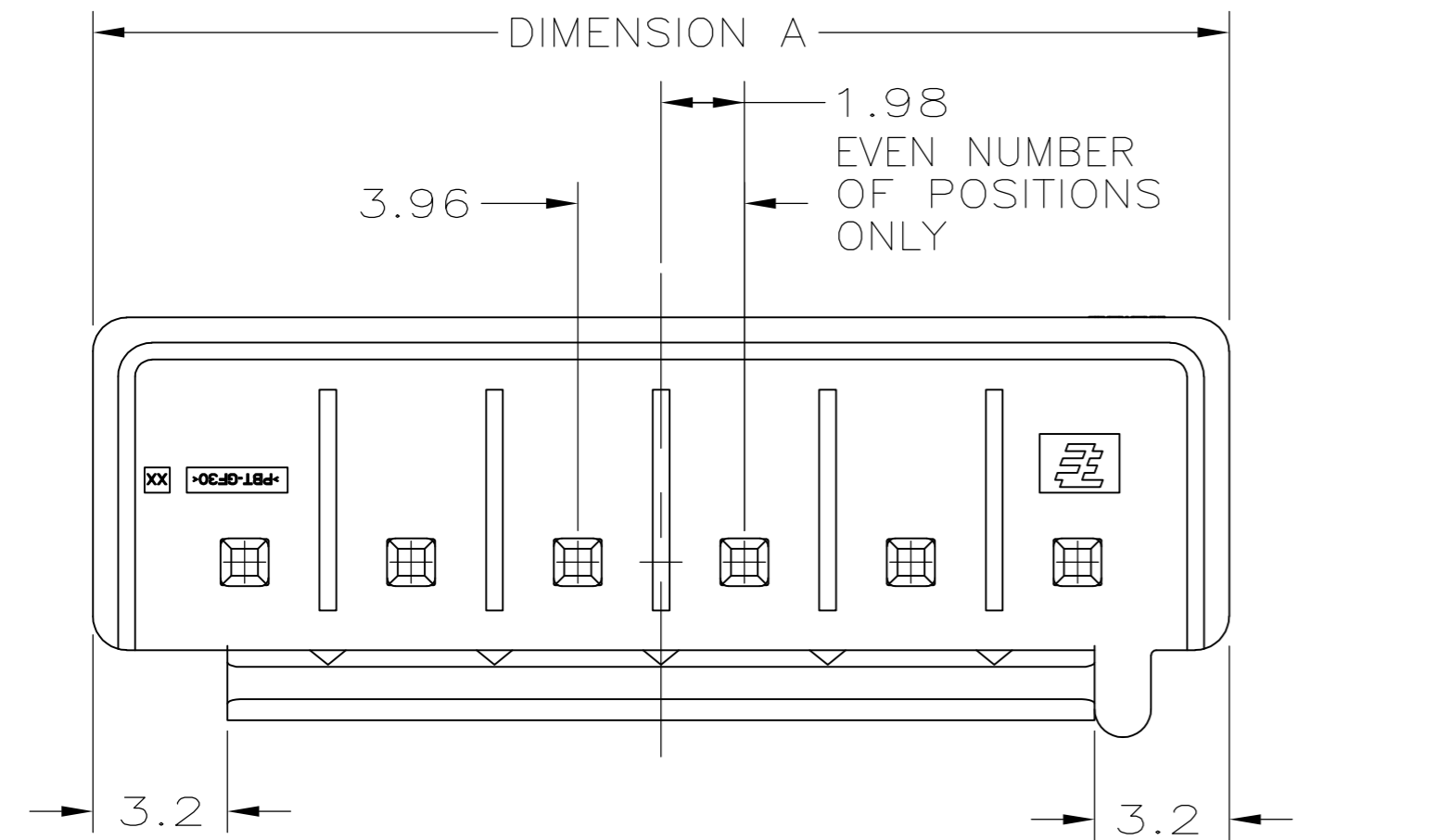
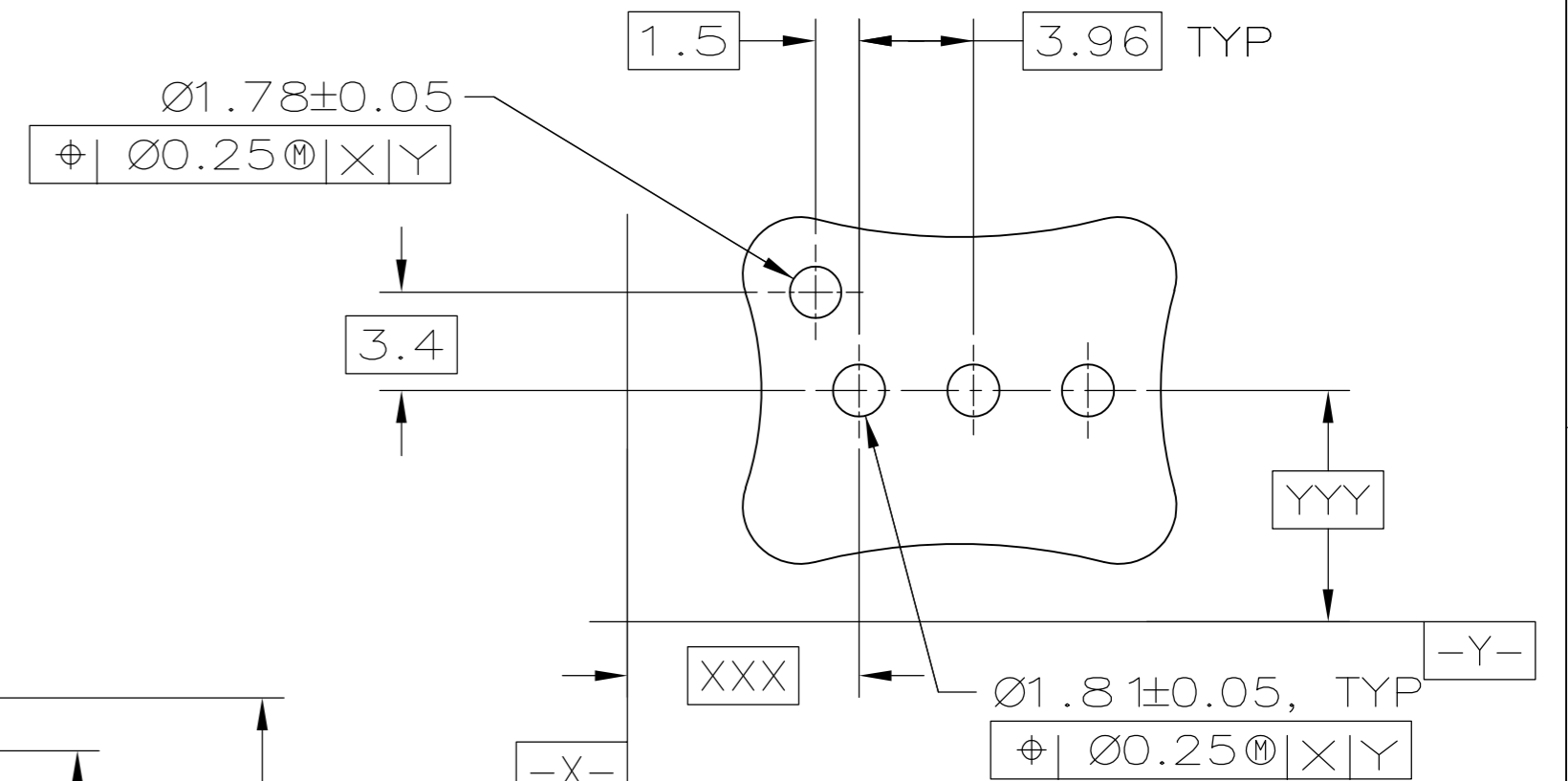


THIS DRAWING IS UNPUBLISHED. RELEASED FOR PUBLICATION - .20
 © COPYRIGHT 20 BY - ALL RIGHTS RESERVED.

REVISIONS					
P	LTR	DESCRIPTION	DATE	DWN	APVD
B1		REVISED PER ECR-16-017535	17JAN2017	O.C	D.Z



SECTION N-N



RECOMMENDED PCB LAYOUT SCALE 4:1

- 1 MATERIAL: HOUSING; NYLON GLASS FILLED UL94V-2
PIN: BRASS
- 2 FINISH: PIN, 1.0µm MIN TIN OVER 0.8µm MIN NICKEL.

- 3 PARTS TESTED TO IEC 60695-2-11 AND IS COMPLAINT TO IEC 60335-1
- 4 HOUSING MATERIAL MEETS MINIMUM GLOW WIRE FLAMMABILITY INDEX OF 850°C PER IEC 60695-2-12 AND MINIMUM GLOW WIRE IGNITION TEMPERATURE OF 775°C PER IEC 60695-2-13.

50.77	12	1-1744427-2
46.81	11	1-1744427-1
42.85	10	1-1744427-0
38.89	9	1744427-9
34.93	8	1744427-8
30.97	7	1744427-7
27.01	6	1744427-6
23.05	5	1744427-5
19.09	4	1744427-4
15.13	3	1744427-3
11.17	2	1744427-2
DIM. A	CIRCUITS	PART NUMBER

THIS DRAWING IS A CONTROLLED DOCUMENT.		DWN	JR RUTH	09JAN12
DIMENSIONS: mm		CHK	SAM MACE	09JAN12
TOLERANCES UNLESS OTHERWISE SPECIFIED:		APVD	SAM MACE	09JAN12
0 PLC	± -	PRODUCT SPEC		
1 PLC	± -	APPLICATION SPEC		
2 PLC	± 0.10	-		
3 PLC	± -	-		
4 PLC	± -	-		
ANGLES	± -	-		
FINISH	± -	-		
MATERIAL	1	WEIGHT	0.000000	SIZE
	2	CUSTOMER DRAWING	SCALE 6:1	CAGE CODE
				DRAWING NO
				RESTRICTED TO
				A2 00779 C=1744427
				SHEET 1 OF 1
				REV B1