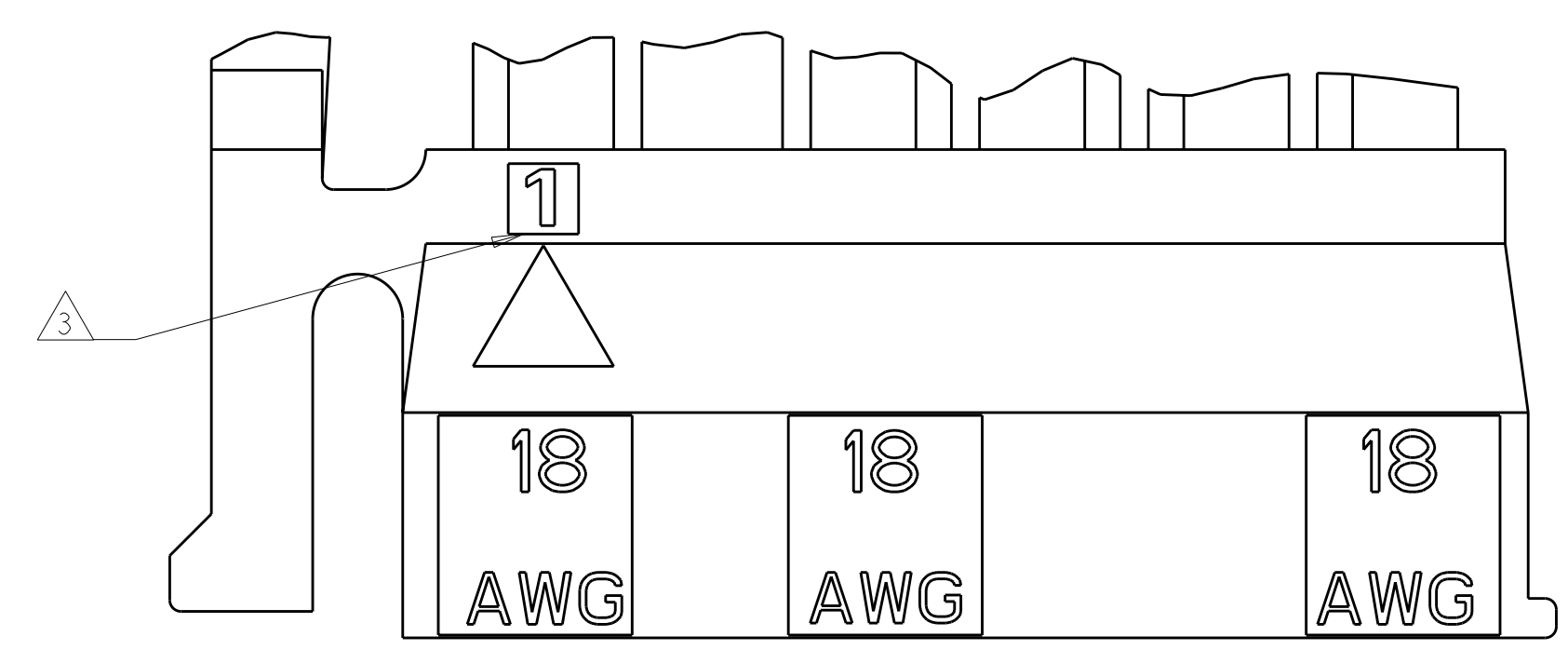
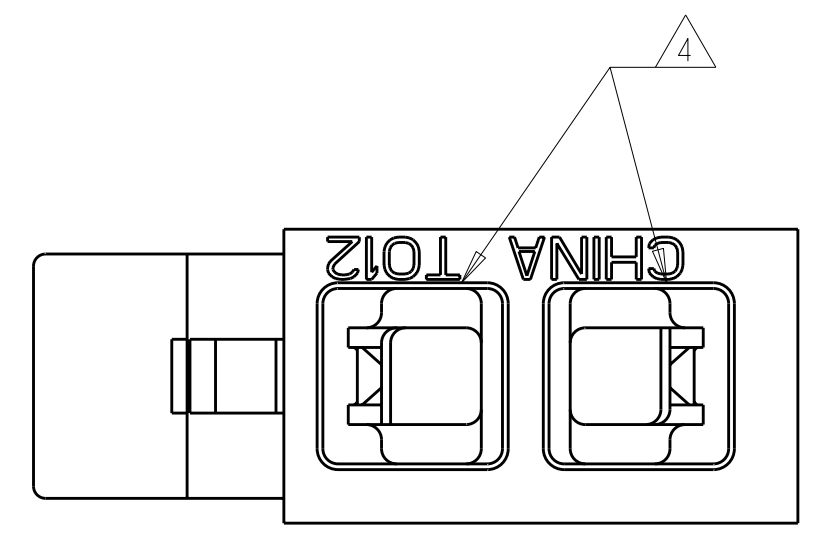


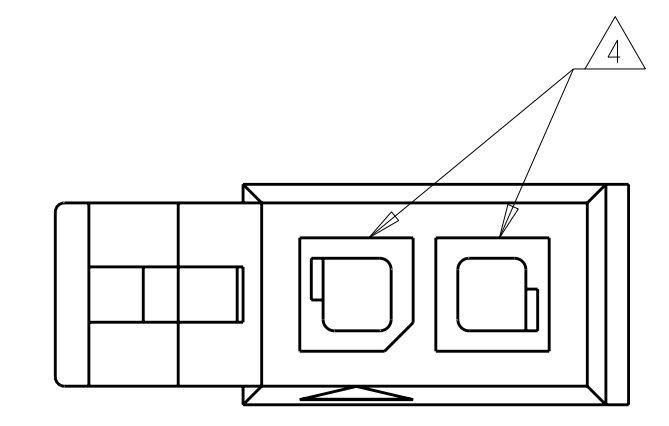
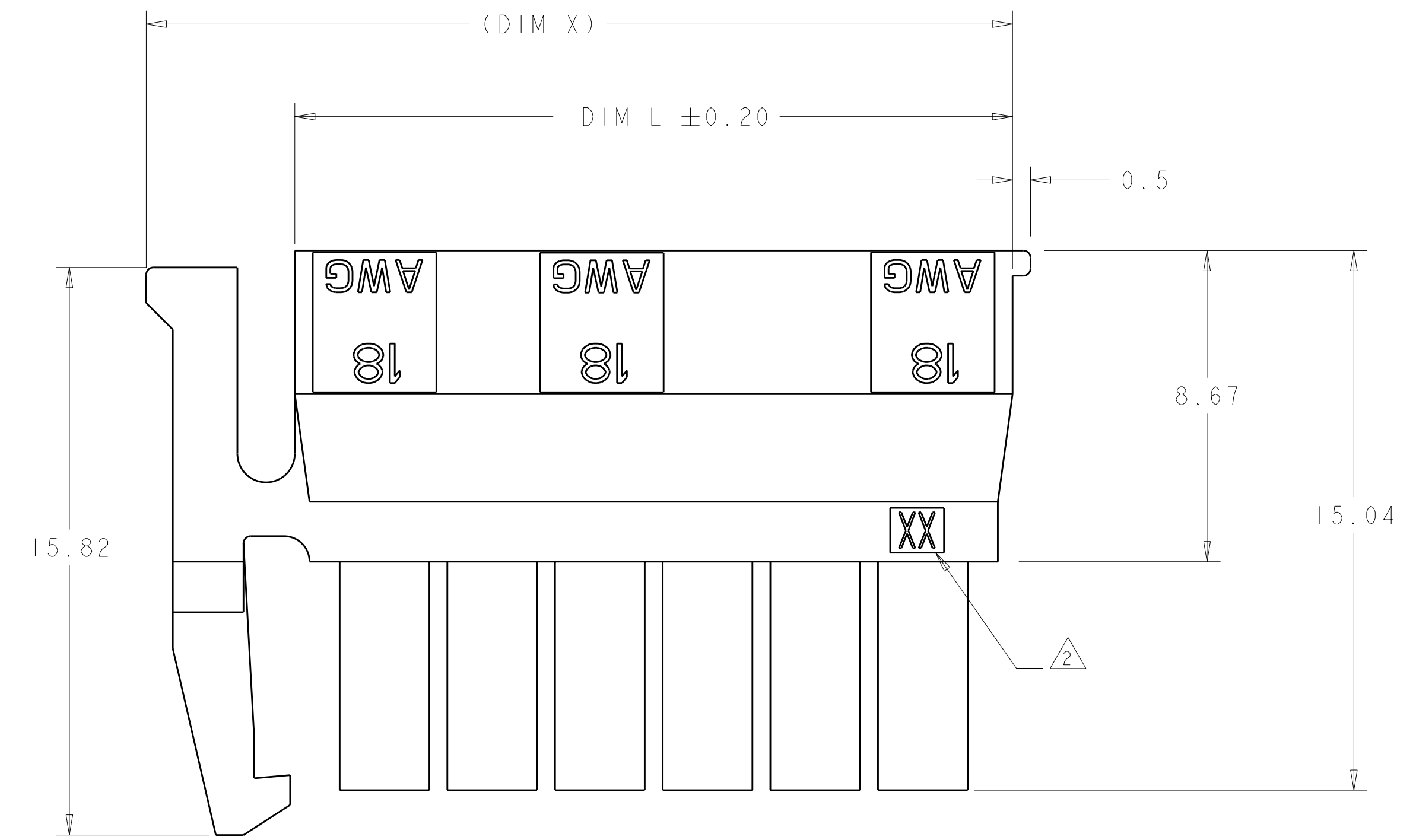
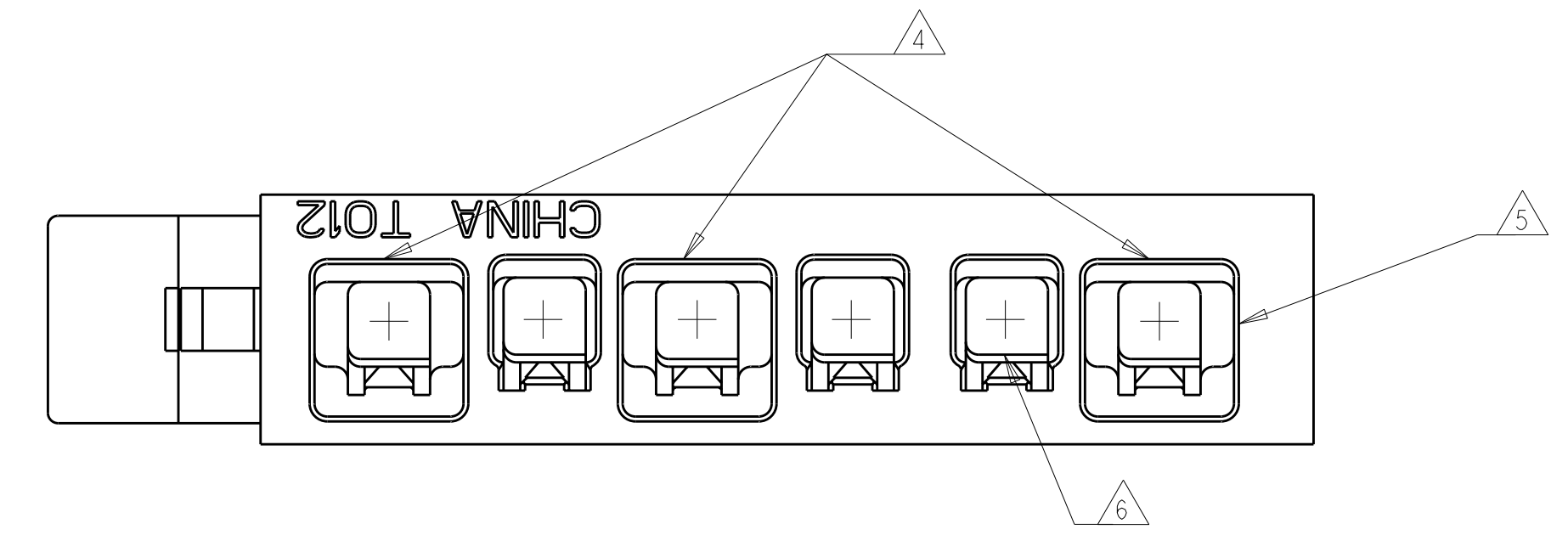
LOC	DIST	REVISIONS			
CM	0	REV	DATE	BY	APP'D
		B2	19JAN12	JR	TM



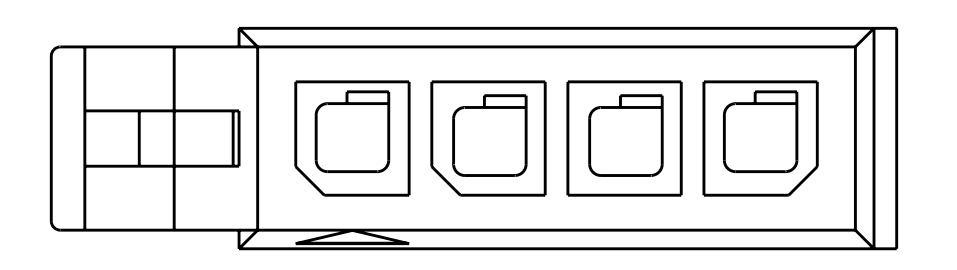
- △1 MATERIAL: NYLON,UL94V-0 COLOR- (SEE TABLE).
- △2 LAST CIRCUIT IDENTIFIER LOCATED IN APPROX AREA SHOWN.
- △3 CIRCUIT 1 ID LOCATED IN APPROX AREA SHOWN.
- △4 THE TWO END CAVITIES ARE ENLARGED TO ALLOW INSERTION OF 18 AWG RECEPTACLE CONTACT. FOR 2 CIRCUIT HOUSINGS THESE CAVITIES WILL BE ROTATED 90° FROM SHOWN POSITION AND 180° WITH RESPECT TO EACH OTHER. FOR 5 AND 6 CIRCUIT HOUSINGS CIRCUIT 3 IS ALSO ENLARGED TO ALLOW INSERTION OF 18 AWG RECEPTACLE CONTACT.
- △5 FOR WIRE INSULATION 2.80 MAX OD.
- △6 FOR WIRE INSULATION 1.90 MAX OD.



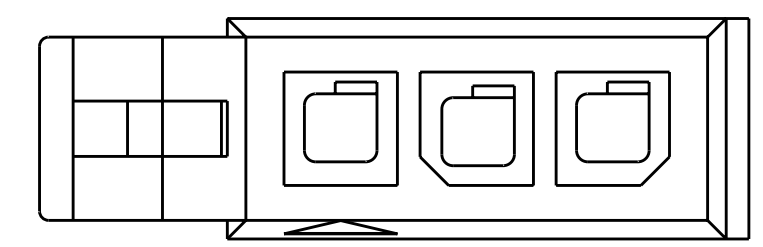
2 CIRCUIT WIRE END VIEW



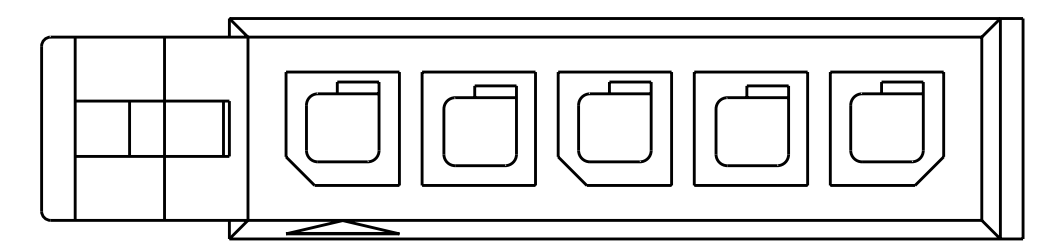
2 CIRCUIT



4 CIRCUIT

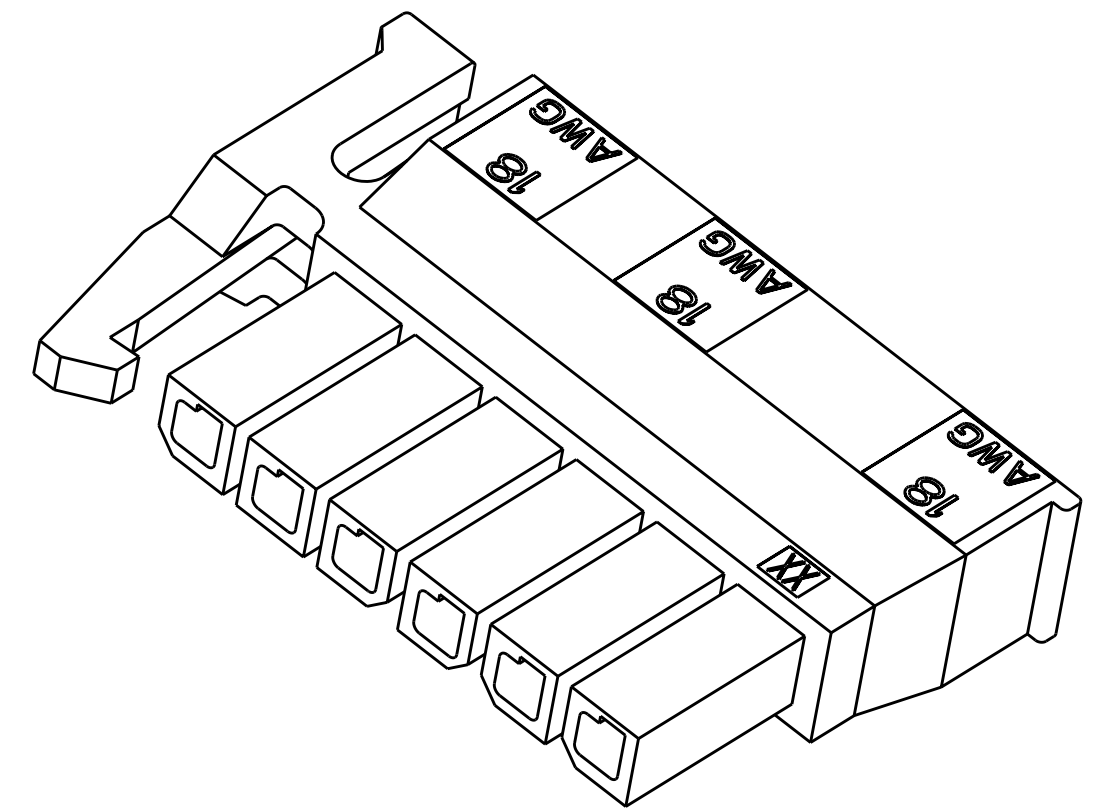
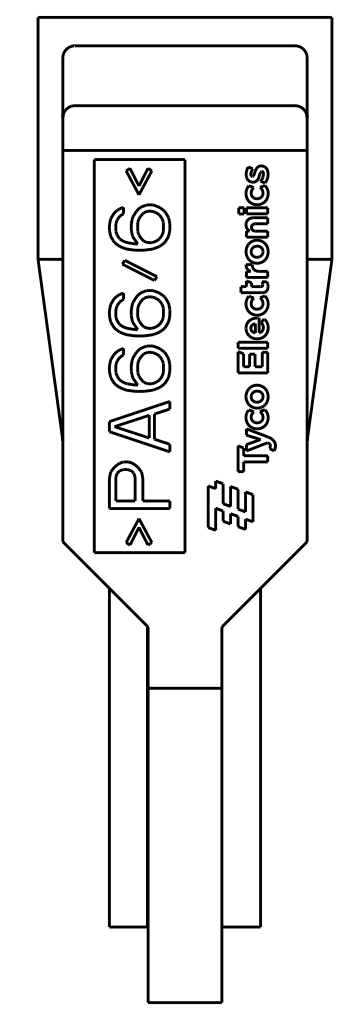


3 CIRCUIT

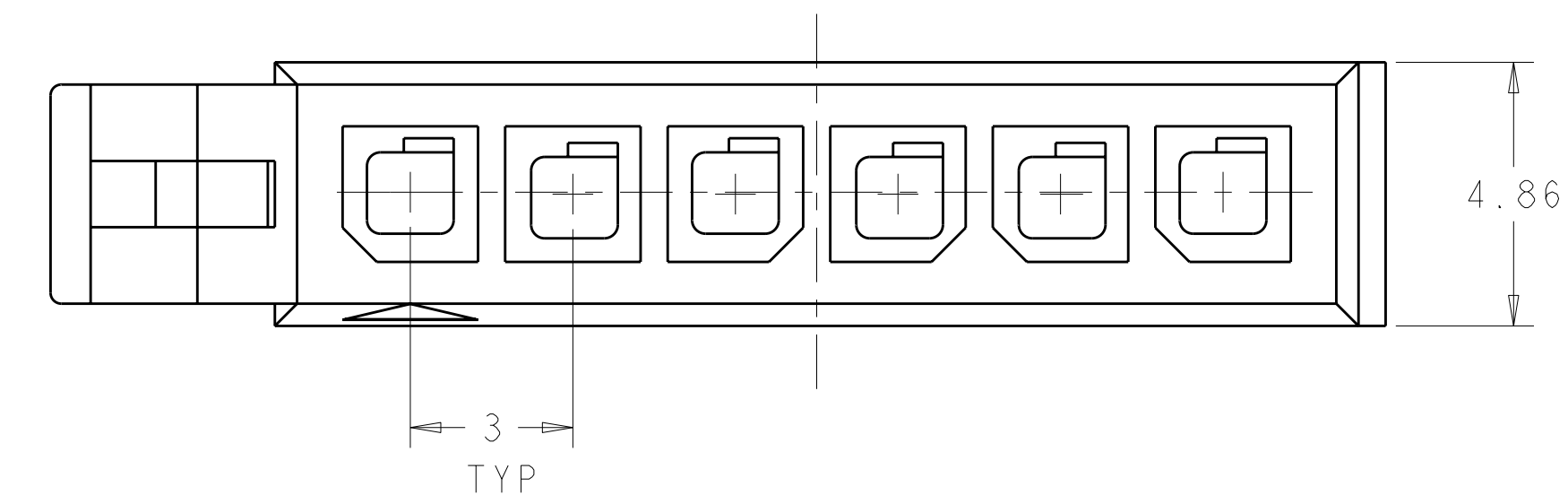


5 CIRCUIT

KEYING CONFIGURATIONS
SCALE 6:1



SCALE 5:1



VOLUME mm ³	DIM X	DIM L	NO. OF POS.	COLOR	PART NUMBER
688.4	24.14	20.00	6	NATURAL	1-2008570-6
596.54	21.14	17.00	5	NATURAL	1-2008570-5
502.15	18.14	14.00	4	NATURAL	1-2008570-4
433.37	15.14	11.00	3	NATURAL	1-2008570-3
315.18	12.14	8.00	2	NATURAL	1-2008570-2
688.4	24.14	20.00	6	BLACK	2008570-6
596.54	21.14	17.00	5	BLACK	2008570-5
502.15	18.14	14.00	4	BLACK	2008570-4
433.37	15.14	11.00	3	BLACK	2008570-3
315.18	12.14	8.00	2	BLACK	2008570-2

DIMENSIONS: mm TOLERANCES UNLESS OTHERWISE SPECIFIED: 9 PLC ±0.5 5 PLC ±0.13 4 PLC ±0.13 ANGLES ±0.13 FINISH: -		DWN: R. BROWN 18MAR2008 CHK: M. McCARTHY 18MAR2008 APVD: M. McCARTHY 18MAR2008 PRODUCT SPEC: - APPLICATION SPEC: - WEIGHT: - CUSTOMER DRAWING: -		Tyco Electronics Harrisburg, PA 17105-3608 NAME: RECEPTACLE HOUSING, 2 TO 6 POSN, SINGLE ROW, MICRO MATE-N-LOK(TM), SIDE LATCH, 18 AWG SIZE: A 00779 C=2008570 SCALE: 8:1 SHEET 1 OF 1 REV: B2	
---	--	--	--	--	--

