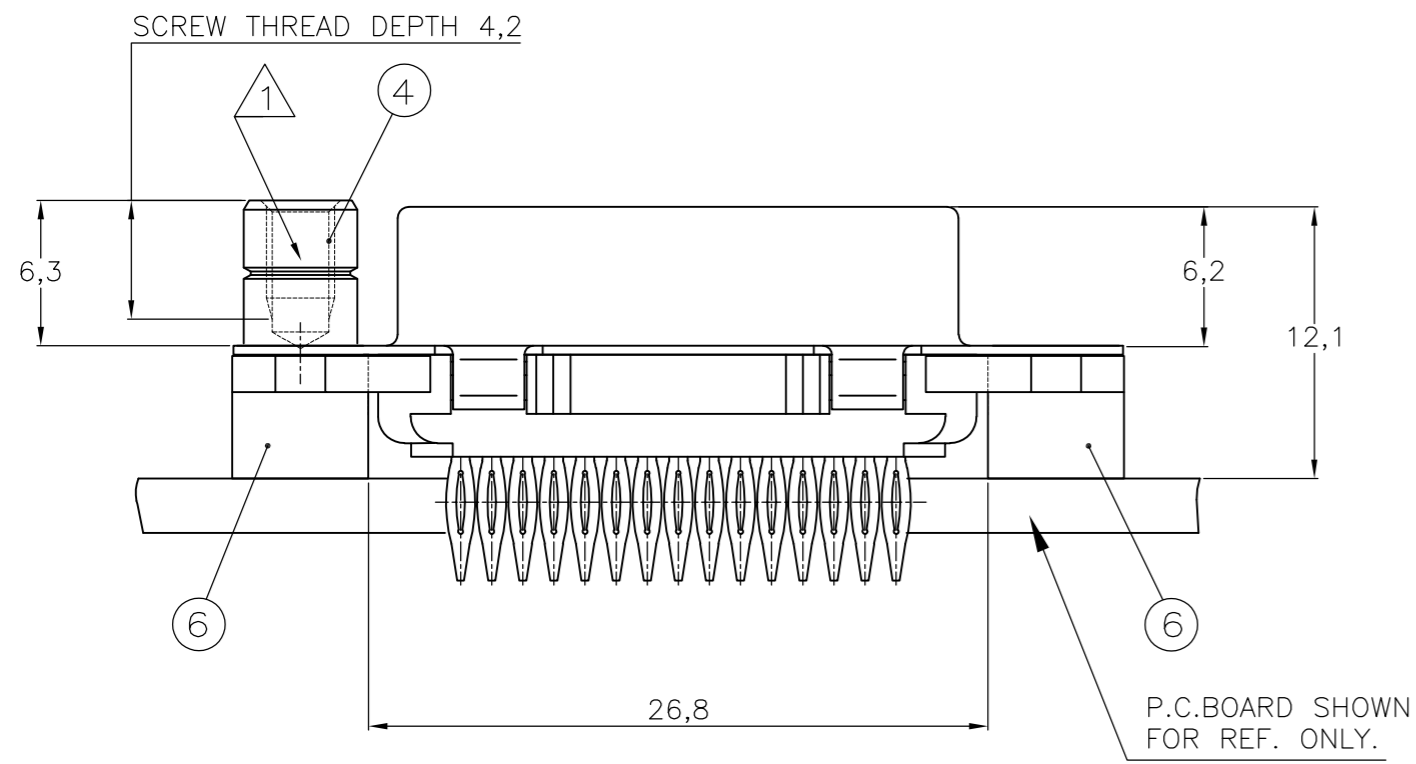
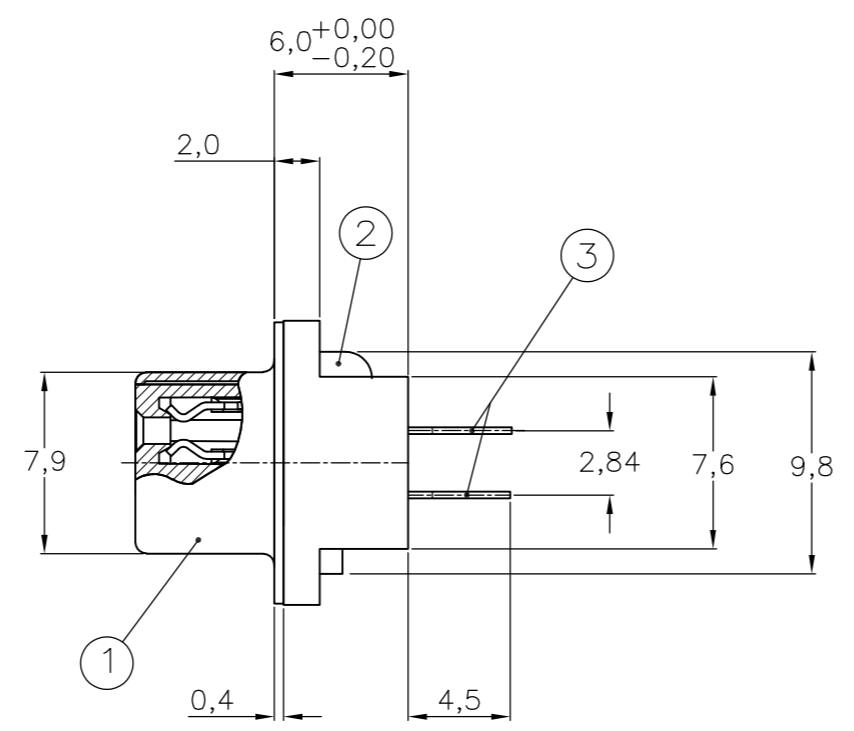
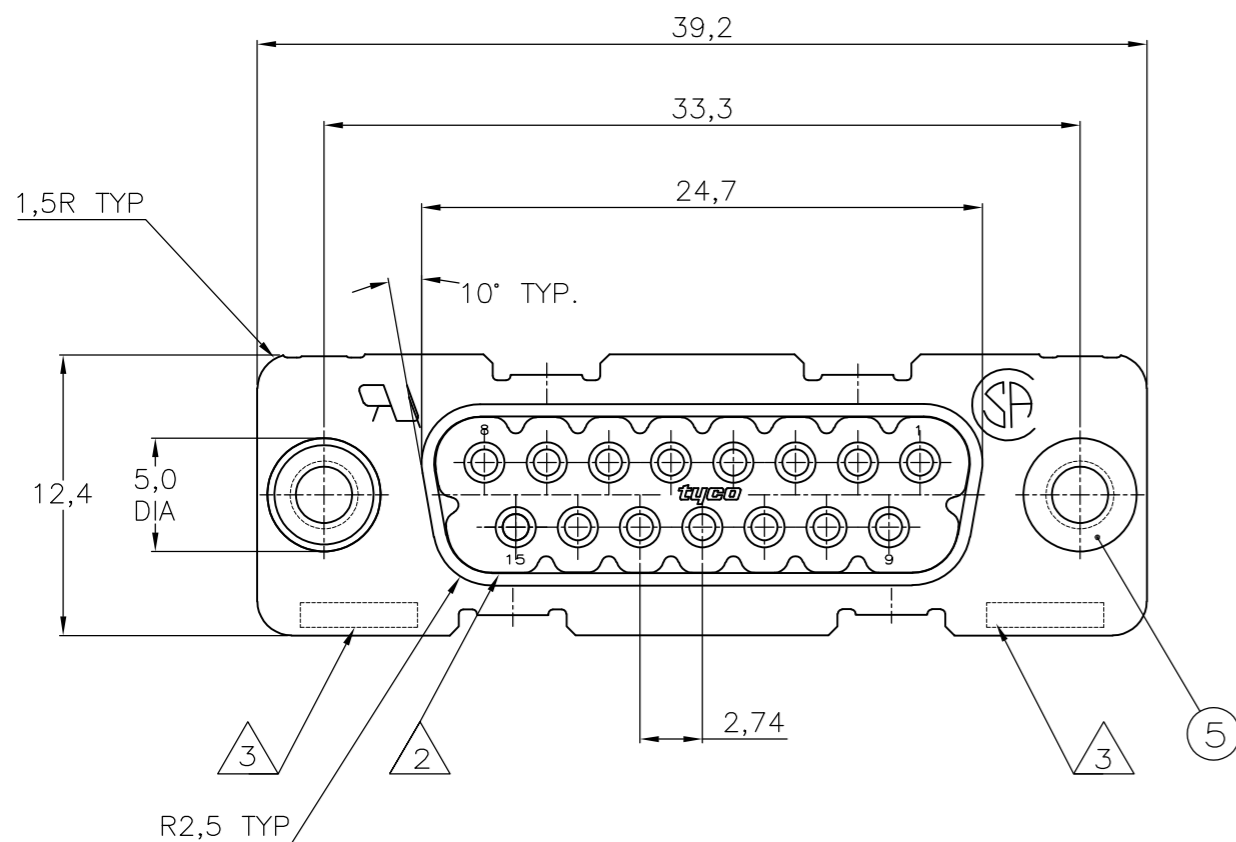


THIS DRAWING IS UNPUBLISHED. RELEASED FOR PUBLICATION
 © COPYRIGHT BY TYCO ELECTRONICS CORPORATION. ALL RIGHTS RESERVED.

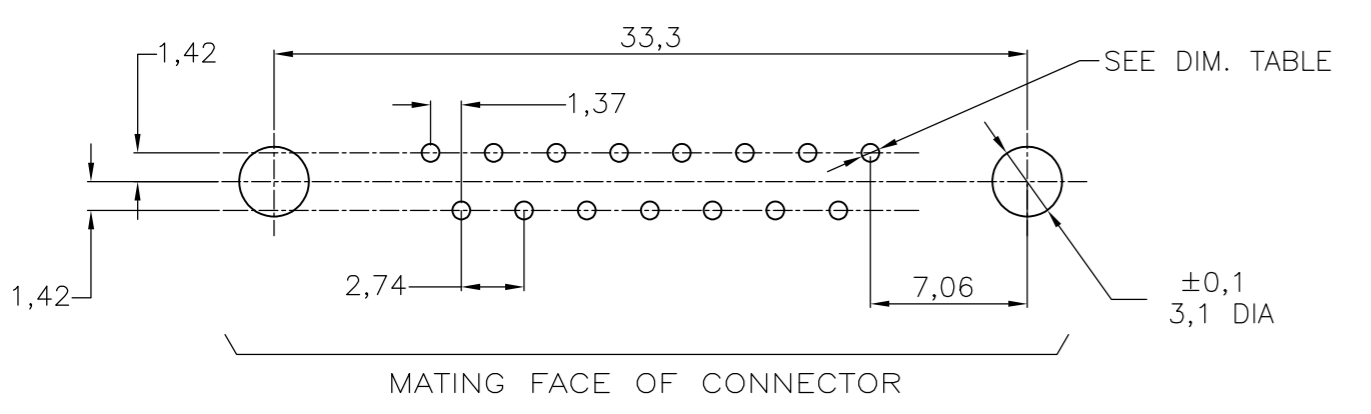
LOC	DIST	REVISIONS			
P	LTR	DESCRIPTION	DATE	DWN	APVD
H	-	ECR-06-011915	22-05-06	BSV	DC
J	-	ECR-06-016621	18-10-06	BSV	MK
J1	-	REVISED PER ECO-10-000445	03FEB10	KK	HMR



△ OBSOLETE PARTS: OBSOLETE CIS STREAMLINING PER D.RENAUD/D.SINISI

P.C.B. HOLE DIM. FOR CONTACTS		
DRILLED HOLE	: 1,15±0,025	mm
FIN. HOLE	: 0,94 to 1,09	mm
AFTER REFLOW	: 0,91 to 1,09	mm
Cu-thks	: 0,025 to 0,075	mm
SnPb-thks	: 0,004 to 0,010	mm

RECOMMENDED P.C. BOARD HOLE-LAYOUT



ACCESSORIES PREFIX "Z"	ITEM NO	DESCRIPTION OF ACCESSORY	2	2	2	2
	5	BUSHING WITH THROUGHHOLE 3,1 DIA.				
	5	BUSHING WITH THREAD 4-40 UNC				
	5	BUSHING WITH THREAD M3				
	4	FEMALE SCREWLOCK WITH 4-40 UNC				
	4	FEMALE SCREWLOCK WITH M3				

HOW TO ORDER:
 15 POS. -----> Z-338211-Y
 PREFIX FOR ACCESSORIES }
 BASIC PARTNR. }
 SUFFIX FOR PLATING } -Y = -2

PLATING SUFFIX "Y"
 GOLD OVER NICKEL AS PER PERFORMANCE LEVEL 2 (DIN 41652)
 PRESS-FIT PART: TIN-PLATING 3µm. } -Y = -2

NOTES :
 △ GROOVE INDICATES VERSION WITH 4-40 UNC INNER THREAD; WITHOUT GROOVE INDICATES VERSION WITH M3 INNER THREAD.
 △ CAVITY IDENTIFICATION AT FRONT SIDE ONLY.
 △ PARTNUMBER AND DATE CODE.
 4. CONNECTOR CAN BE USED FOR PCB THICKNESS OF 1,6 mm MINIMUM AND THICKER.
 5. AIR AND CREEPAGE DISTANCES ACCORDING TO DIN 41652

- ITEM NRS./MATERIAL :
- ① SHELL == BRIGHT TINPLATED STEEL
 - ② HOUSING == GLASSFILLED POLYESTER, COLOR : BLACK
 - ③ CONTACTS == PHOSPHORBRONZE (PLATING : SEE TABLE ABOVE)
 - ④ FEMALE SCREWLOCK == TINPLATED STEEL (INNER THREAD 4-40 UNC OR M3).
 - ⑤ BUSHING == TINPLATED STEEL (INNER THREAD 4-40 UNC OR M3 OR 3,1 DIA. THROUGHHOLE)
 - ⑥ STAND OFF == MAT: ULTRAMID V0 COLOR BLACK.

THIS DRAWING IS A CONTROLLED DOCUMENT.		DWN D. KESSLER 25JAN99	Tyco Electronics Corporation 's-HertogenBosch, Netherlands,	
DIMENSIONS: MM	TOLERANCES UNLESS OTHERWISE SPECIFIED:	CHK W. SOOMERS	NAME	
0 PLC ± -	1 PLC ± -	APVD -	PRODUCT SPEC	
2 PLC ± -	3 PLC ± -	-	APPLICATION SPEC	
4 PLC ± -	ANGLES ± -	WEIGHT -	SIZE A2	CAGE CODE 00779
MATERIAL -	FINISH -	CUSTOMER DRAWING	DRAWING NO C=338211	RESTRICTED TO -
			SCALE -	SHEET 1 OF 1 REV J1