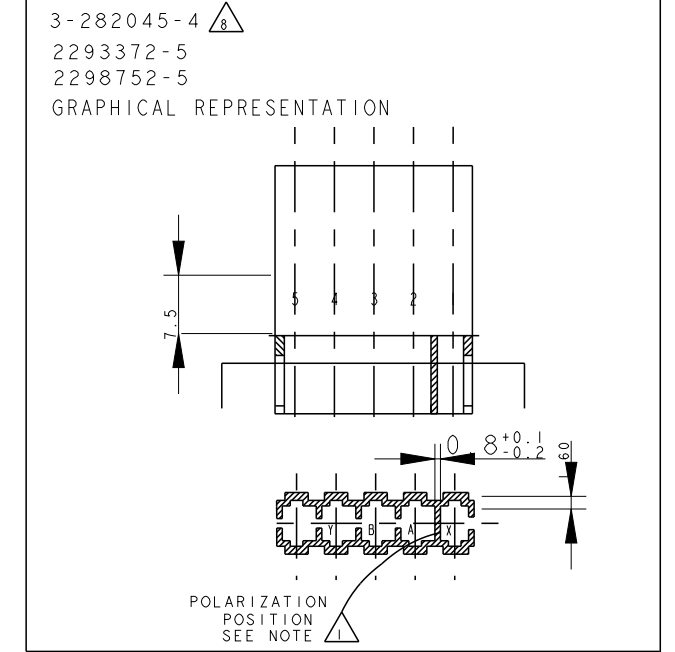
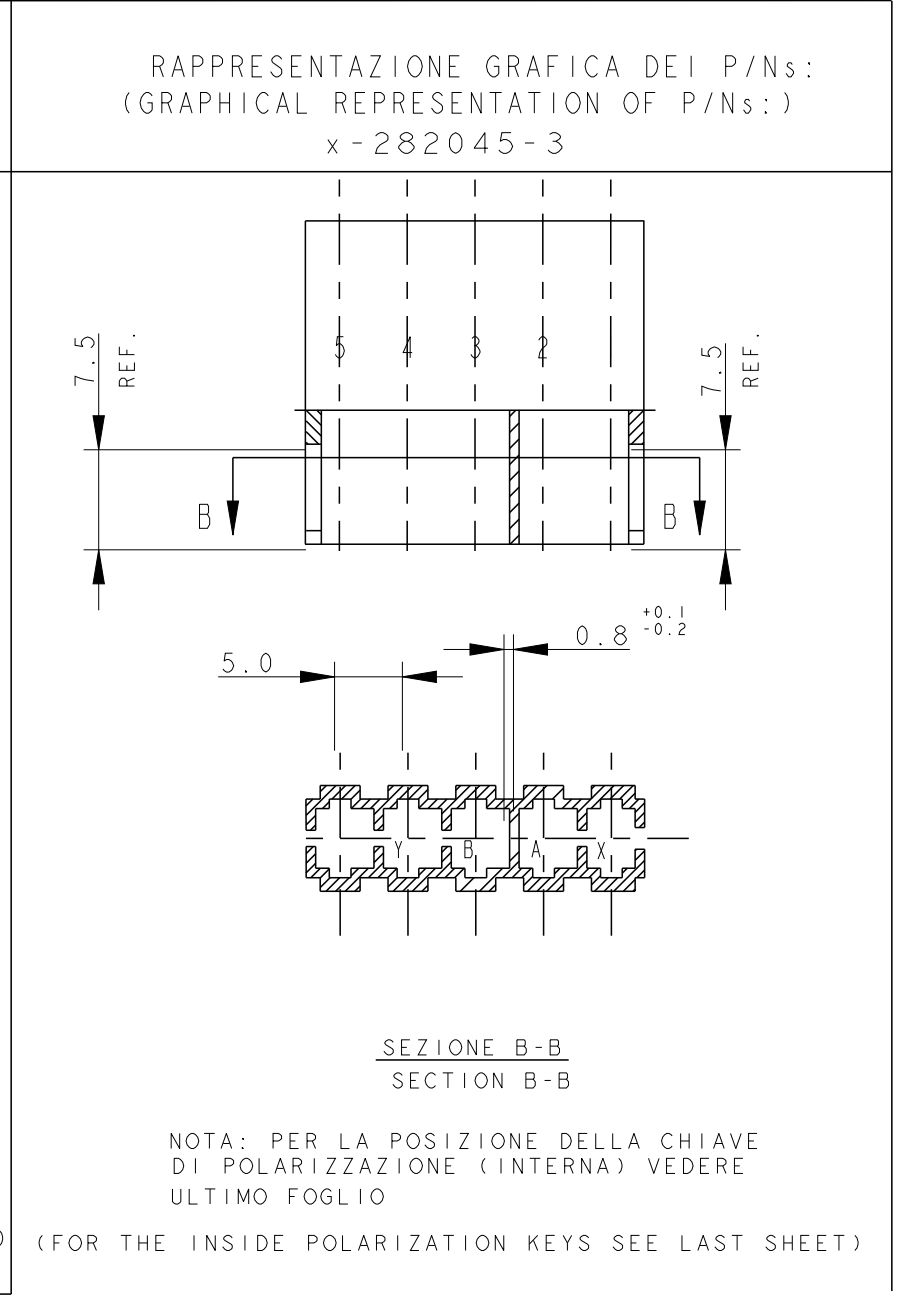
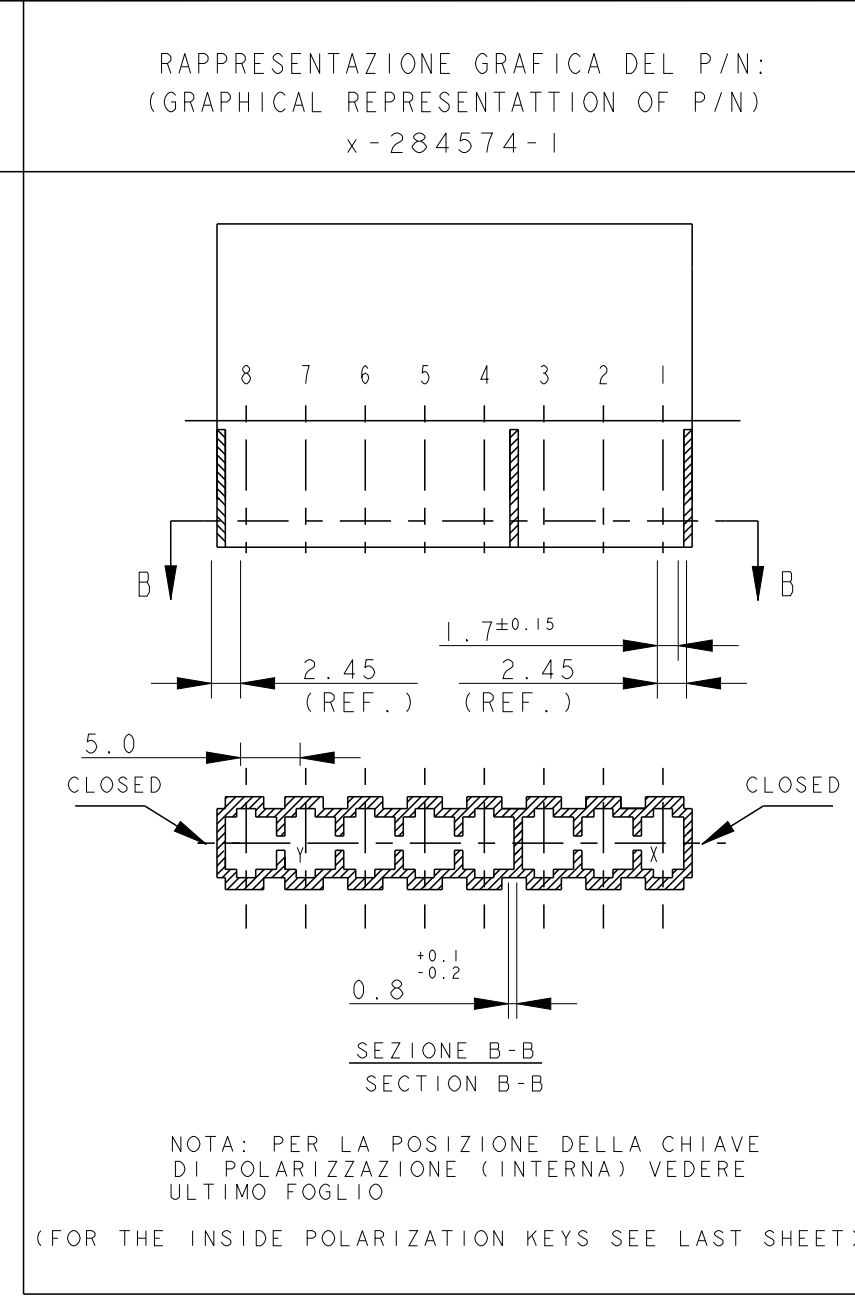
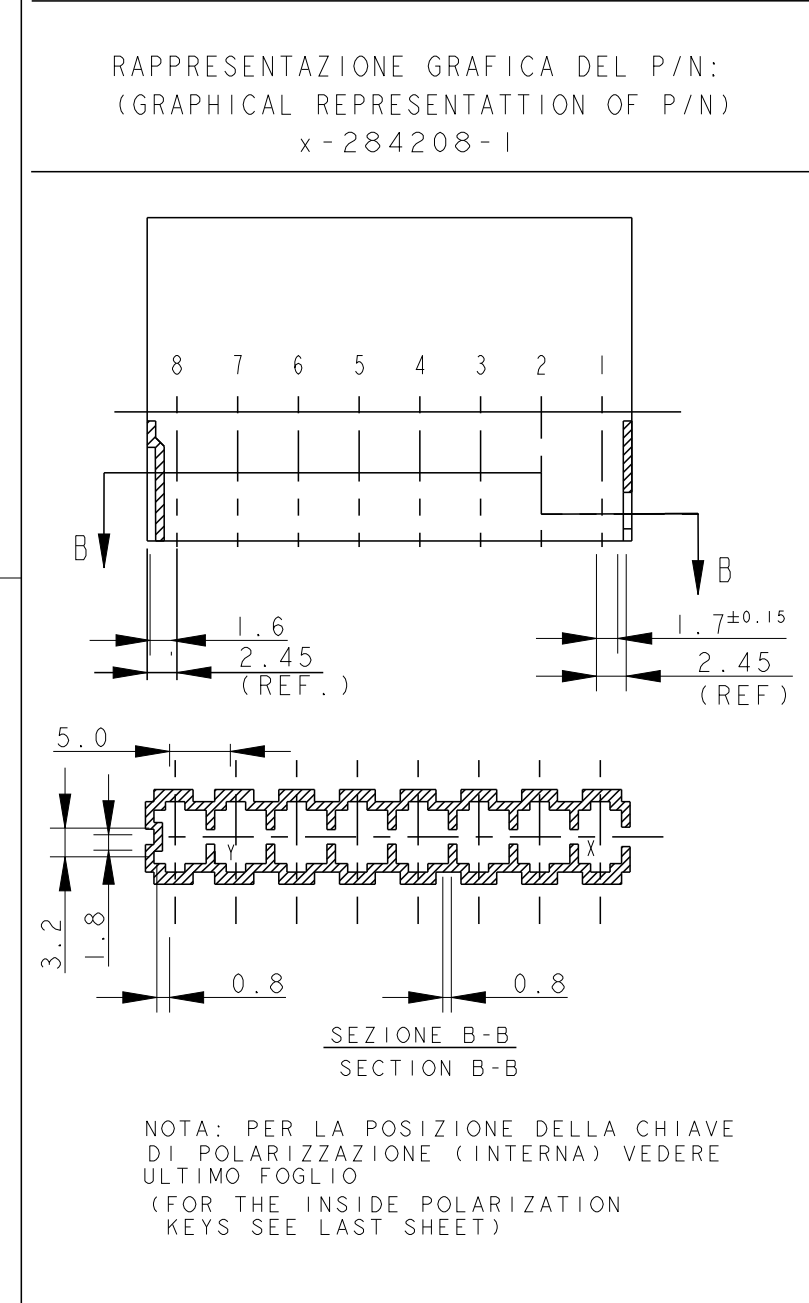
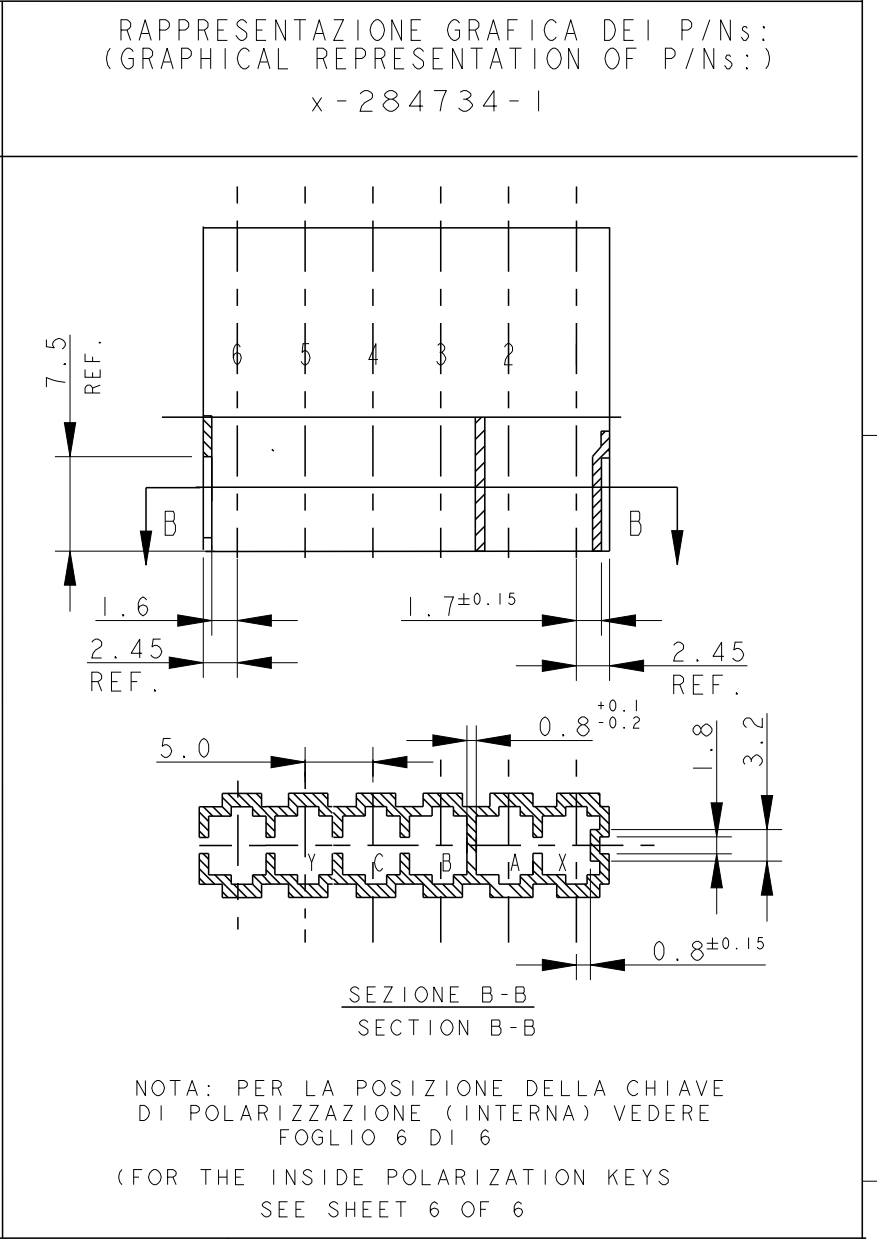
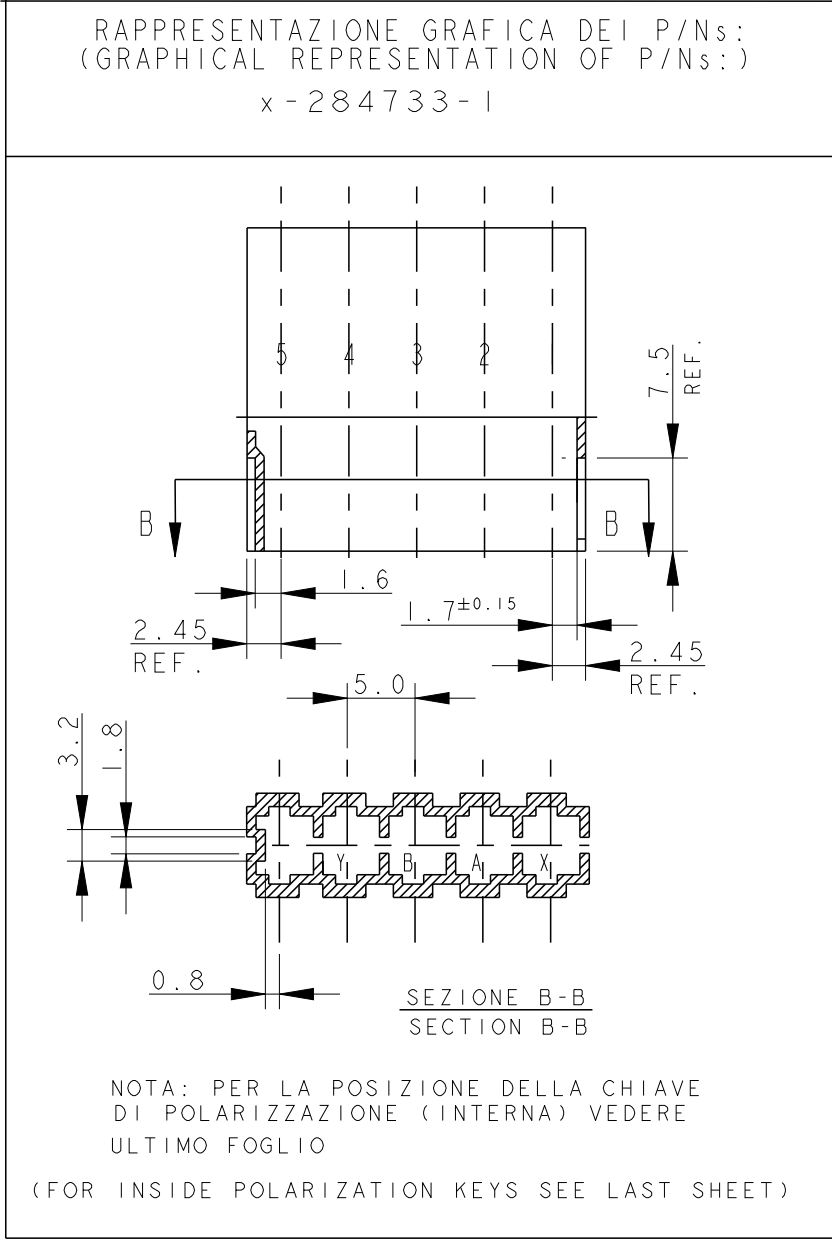
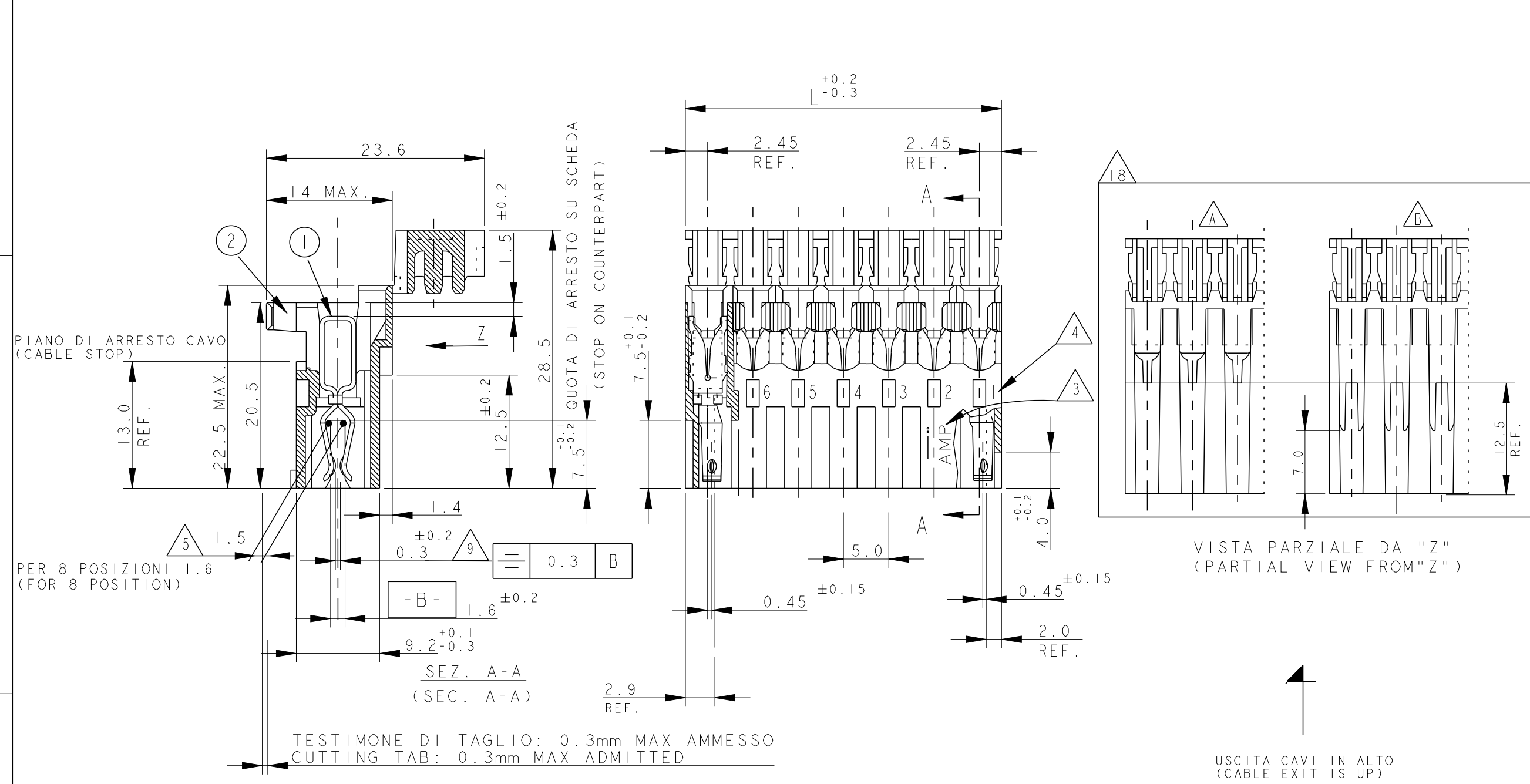


THIS DRAWING IS UNPUBLISHED. RELEASED FOR PUBLICATION
 © COPYRIGHT copyright.d8re- ALL RIGHTS RESERVED.

LOC		DIST		REVISIONS			
P	LTR	DESCRIPTION	DATE	DWN	APVD		
		SEE SHEET 1					



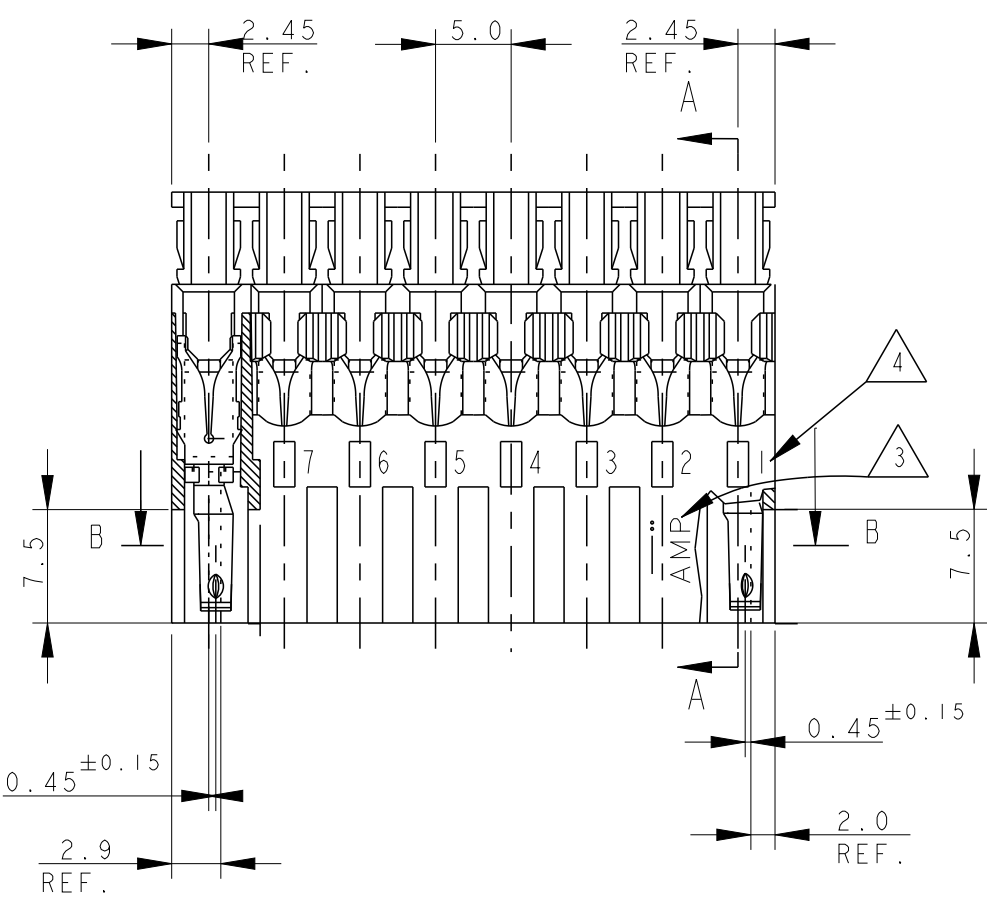
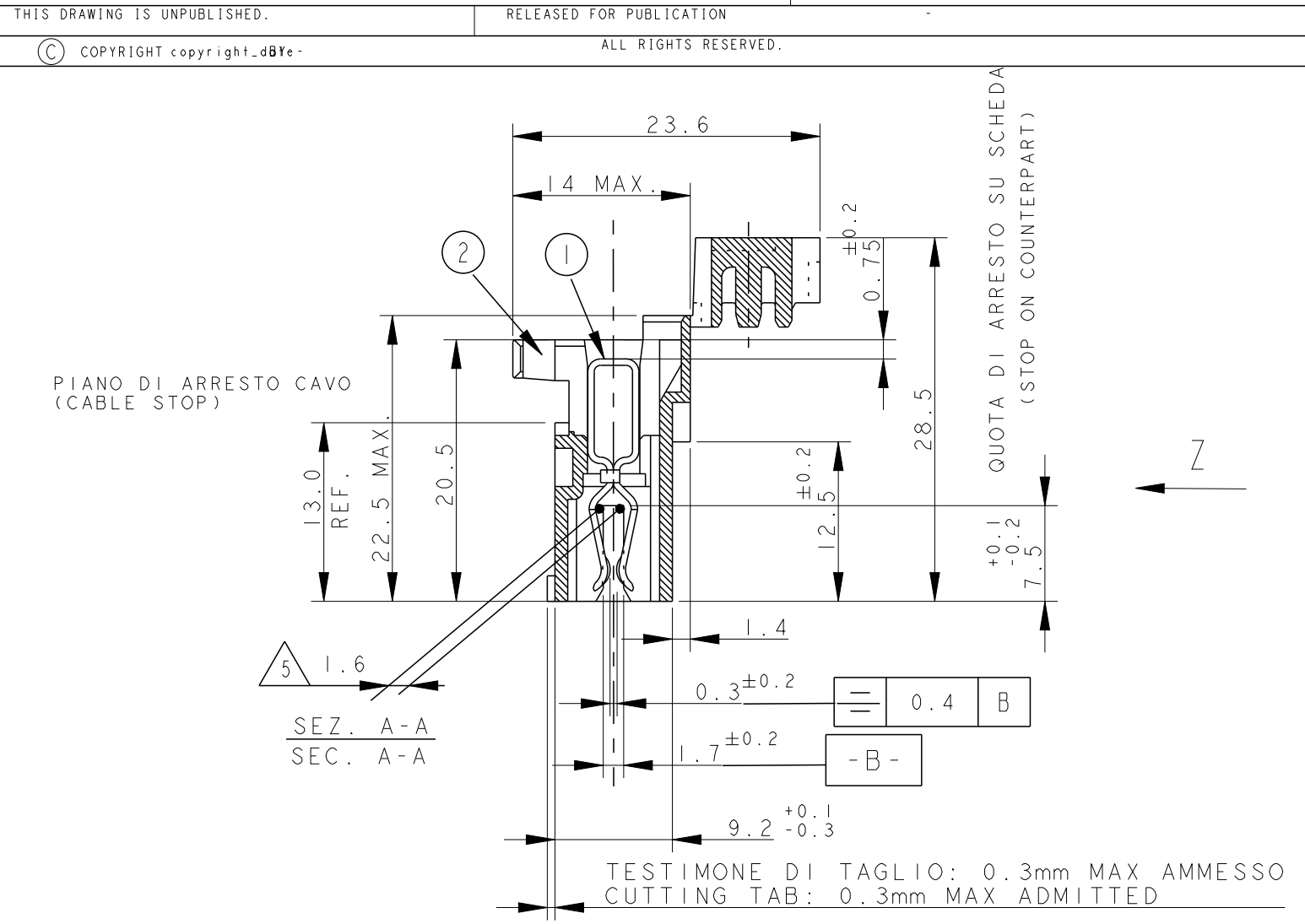
7) PER I NUMERI DI RIFERIMENTO DEI CONNETTORI VEDERE ULTIMO FOGLIO (FOR P/Ns SEE LAST SHEET)



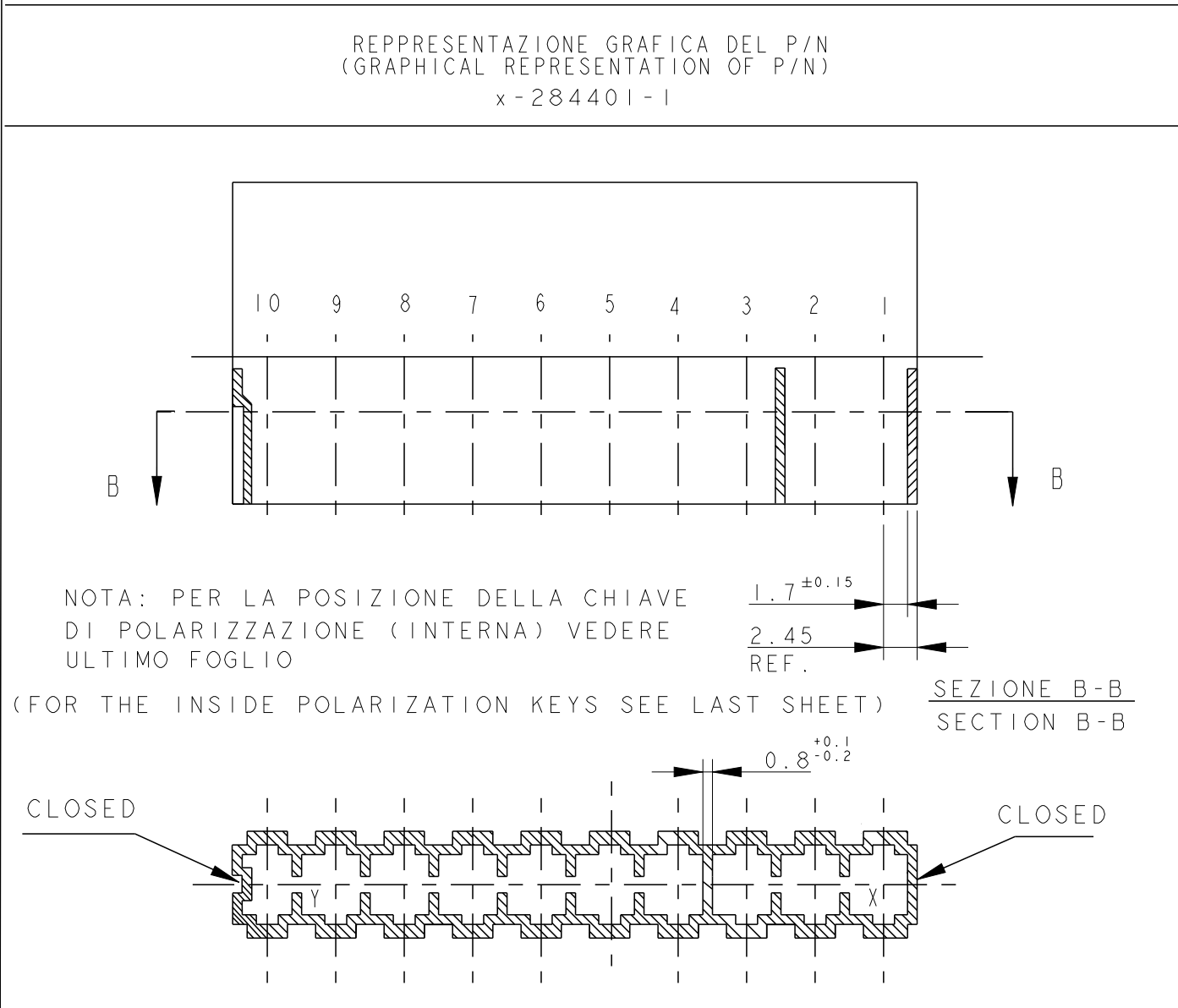
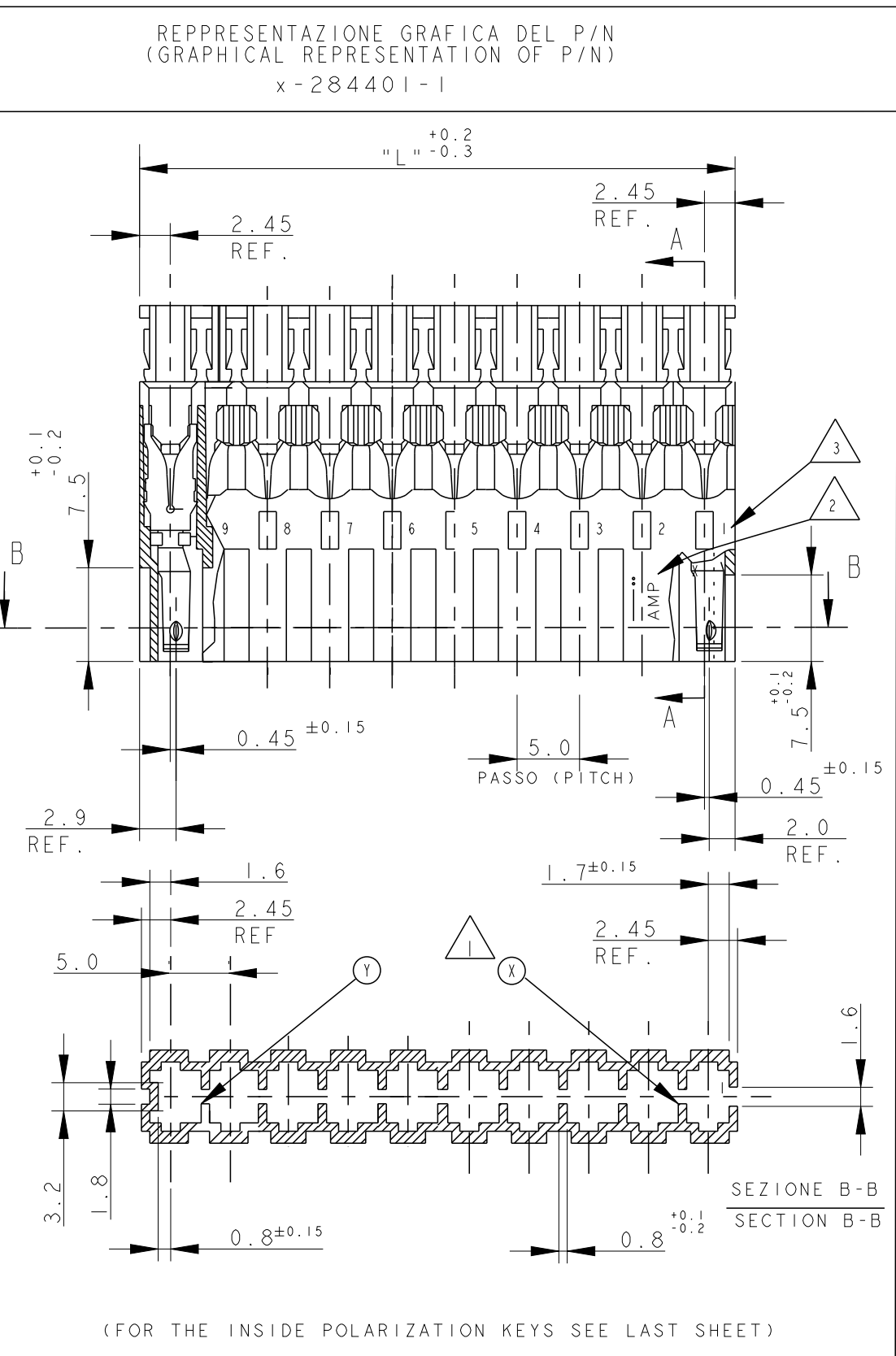
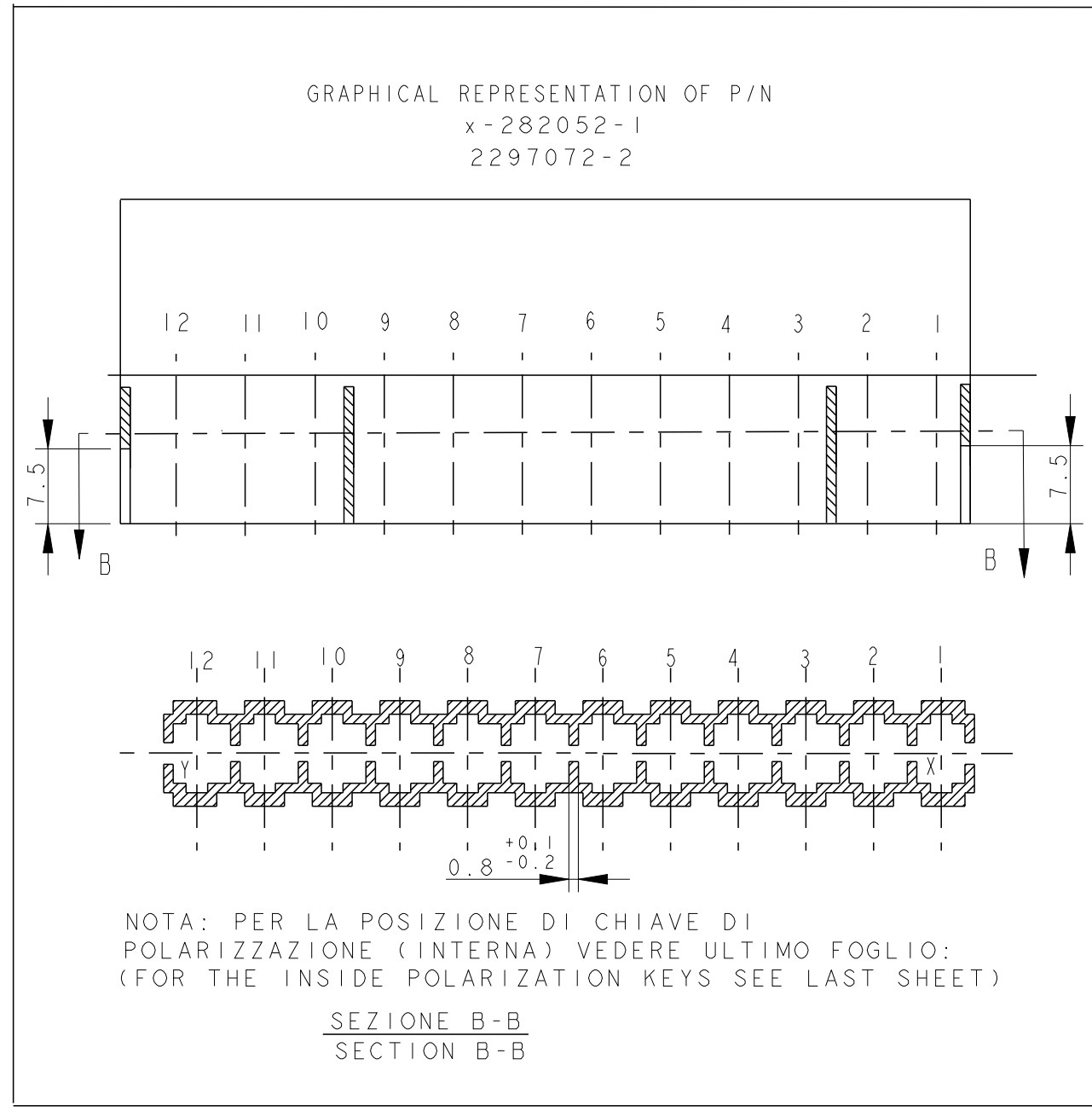
10) PER LE DIMENSIONI DELLE DIME DEL CIRCUITO STAMPATO VEDERE FOGLIO 5 (FOR PCB LAYOUT AND DIMENSIONS SEE SHEET 5)

PROFILO "A" E' VALIDO PER OGNI CONFIGURAZIONE, PROFILO "B" E' AMMESSO SOLO PER I PN IDENTIFICATI IN TABELLA DALLA PRESENTE NOTA (SHAPE "A" VALID FOR EACH CONFIGURATION, SHAPE "B" IS PERMITTED ONLY ON PN WHERE THIS NOTE IS SHOWN ON RELEVANT DRAWING TABLE)

THIS DRAWING IS A CONTROLLED DOCUMENT.		DWN C.CORDOLA 23JUL1996	TE Connectivity MONO-SHAPE, MK1 PCB CONNECTOR 2-12 POS.	
DIMENSIONS: mm		CHK G.TURCO 23JUL1996		
TOLERANCES UNLESS OTHERWISE SPECIFIED:		APVD G.TURCO 23JUL1996	NAME	
0 PLC ±	0.3	PRODUCT SPEC		
1 PLC ±		108-20067		
2 PLC ±		APPLICATION SPEC		
3 PLC ±		114-20018		
4 PLC ±	±2°	WEIGHT		
ANGLES		-		
MATERIAL CONNETTORE NYLON (CONNECTOR NYLON) CONTATTO OTTONE (CONTACT BRASS)		FINISH STAGNATO (TIN PLATED)		SIZE A2
		Customer Drawing		CAGE CODE 1
		DRAWING NO 282042		RESTRICTED TO -
		SCALE 2:1		SHEET 3 OF 9
		REV Z16		



LOC		DIST		REVISIONS			
P	LTR	DESCRIPTION		DATE	DWN	APVD	
		SEE SHEET 1					



USCITA CAVI IN ALTO (CABLE EXIT IS UP)

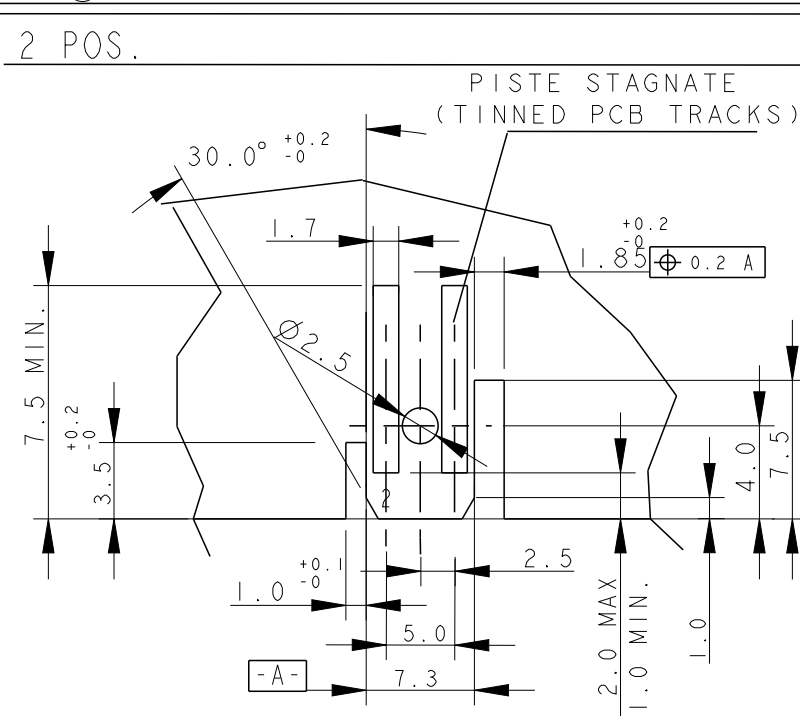
THIS DRAWING IS A CONTROLLED DOCUMENT.

DIMENSIONS: mm	TOLERANCES UNLESS OTHERWISE SPECIFIED:	DWN C. CORDOLA 23JUL1996	TE Connectivity MONO-SHAPE, MK1 PCB CONNECTOR 2-12 POS.
		CHK G. TURCO 23JUL1996	
		APVD G. TURCO 23JUL1996	
		NAME	
MATERIAL CONNETTORE NYLON (CONNECTOR NYLON) CONTATTO OTTONE (CONTACT BRASS)	FINISH STAGNATO (TIN PLATED)	PRODUCT SPEC 108-20067	SIZE A2
		APPLICATION SPEC 114-20018	CAGE CODE 1
		WEIGHT	DRAWING NO G-282042
		Customer Drawing	RESTRICTED TO

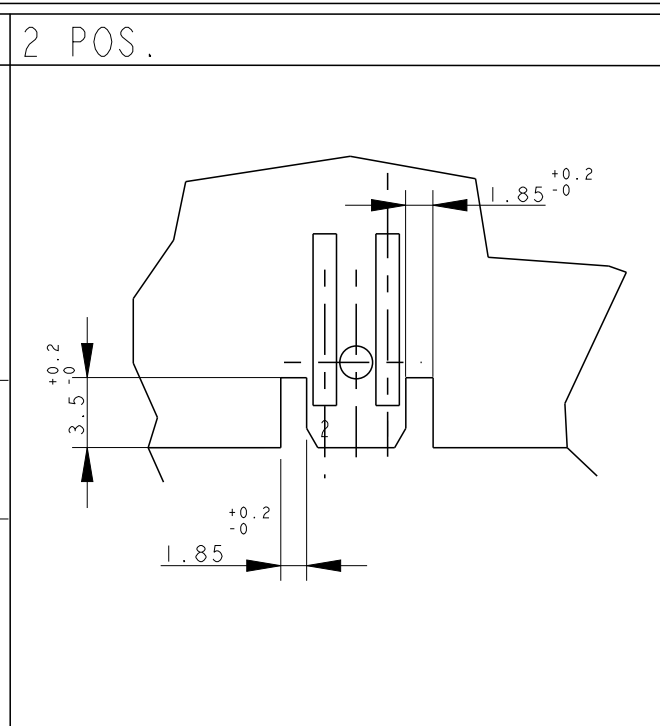
SCALE 2:1 SHEET 4 OF 9 REV Z16

THIS DRAWING IS UNPUBLISHED. RELEASED FOR PUBLICATION
 © COPYRIGHT copyright.d8Te- ALL RIGHTS RESERVED.

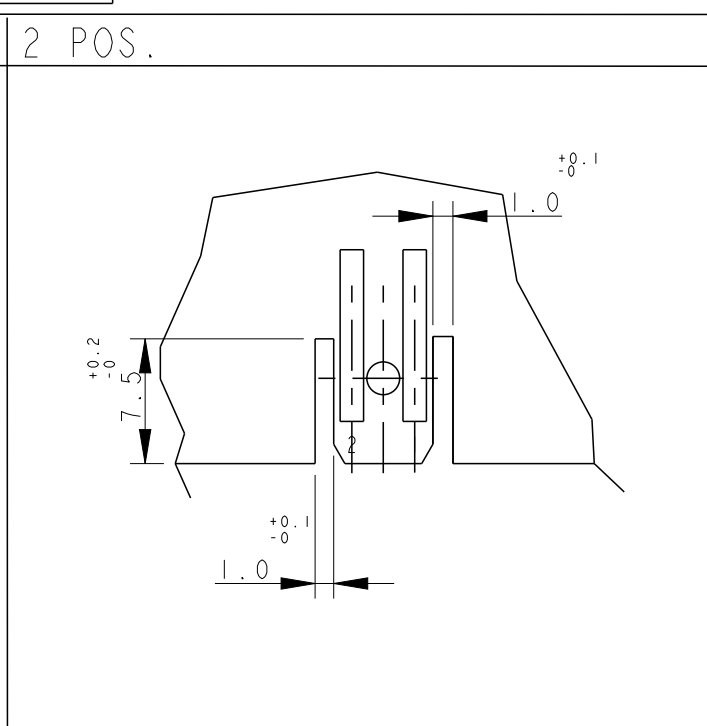
LOC		DIST		REVISIONS		
P	LTR	DESCRIPTION	DATE	DWN	APVD	
-	-	SEE SHEET 1				



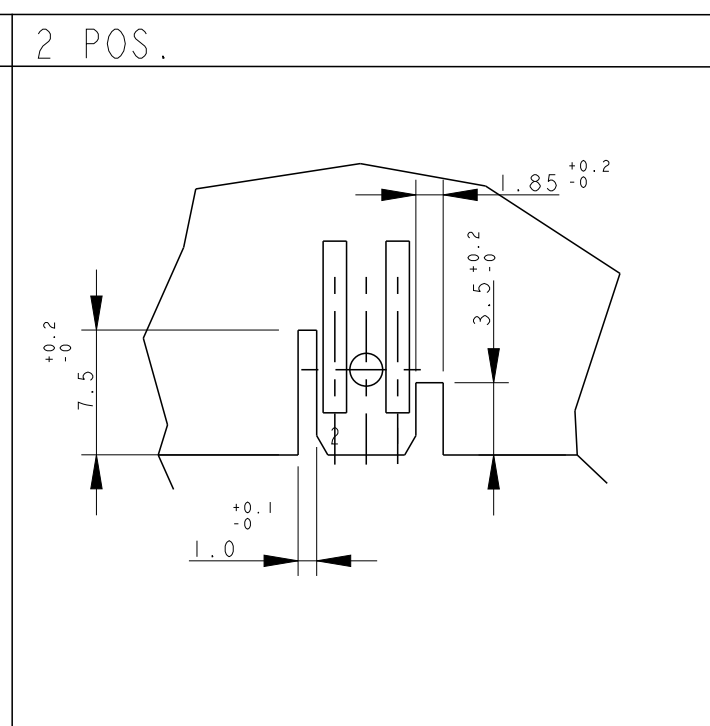
DIMA DEL PCB PER PN (PCB LAYOUT FOR PN.S)
x-282042-1



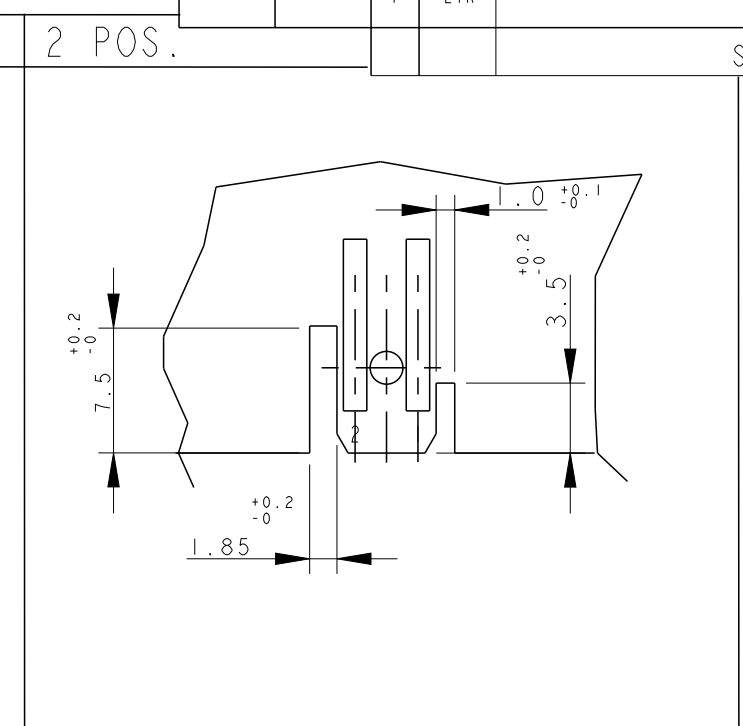
DIMA DEL PCB PER PN (PCB LAYOUT FOR PN.S)
x-282042-2



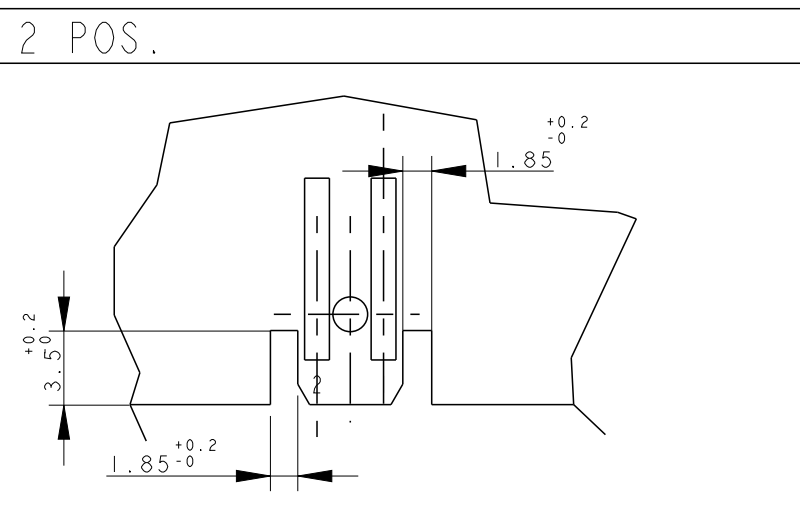
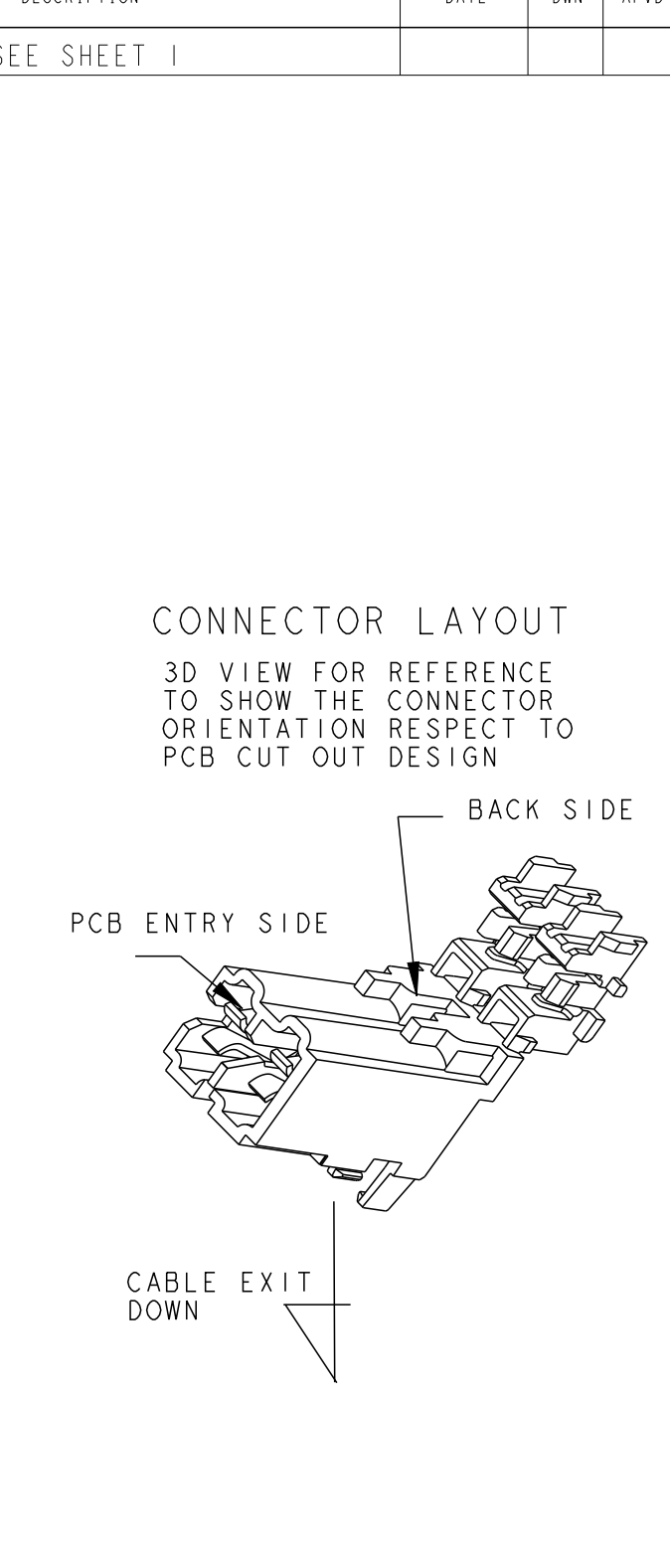
DIMA DEL PCB PER PN (PCB LAYOUT FOR PN.S)
x-282042-3 & x-2293372-2 & x-2298752-2



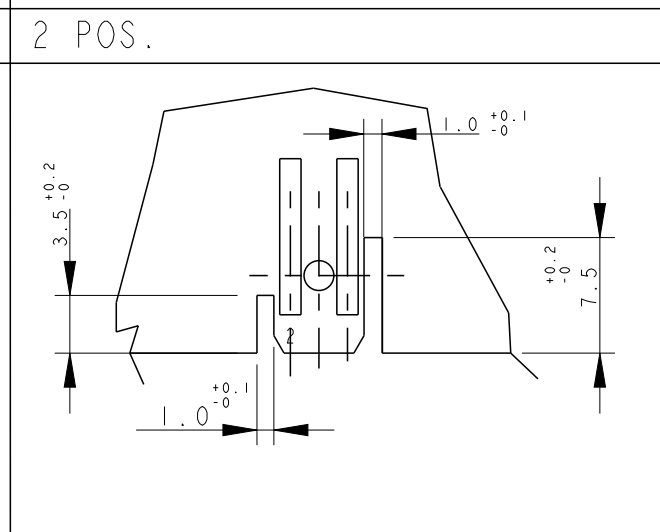
DIMA DEL PCB PER PN (PCB LAYOUT FOR PN.S)
x-282042-4



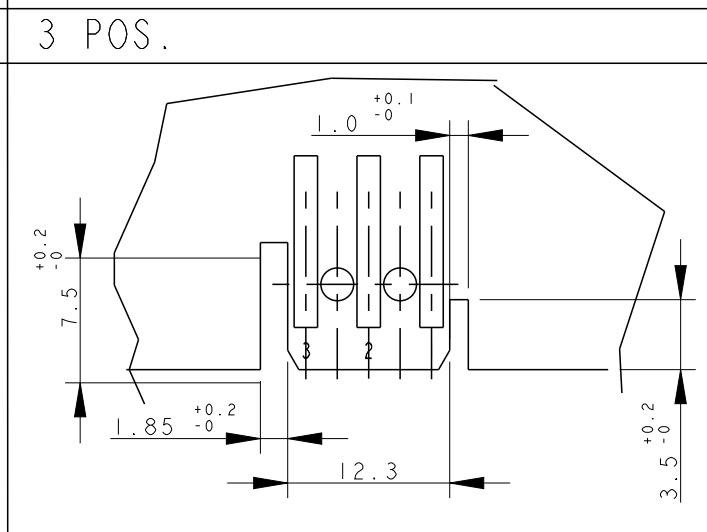
DIMA DEL PCB PER PN (PCB LAYOUT FOR PN.S)
x-282042-5



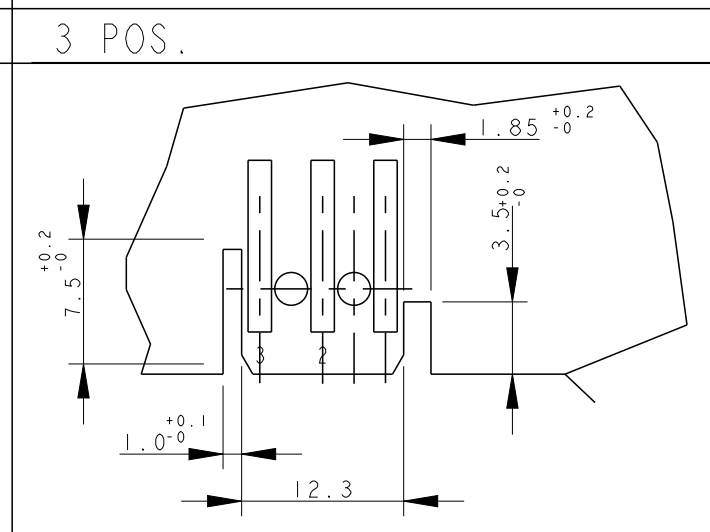
DIMA DEL PCB PER PN (PCB LAYOUT FOR PN.S)
x-284561-1



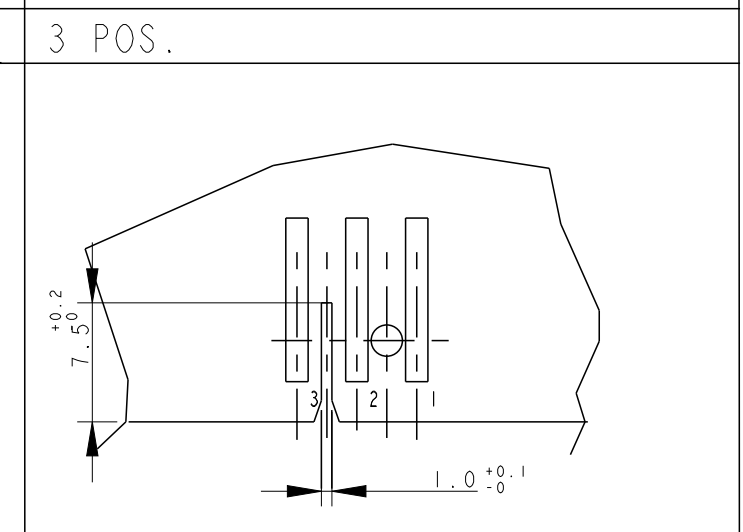
DIMA DEL PCB PER PN (PCB LAYOUT FOR PN.S)
x-282042-6



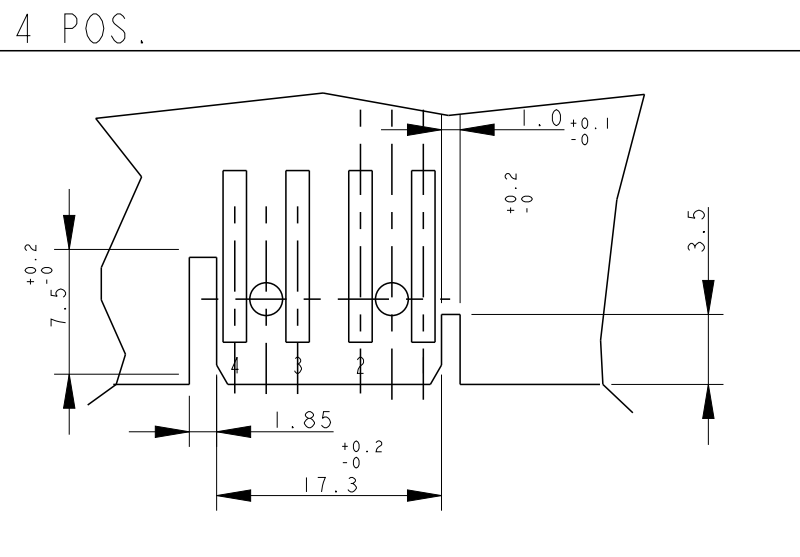
DIMA DEL PCB PER PN (PCB LAYOUT FOR PN.S)
x-282043-2 and x-282043-3



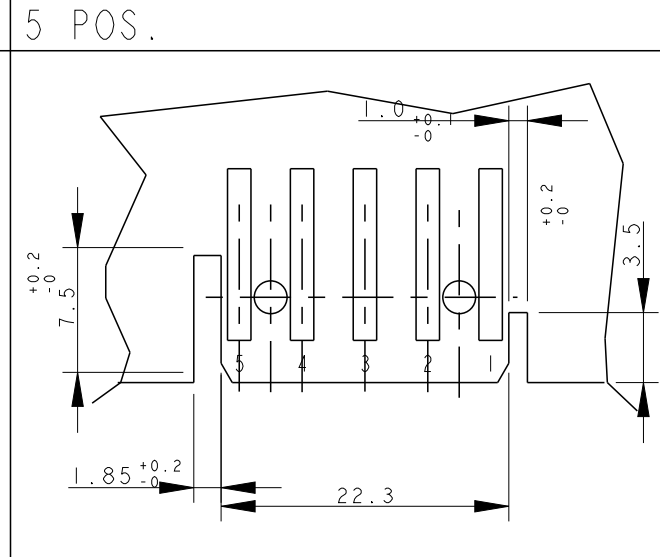
DIMA DEL PCB PER PN (PCB LAYOUT FOR PN.S)
x-282235-2 and x-282235-3



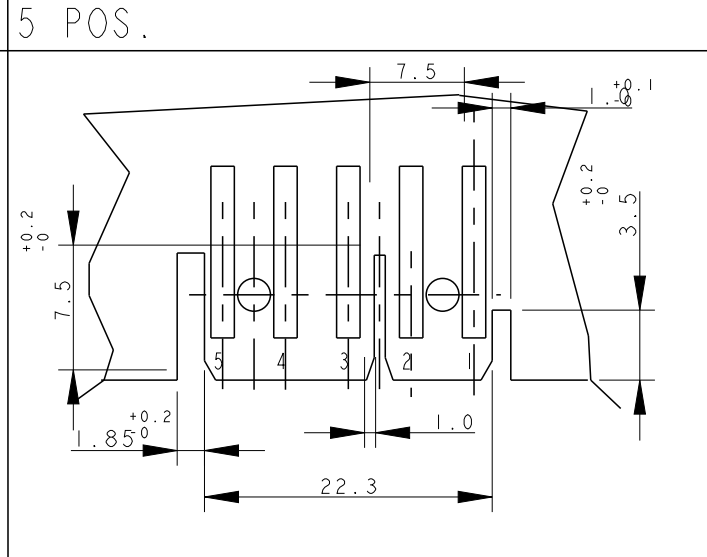
DIMA DEL PCB PER PN (PCB LAYOUT FOR PN.S)
x-284546-1



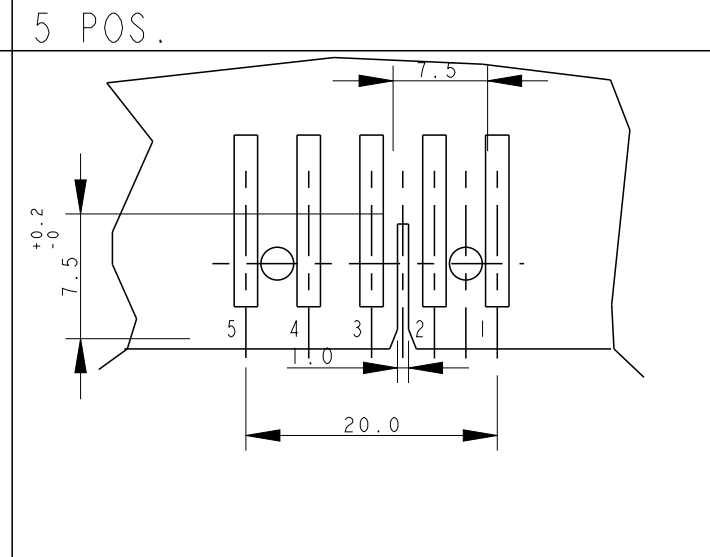
DIMA DEL PCB PER PN (PCB LAYOUT FOR PN.S)
x-282044-1



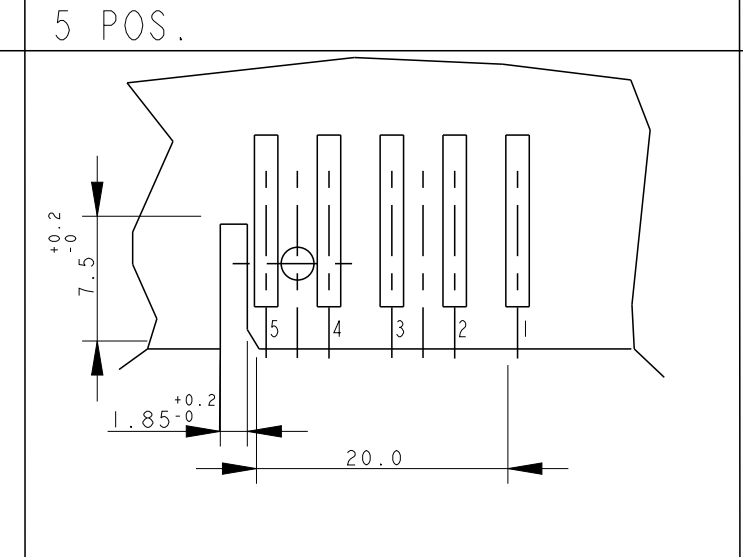
DIMA DEL PCB PER PN (PCB LAYOUT FOR PN.S)
x-282045-1



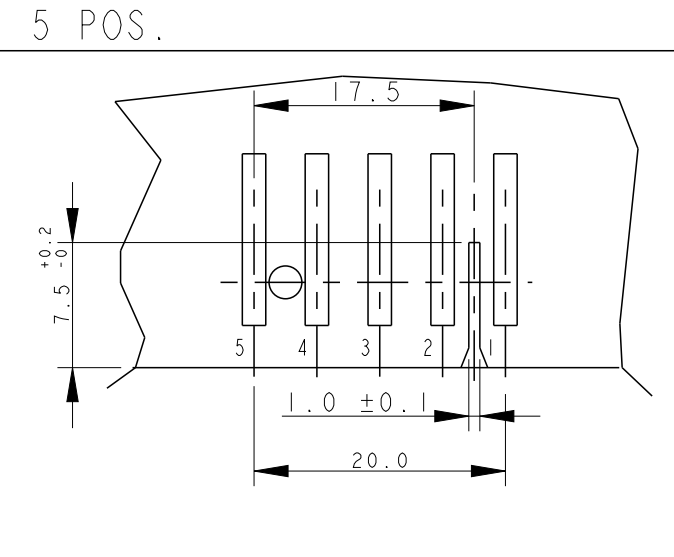
DIMA DEL PCB PER PN (PCB LAYOUT FOR PN.S)
x-282045-2



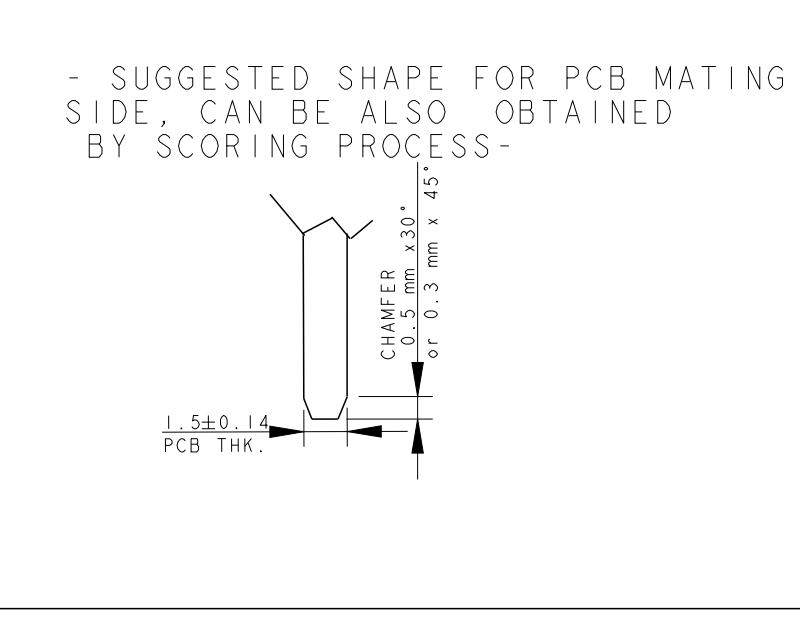
DIMA DEL PCB PER PN (PCB LAYOUT FOR PN.S)
x-282045-3



DIMA DEL PCB PER PN (PCB LAYOUT FOR PN.S)
x-284733-1



PCB LAYOUT FOR PN.S
3-282045-4 2293372-5 2298752-5



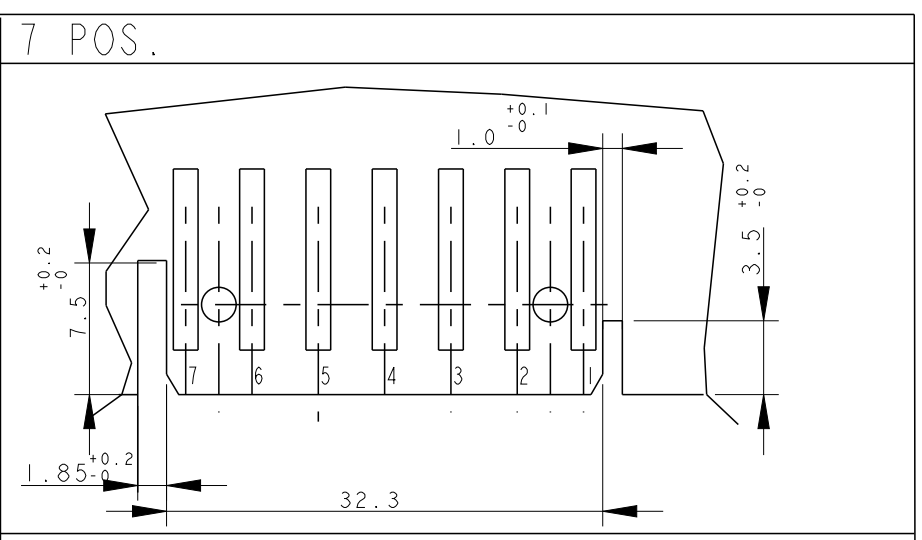
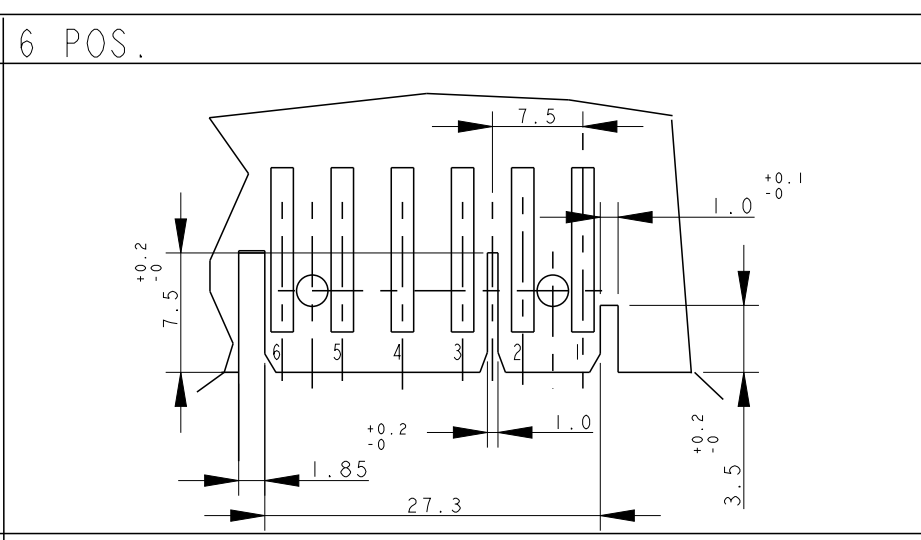
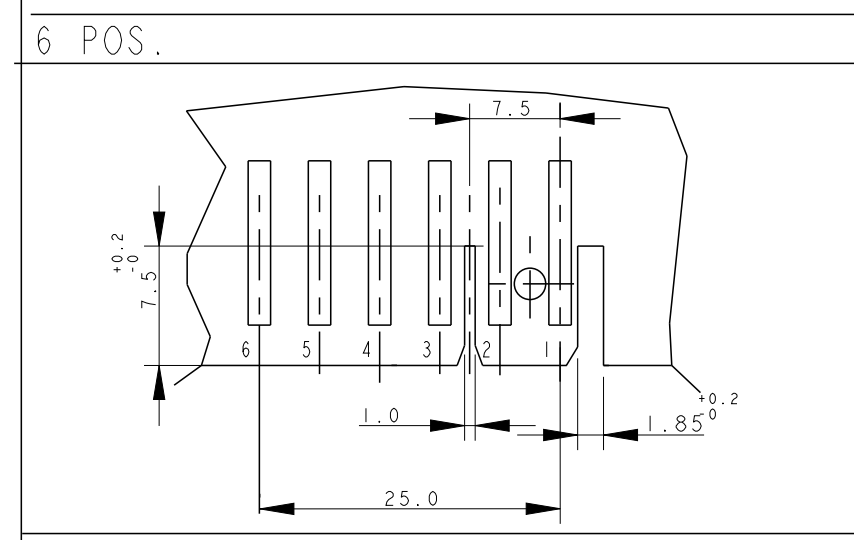
1) LE DIMENSIONI TIPICHE RIFERITE ALLE GEOMETRIE COMUNI A TUTTE LE DIME SONO INDICATE SOLO NEL DETTAGLIO RELATIVO AL PN 1-282042. (PCB GEOMETRY TYPICAL DIMENSIONS ARE SHOWN ON SKETCH FOR PN 1-282042-1)

2) LE DIME DEI PCB ACCOPPIANO CON I CONNETTORI INSERITI CO USCITA CAVI VERSO IL BASSO (PCB LAYOUT AS SHOWN WILL MATE WITC CONNECTORS HAVING CABLE EXIT DOWN)

THIS DRAWING IS A CONTROLLED DOCUMENT.		DWN C. CORDOLA 23 JUL 1996	STE TE Connectivity	
DIMENSIONS: mm		CHK G. TURCO 23 JUL 1996	NAME MONO-SHAPE, MK1 PCB CONNECTOR 2-12 POS.	
TOLERANCES UNLESS OTHERWISE SPECIFIED: 0 PLC ± 1 PLC ±0.3 2 PLC ± 3 PLC ± 4 PLC ± ANGLES ±2°		APVD G. TURCO 23 JUL 1996	PRODUCT SPEC 108-20067	
MATERIAL CONNETTORE NYLON (CONNECTOR NYLON) CONTATTO OTTONE (CONTACT BRASS)		FINISH STAGNATO (TIN PLATED)	APPLICATION SPEC 114-20018	
		WEIGHT -	RESTRICTED TO -	
Customer Drawing		SCALE 2:1	SHEET 5 OF 9 REV 16	

THIS DRAWING IS UNPUBLISHED. RELEASED FOR PUBLICATION
 © COPYRIGHT copyright.dBTe- ALL RIGHTS RESERVED.

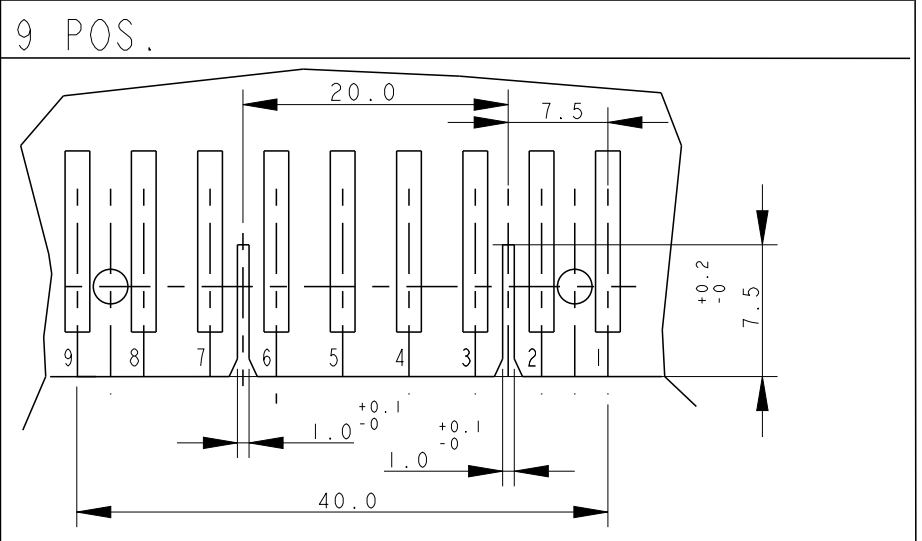
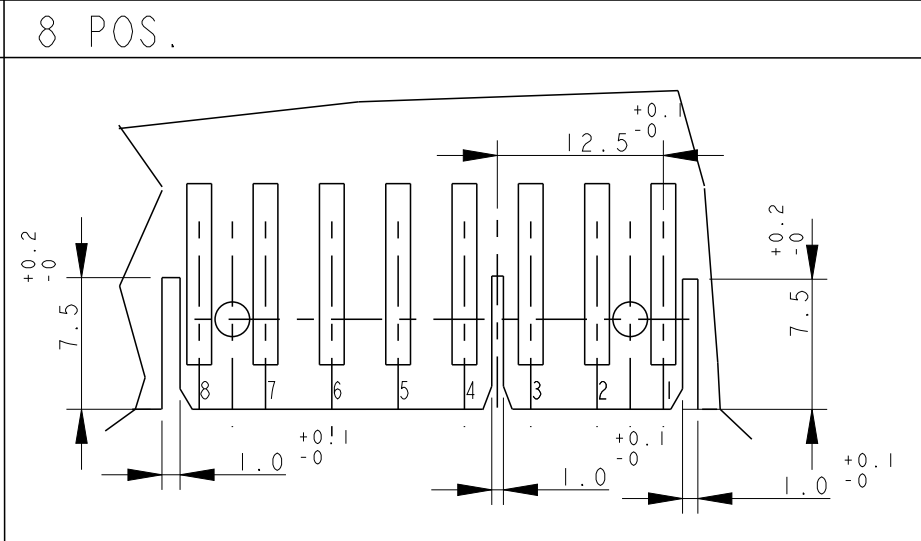
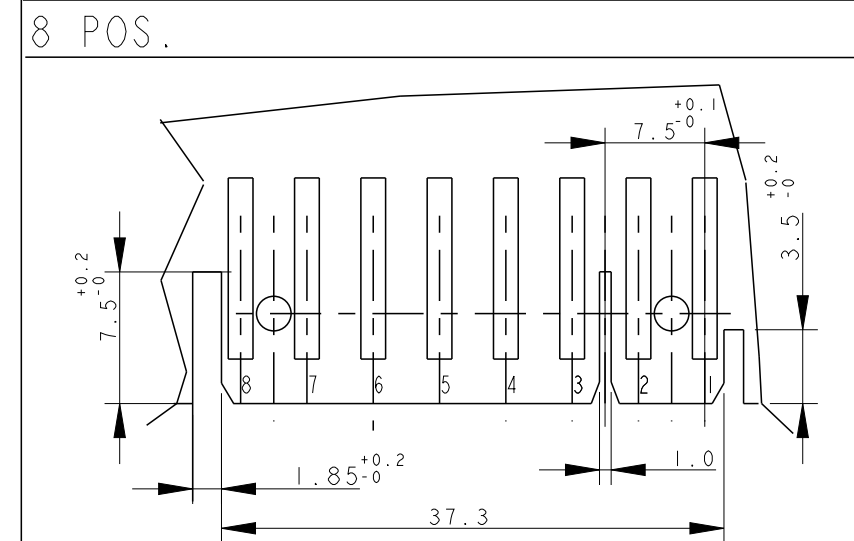
LOC		DIST		REVISIONS			
P	LTR	DESCRIPTION	DATE	DWN	APVD		
		SEE SHEET 1					



DIMA DEL PCB PER PN
(PCB LAYOUT FOR PN.S)
x-284734-1

DIMA DEL PCB PER PN
(PCB LAYOUT FOR PN.S)
x-282046-1

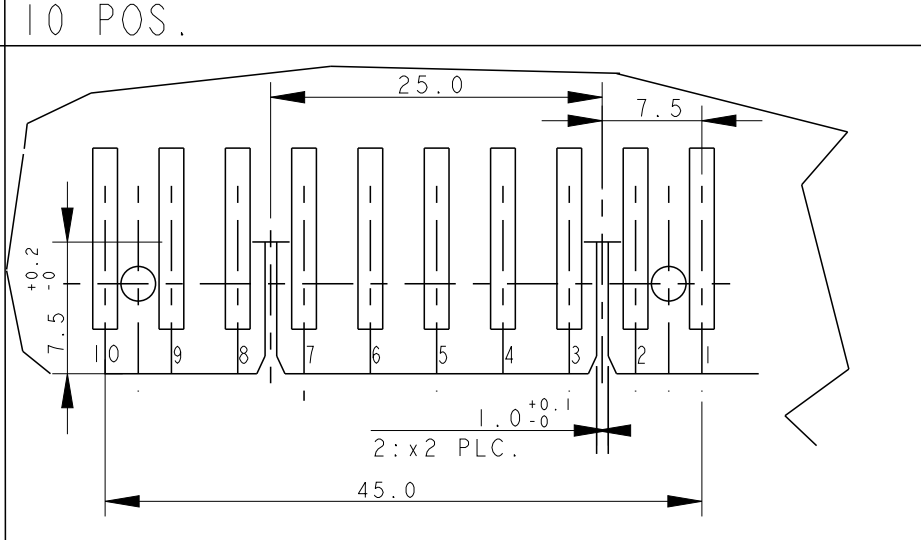
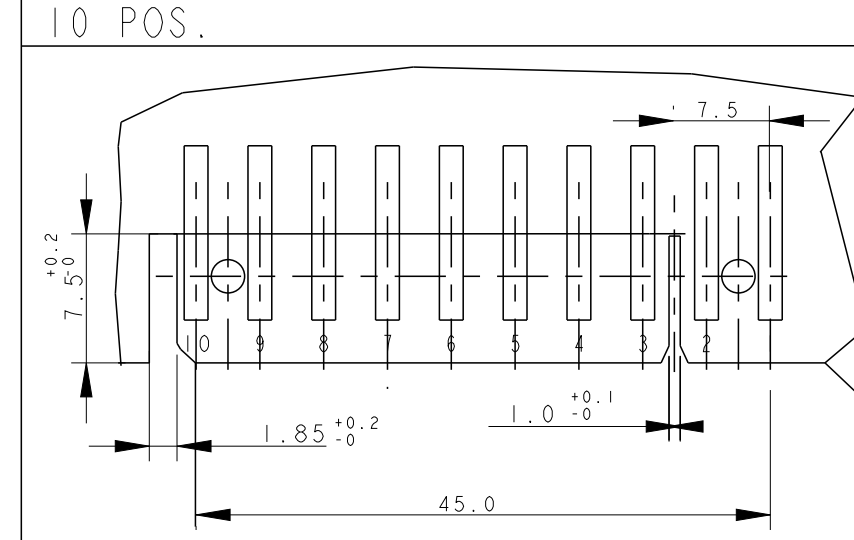
DIMA DEL PCB PER PN
(PCB LAYOUT FOR PN.S)
x-282047-1, 2293372-7 AND 2298752-7



DIMA DEL PCB PER PN
(PCB LAYOUT FOR PN.S)
x-284208-1

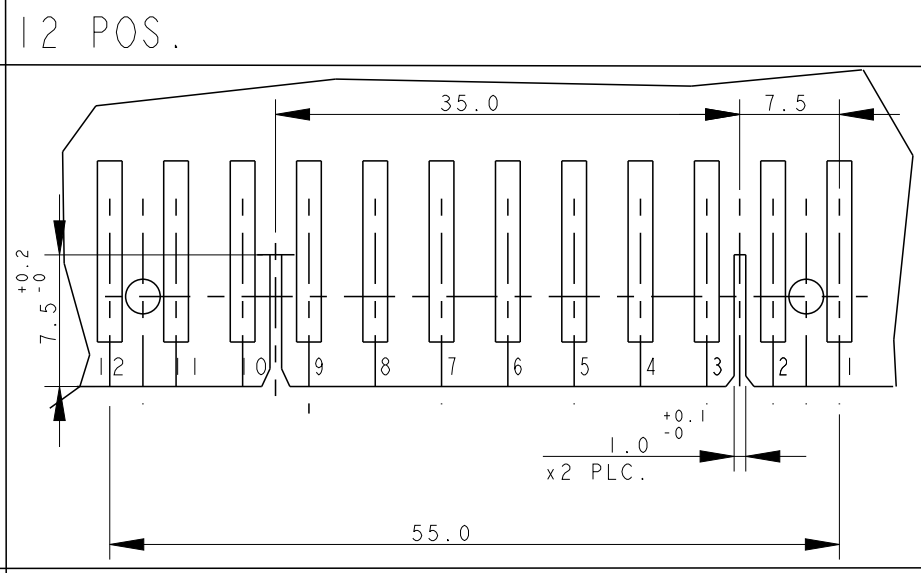
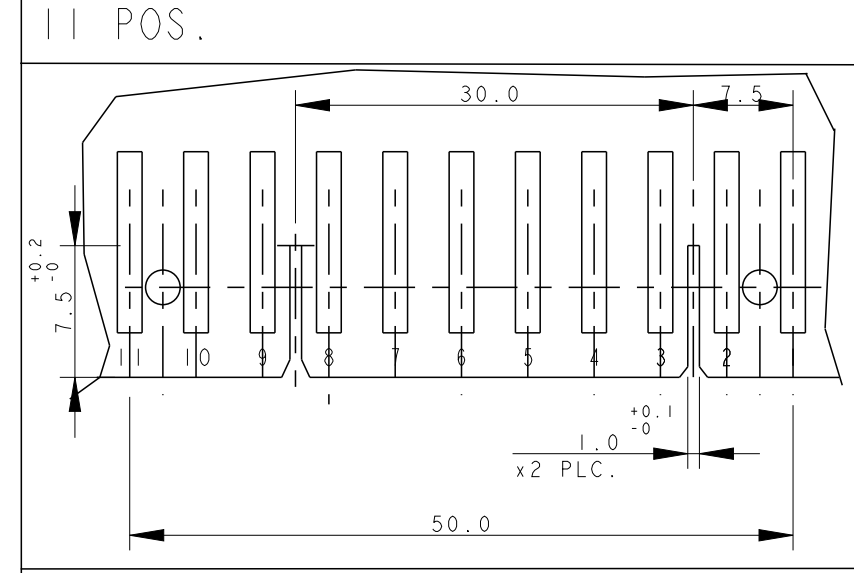
DIMA DEL PCB PER PN
(PCB LAYOUT FOR PN.S)
x-284574-1

DIMA DEL PCB PER PN
(PCB LAYOUT FOR PN.S)
x-282049-1, 2293372-9 AND 2298752-9



DIMA DEL PCB PER PN
(PCB LAYOUT FOR PN.S)
x-284401-x

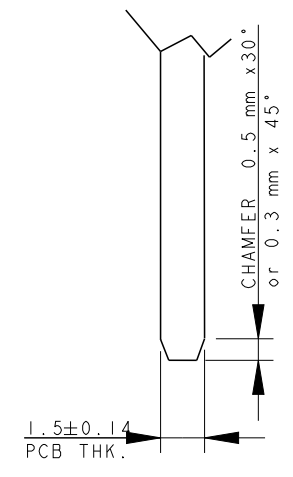
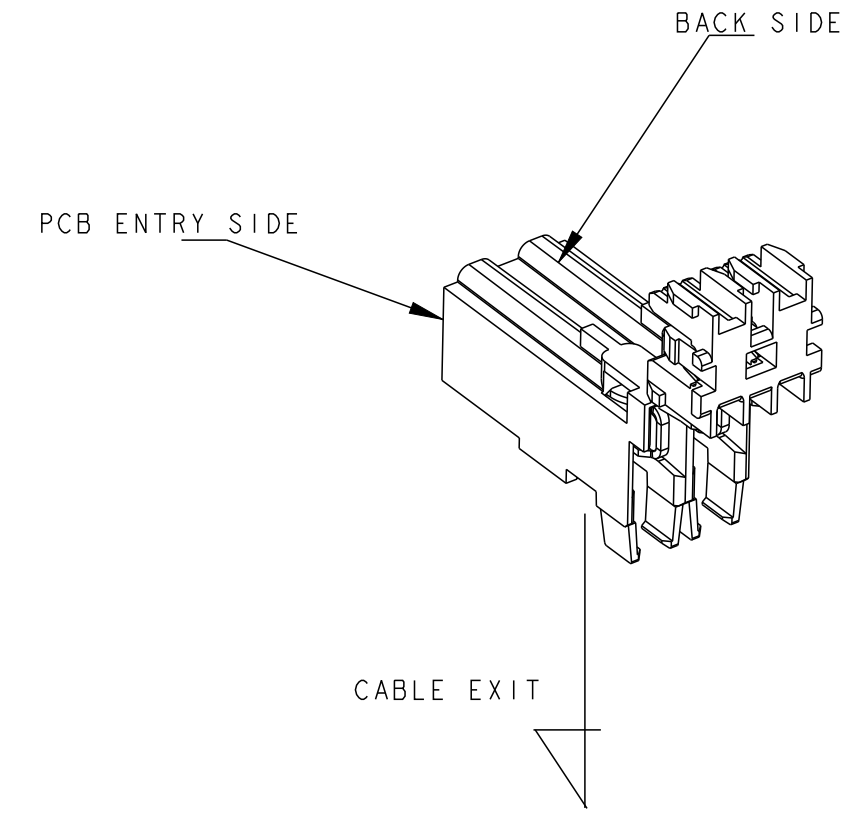
DIMA DEL PCB PER PN
(PCB LAYOUT FOR PN.S)
x-282050-x



DIMA DEL PCB PER PN
(PCB LAYOUT FOR PN.S)
x-282051-x

PCB LAYOUT FOR PN.S
x-282052-x
2297072-2

CONNECTOR LAYOUT
(3D VIEW FOR REFERENCE TO SHOW THE CONNECTOR ORIENTATION RESPECT TO PCB CUT OUT DESIGN)



- SUGGESTED SHAPE FOR PCB MATING SIDE, CAN BE ALSO OBTAINED BY SCORING PROCESS-

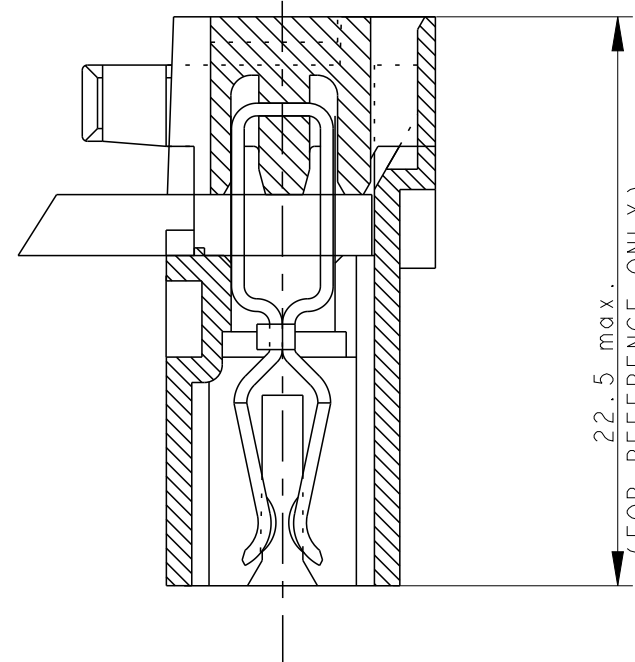
THIS DRAWING IS A CONTROLLED DOCUMENT.		DWN C.CORDOLA	23JUL1996	TE Connectivity NAME MONO-SHAPE, MK1 PCB CONNECTOR 2-12 POS.	
DIMENSIONS: mm		CHK G.TURCO	23JUL1996		
TOLERANCES UNLESS OTHERWISE SPECIFIED: 0 PLC ± 1 PLC ± 2 PLC ± 3 PLC ± 4 PLC ± ANGLES ±2°		APVD G.TURCO	23JUL1996	PRODUCT SPEC 108-20067	
MATERIAL CONNECTORE NYLON (CONNECTOR NYLON) CONTATTO OTTONE (CONTACT BRASS)		FINISH STAGNATO (TIN PLATED)		APPLICATION SPEC 114-20018	
1.5±0.14 PCB THK.		WEIGHT		RESTRICTED TO	
		Customer Drawing		SIZE A2	CAGE CODE 1
		SCALE NO		DRAWING NO G-282042	SHEET 6 of 9
				REV Z16	

THIS DRAWING IS UNPUBLISHED. RELEASED FOR PUBLICATION
 © COPYRIGHT copyright.dBTe- ALL RIGHTS RESERVED.

LOC		DIST		REVISIONS				
P	LTR	DESCRIPTION	DATE	DWN	APVD			
-	-	SEE SHEET 1						

NUMERO DI VIE	CONFIGURAZIONE (VISTA CON USCITA CAVI IN ALTO)	VERSIONE PEZZI IN VASSOIO	PART NUMBER ASSY CONN.		POSIZIONE POLARIZ. (INTERVIA)	L (mm)	MARCHIATURA CON BANDA COLORATA
			REV.	VERSIONE PEZZI SCIOLTI			
NO. OF POS.	(CONFIGURATION) (VIEW WITH CABLE EXIT UP)	ON TRAY PACKAGING VERSION	PART REV.	LOOSE PIECES PACKAGING VERSION	PART REV.	L (mm)	STRIP COLOUR
2		1-282042-1	U	2-282042-1	U	10.8	ARANCIO (ORANGE)
2		1-282042-2	U	2-282042-2	U	10.8	VERDE (GREEN)
2		1-282042-3	U	2-382042-3	U	9.9	BLU (BLUE)
2		1-282042-4	U	2-282042-4	U	10.8	ROSSO (RED)
2		1-282042-5	U	2-282042-5	U	9.9	NERO (BLACK)
2		1-284561-1	V	-	-	9.9	VERDE (GREEN)
2		1-282042-6	V	-	-	9.9	VIOLA (VIOLET)
2		1-284561-2	V	-	-	9.9	-
3		1-282043-2	U	2-282043-2	U	14.9	-
		1-282043-3	U	2-282043-3	U	14.9	NERO (BLACK)
3		0-282235-2	U	2-282235-2	U	15.8	-
		0-282235-3	U	2-282235-3	U	15.8	NERO (BLACK)
3		1-284546-1	V	-	-	14.9	BLU (BLUE)
4		1-282044-1	V	2-282044-1	V	19.9	-
		3-282044-1	V	-	-	19.9	-
5		1-282045-1	U	2-282045-1	U	24.9	-
5		1-282045-2	U	2-282045-2	U	24.9	VERDE (GREEN)
5		1-282045-3	U	2-382045-3	U	24.9	BLU (BLUE)
5		1-284733-1	U	2-284733-1	U	24.9	-
5		3-282045-4	Z	-	-	24.9	Orange
6		1-282046-1	U	2-282046-1	U	29.9	-
6		1-284734-1	U	2-284734-1	U	29.9	-
7		1-282047-1	U	2-282047-1	U	34.9	-
8		0-284208-1	U	2-284208-1	U	39.9	-
9		1-282049-1	U	2-282049-1	U	44.9	-
10		1-282050-1	U	2-282050-1	U	49.9	-
10		1-284401-1	V	-	-	49.9	NERO (BLACK)
11		1-282051-1	U	2-282051-1	U	54.9	-
12		1-282052-1	U	2-282052-1	U	59.9	-

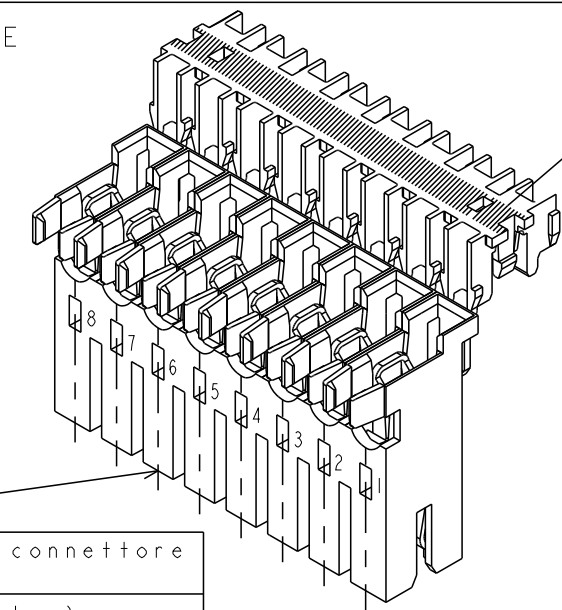
CONNETTORE COMPLETO DI CAVO (TERMINATED CONNECTOR)



22.5 max. (FOR REFERENCE ONLY)

LEGENDA (DESCRIPTION)

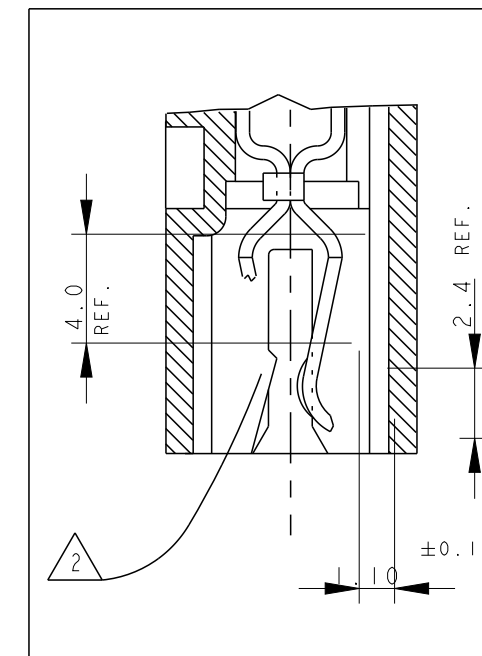
AMP MONO-SHAPE PCB CONNECTOR



① Parte anteriore connettore (Lafo cavi) (Top side connector) (Cable side)

lato banda colorata (Colour strip side)

1) PER LE DIMENSIONI DEGLI SCARICHI SUL PCB VEDERE FOGLIO 5 (FOR PCB LAYOUT AND DIMENSIONS SEE SHEET 5)



② GLI AGGANCI PER DIMA CIRCUITO STAMPATO, SONO SEMPRE RICAVATI SULLA SECONDA E PENULTIMA PARETE DEL BLOCCHETTO (INDICATI COME X-Y SUI DETTAGLI DEL DISEGNO) (LOCKING TEETH ARE OBTAINED ON THE SECOND AND THE SECOND-LAST WALL (NAMED X-Y ON RELEVANT DWG. DETAILS))

③ MARCHIO DI FABBRICA (LIBERA POSIZIONE) (TRADEMARK) (FREE POSITION)

④ NUMERI DI IDENTIFICAZIONE CAVITA' (CIRCUIT IDENTIFICATION)

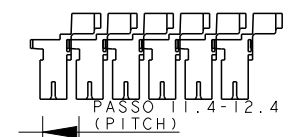
⑤ ADATTO PER SCHEDA CIRCUITO STAMPATO SPESSORE 1.5±0.14 (SUITABLE FOR P.C.B. THK. 1.5±0.14)

⑥ PN NOT YET RELEASED FOR PRODUCTION

⑫ INCLUDE LA POLARIZZAZIONE DOVE E' ESISTENTE (INCLUDING POLARIZATION KEY, WHEN EXISTING)

15) STATO DI FORNITURA: CONFEZIONAMENTO IN "VASSOI + SCATOLA" (PACKAGING: "ON TRAY PLUS CARTON BOX")

16) CONFEZIONAMENTO IN BOBINA OBSOLETATO (PACKAGING: "ON REEL" OBSOLETE)



17) APPROVAZIONE VDE, FILE No. 3905 (VDE APPROVAL, FILE No. 3905)

⑱ PROFILO "A" E' VALIDO PER OGNI CONFIGURAZIONE, PROFILO "B" E' AMMESSO SOLO PER I PN IDENTIFICATI IN TABELLA DALLA PRESENTE NOTA (SHAPE "A" VALID FOR EACH CONFIGURATION, SHAPE "B" IS PERMITTED ONLY ON PN WHERE THIS NOTE IS SHOWN ON RELEVANT DRAWING TABLE)

⑲ OBSOLETE: CIS STREAMLINING PER D.RENAUD/D.SINISI

⑳ OBSOLETE

⑳ PA GF, UL-V0 GWEPT 750°C NO FLAME, NATURAL


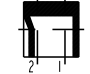


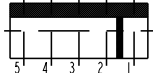



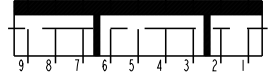



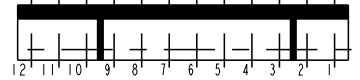
ITEM	DENOMINAZIONE (DESCRIPTION)	FINITURA/COLORE (FINISH/COLOUR)	MATERIALE (MATERIAL)
2	BLOCCHETTO (HOUSING)	NATURALE (NATURAL)	PA 6.6 CARICATO VETRO (POLIAMIDE 6.6 GLASSFIBER FILLED)
1	CONTATTO (CONTACT)	STAGNATO (TIN-PLATED)	OTTONE (BRASS)


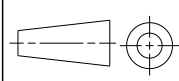
THIS DRAWING IS A CONTROLLED DOCUMENT.		DWN G. CORDOLA 23JUL1996	TE Connectivity MONO-SHAPE, MK1 PCB CONNECTOR 2-12 POS.
DIMENSIONS: mm		CHK G. TURCO 23JUL1996	
TOLERANCES UNLESS OTHERWISE SPECIFIED:		APVD G. TURCO 23JUL1996	
0 PLC ± 0.3 1 PLC ± 2 PLC ± 3 PLC ± 4 PLC ± ANGLES ±2°		PRODUCT SPEC 108-20067	
MATERIAL CONNETTORE NYLON (CONNECTOR NYLON) STAGNATO (TIN PLATED)		APPLICATION SPEC 114-20018	RESTRICTED TO
Customer Drawing		WEIGHT -	SIZE A2
		SCALE NO	SHEET 7 OF 9
		REV 16	

THIS DRAWING IS UNPUBLISHED. RELEASED FOR PUBLICATION
 © COPYRIGHT copyright.d8te ALL RIGHTS RESERVED.

LOC	DIST	REVISIONS					
		P	LTR	DESCRIPTION	DATE	DWN	APVD
-	-			SEE SHEET 1			

 PA GF, UL-V0 GWEPT 750°C NO FLAME, NATURAL

	NO of POS.	CONFIGURATION (SEE TYP. SECTION ONLY FOR REF ①)	ON TRAY PACKAGING VERSION	PART REV.	LOOSE PIECES PACKAGING VERSION	PART REV.	POLARIZ. POSITION (INTERVIA)	"L" (mm)	COLOR CODE
	2		2293372-2	I	-	-	-	9.9	BLUE
	3	-	2293372-3	I	-	-	-	14.9	-
	4	-	2293372-4	I	-	-	-	19.9	-
	5		2293372-5	Z	-	-	1-2	24.9	-
	6	-	2293372-6	I	-	-	-	29.9	-
	7		2293372-7	Z	-	-	-	34.9	-
	8	-	2293372-8	I	-	-	-	39.9	-
	9		2293372-9	Z	-	-	2-3 6-7	44.9	-
	10	-	1-2293372-0	I	-	-	-	49.9	-
	11	-	2297072-1	I	-	-	-	54.9	-
	12		2297072-2	I	-	-	2-3 9-10	59.9	-

THIS DRAWING IS A CONTROLLED DOCUMENT.		DWN C. CORDOLA 23 JUL 1996	 TE Connectivity MONO-SHAPE, MK I PCB CONNECTOR 2-12 POS.		
DIMENSIONS: mm		CHK G. TURCO 23 JUL 1996			NAME
TOLERANCES UNLESS OTHERWISE SPECIFIED:		APVD G. TURCO 23 JUL 1996			PRODUCT SPEC
		APPLICATION SPEC			RESTRICTED TO
0 PLC ± 1 PLC ± 2 PLC ± 0.3 3 PLC ± 4 PLC ± ANGLES ±2°		108-20067	SIZE		
MATERIAL CONNETTORE NYLON (CONNECTOR NYLON) CONTATTO OTTONE (CONTACT BRASS)		114-20018	CAGE CODE		
FINISH STAGNATO (TIN PLATED)		Customer Drawing	DRAWING NO		
		Customer Drawing	RESTRICTED TO		
		Customer Drawing	SCALE NO		
		Customer Drawing	SHEET 8 OF 9		
		Customer Drawing	REV Z 16		

THIS DRAWING IS UNPUBLISHED. RELEASED FOR PUBLICATION
 © COPYRIGHT copyright.dBTe - ALL RIGHTS RESERVED.

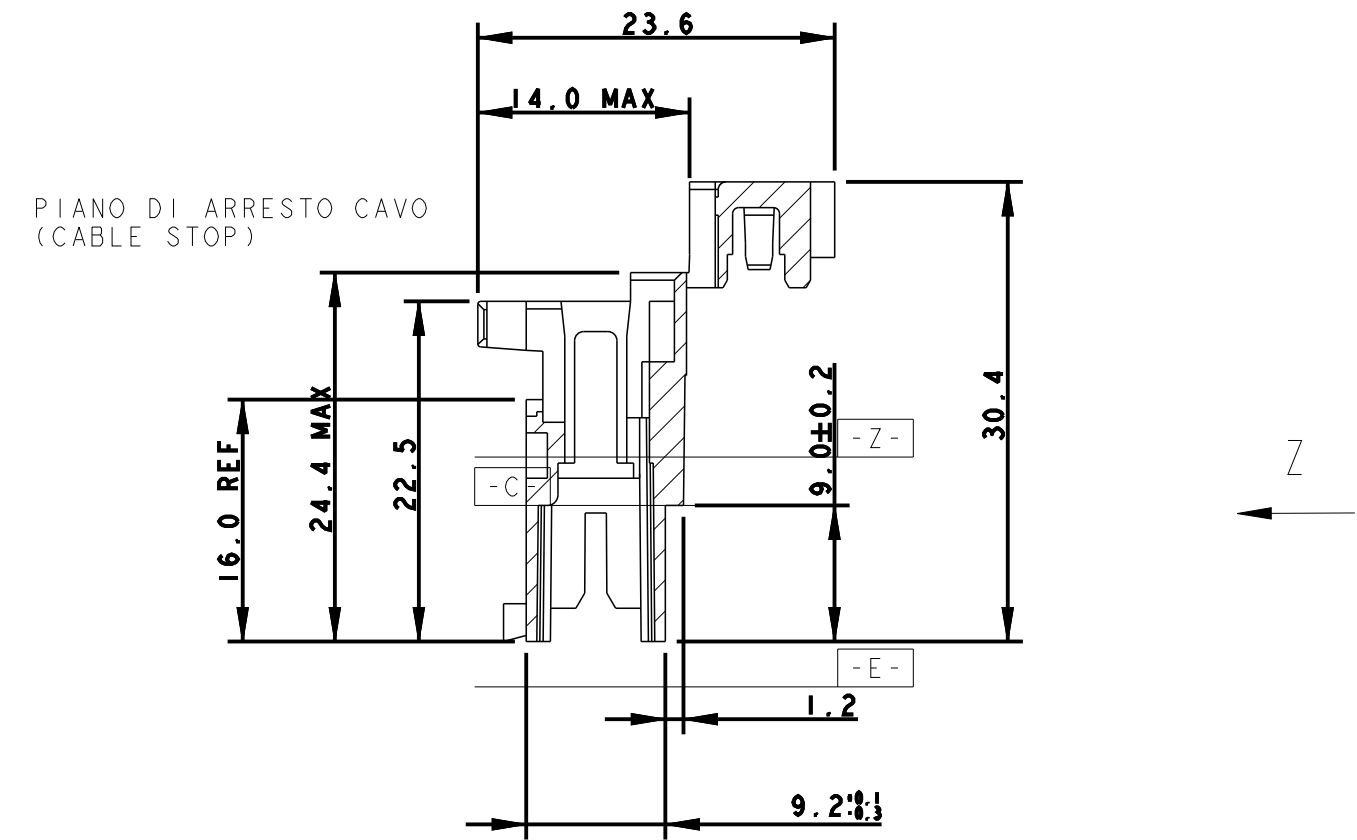
LOC		DIST		REVISIONS			
P	LTR	DESCRIPTION		DATE	DWN	APVD	
		SEE SHEET 1					

△ PA GF, UL-V0 GWEPT 750°C NO FLAME, NATURAL

LONG VERSION

	NO. OF POS.	CONFIGURATION (SEE TYP. SECTION ONLY FOR REF.) ①	ON TRAY PACKAGING VERSION	PART REV.	LOOSE PIECES PACKAGING VERSION	PART REV.	POLARIZ. POSITION (INTERVIA)	L (mm)	COLOR CODE
△6	2		2298752-2		-	-	-	9.9	BLUE
△6	3	-	2298752-3		-	-	-	14.9	-
△6	4	-	2298752-4		-	-	-	19.9	-
△6	5		2298752-5		-	-	1-2	24.9	-
△6	6	-	2298752-6		-	-	-	29.9	-
△6	7		2298752-7		-	-	-	34.9	-
△6	8	-	2298752-8		-	-	-	39.9	-
△6	9		2298752-9		-	-	2-3, 6-7	44.9	-
△6	10	-	1-2298752-0		-	-	-	49.9	-
△6	11	-	2298552-1		-	-	-	54.9	-
△6	12	-	2298552-2		-	-	-	59.9	-

VIEW APPLIES TO LONG VERSION ONLY



THIS DRAWING IS A CONTROLLED DOCUMENT.		DWN C. CORDOLA 23JUL1996	TE Connectivity	
DIMENSIONS: mm		CHK G. TURCO 23JUL1996		
TOLERANCES UNLESS OTHERWISE SPECIFIED:		APVD G. TURCO 23JUL1996	NAME MONO-SHAPE, MK1 PCB CONNECTOR 2-12 POS.	
0 PLC ±		PRODUCT SPEC	SIZE	
1 PLC ± 0.3		108-20067	CAGE CODE	
2 PLC ±		APPLICATION SPEC	DRAWING NO	
3 PLC ±		114-20018	RESTRICTED TO	
4 PLC ±		WEIGHT	A2 1	
ANGLES ±°		Customer Drawing	SCALE NO SHEET 9 OF 9 REV 16	
FINISH				
MATERIAL CONNETTORE NYLON (CONNECTOR NYLON) CONTATTO OTTONE (CONTACT BRASS)		STAGNATO (TIN PLATED)		