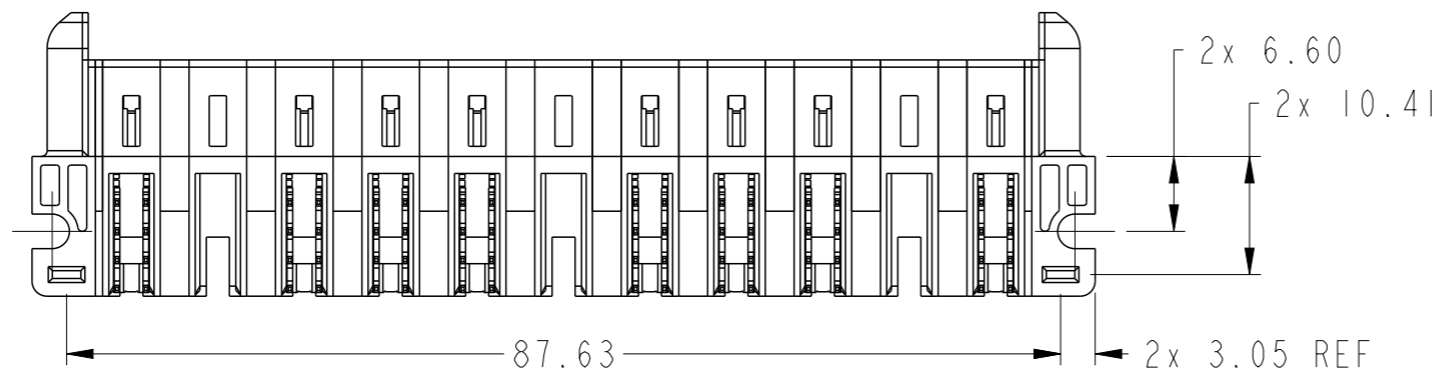
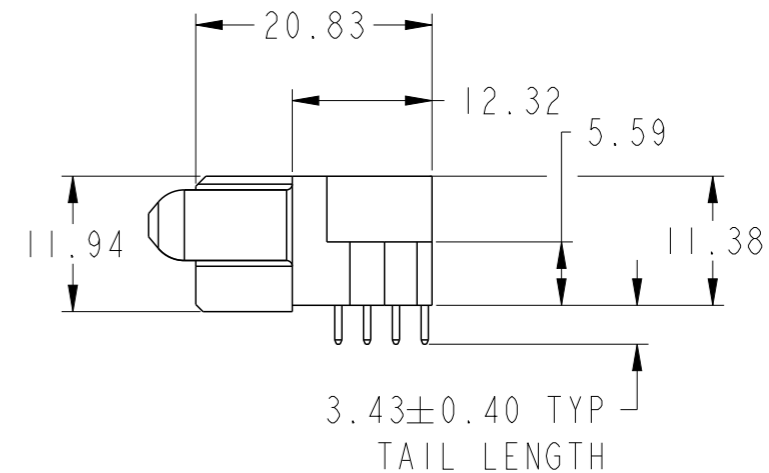
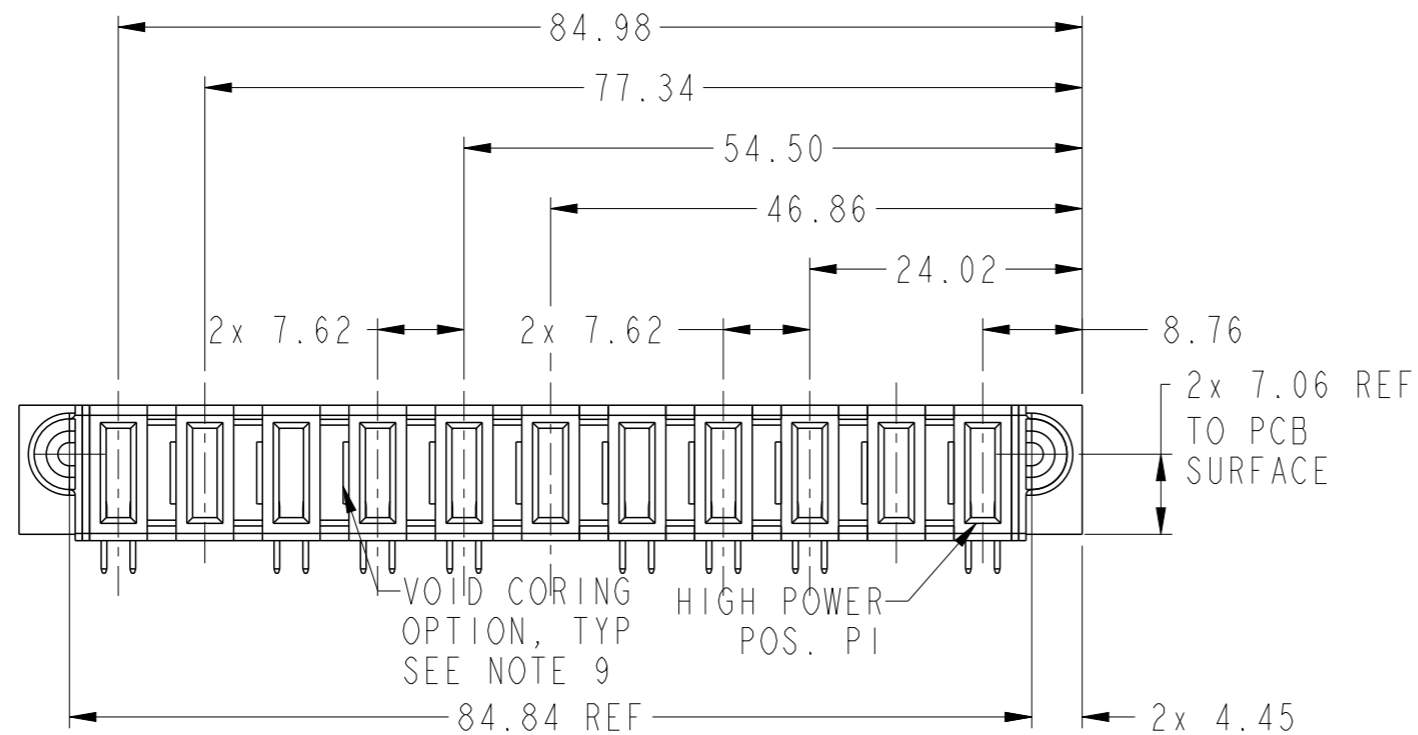


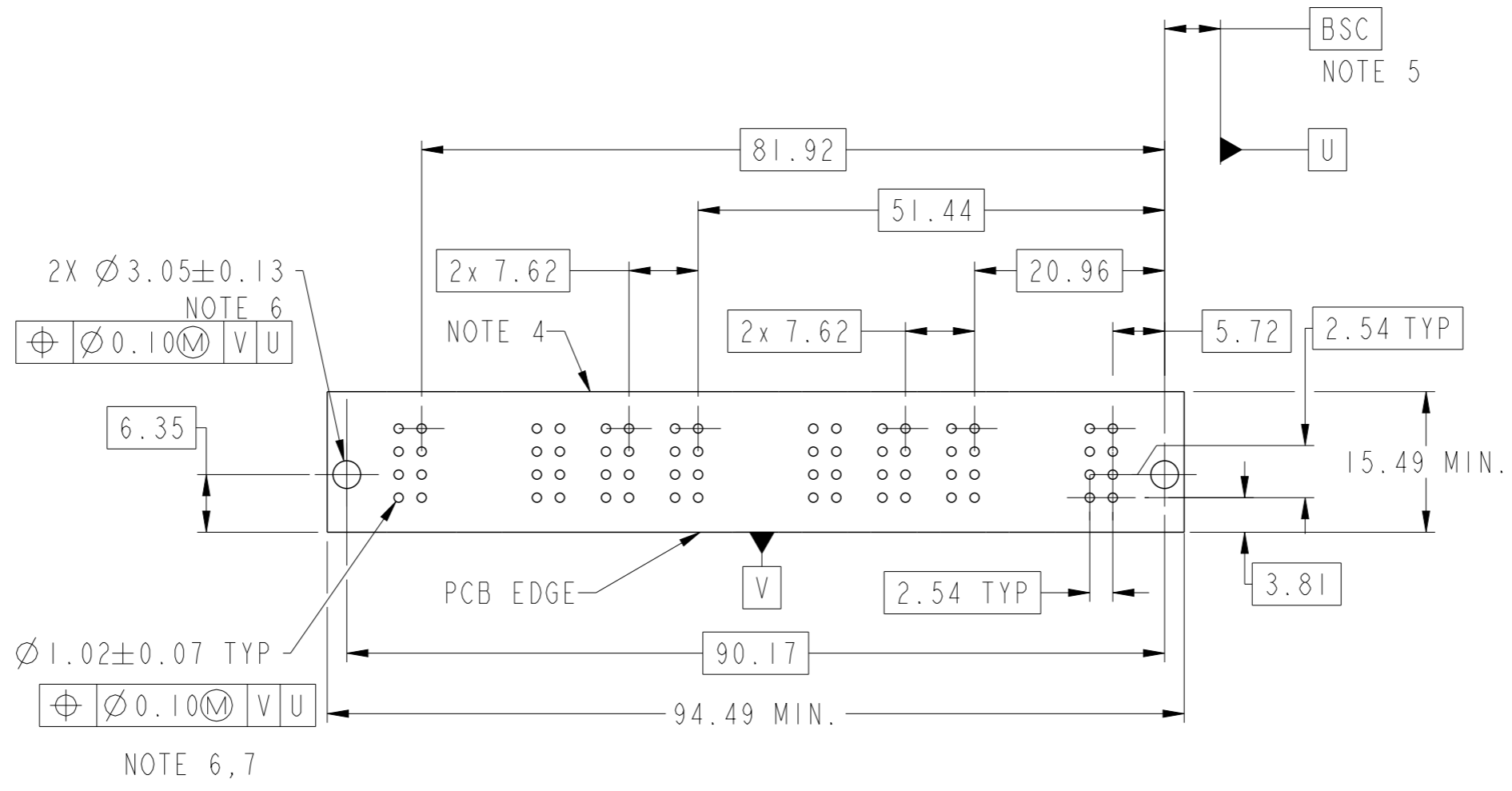
PRODUCT NUMBER SEE SHEET 2



spec ref	*	dr	Rainbow Zhan	2014/09/22	projection	MM	size	A3	scale	3:2
tolerance std	ASME Y14.5	eng	Rainbow Zhan	2014/09/28			ecn no	-	rel level	Released
TOLERANCES UNLESS OTHERWISE SPECIFIED		chr	Li-He	2014/09/28						
surface	<input checked="" type="checkbox"/> linear <input type="checkbox"/> angular	0.X ±0.5 0.XX ±0.25 0.XXX ±0.10			title IIACP RA STB RECEPTACLE	dwg no 10106118-B000001	rev A			
ASME Y14.5	angular	0° ±2°	www.fci.com	cat. no.	Product - Customer Drw		sheet 1 of 3			

PRODUCT NO.	ROWS	HIGH POWER												
		E1	P11	P10	P9	P8	P7	P6	P5	P4	P3	P2	P1	E2
10106118-B000001LF	DCBA													

CODE	DESCRIPTION
H1	MFBL HIGH POWER CONTACT(3.43)
X	OMITTED



2X Ø3.05±0.13
NOTE 6
⊕ Ø0.10Ⓜ V U

Ø1.02±0.07 TYP
NOTE 6,7
⊕ Ø0.10Ⓜ V U



Copyright FCI.

dr	Rainbow Zhan	2014/09/22	projection 	MM ←→	size	A3	scale	3:2
eng	Rainbow Zhan	2014/09/28			ecn no	-		
chr	Li-He	2014/09/28			rel level	Released		
appr	Pei-Ming Zheng	2014/09/28	product family	PwrBlade+	rel level	Released		
www.fci.com		cat. no.	Product - Customer Drw		sheet 2 of 3			
FCI		title	IIACP RA STB RECEPTACLE		rev	A		
		dwg no	10106118-B000001					

NOTES:

- 1) "FCI", PART NUMBER AND DATE CODE TO BE MARKED ON THIS SURFACE.
THE MARK CAN BE OMITTED IF THERE IS NOT ENOUGH SPACE ON THIS SURFACE.
- 2) MATERIALS:
-HOUSING - GLASS FILLED WITH HIGH TEMP THERMOPLASTIC, UL94V-0.
-SIGNAL CONTACT - COPPER ALLOY.
-POWER CONTACT - HIGH CONDUCTIVITY COPPER ALLOY.
- 3) PLATING SPECIFICATION REFER TO FCI 10116351
- 4) DENOTES CONNECTOR KEEP OUT ZONE.
- 5) DATUM AND BASIC DIMENIONS WERE ESTABLISHED BY CUSTOMER.
- 6) ALL HOLE DIAMETERS ARE FINISHED HOLE SIZES.
- 7) 1.15 ± 0.025 MM DRILLED HOLE PLATED WITH 0.00762MM MIN Sn
OVER 0.0254-0.0762MM Cu PLATING TO ACHIEVE A 1.02 ± 0.07 MM HOLE.
- 8) PRODUCT SPECIFICATION REFER TO FCI GS-12-658.
APPLICATION SPECIFICATION REFER TO FCI GS-20-141.
PRODUCT PACKAGED IN TRAYS, REFER TO FCI GS-14-1502.
- 9) THE VOID CORING IN BETWEEN POWER MODULES, SIGNAL
MODULES AND END MODULES ARE OPTIONAL AND THE SHAPE
MAY BE DIFFERENT FOR OPTIMIZE THE MOLDING PROCESS. THE
VOID CORING WILL NOT EFFECT TO PRODUCT FUNCTION.



Copyright FCI.

dr	Rainbow Zhan	2014/09/22	projection 	MM 	size	A3	scale	3:2
eng	Rainbow Zhan	2014/09/28			ecn no	-		
chr	Li-He	2014/09/28			rel level	Released		
appr	Pei-Ming Zheng	2014/09/28			product family	PwrBlade+		
		title IIACP RA STB RECEPTACLE	cat. no. Product - Customer Drw	dwg no 10106118-B000001	rev A	sheet 3 of 3		