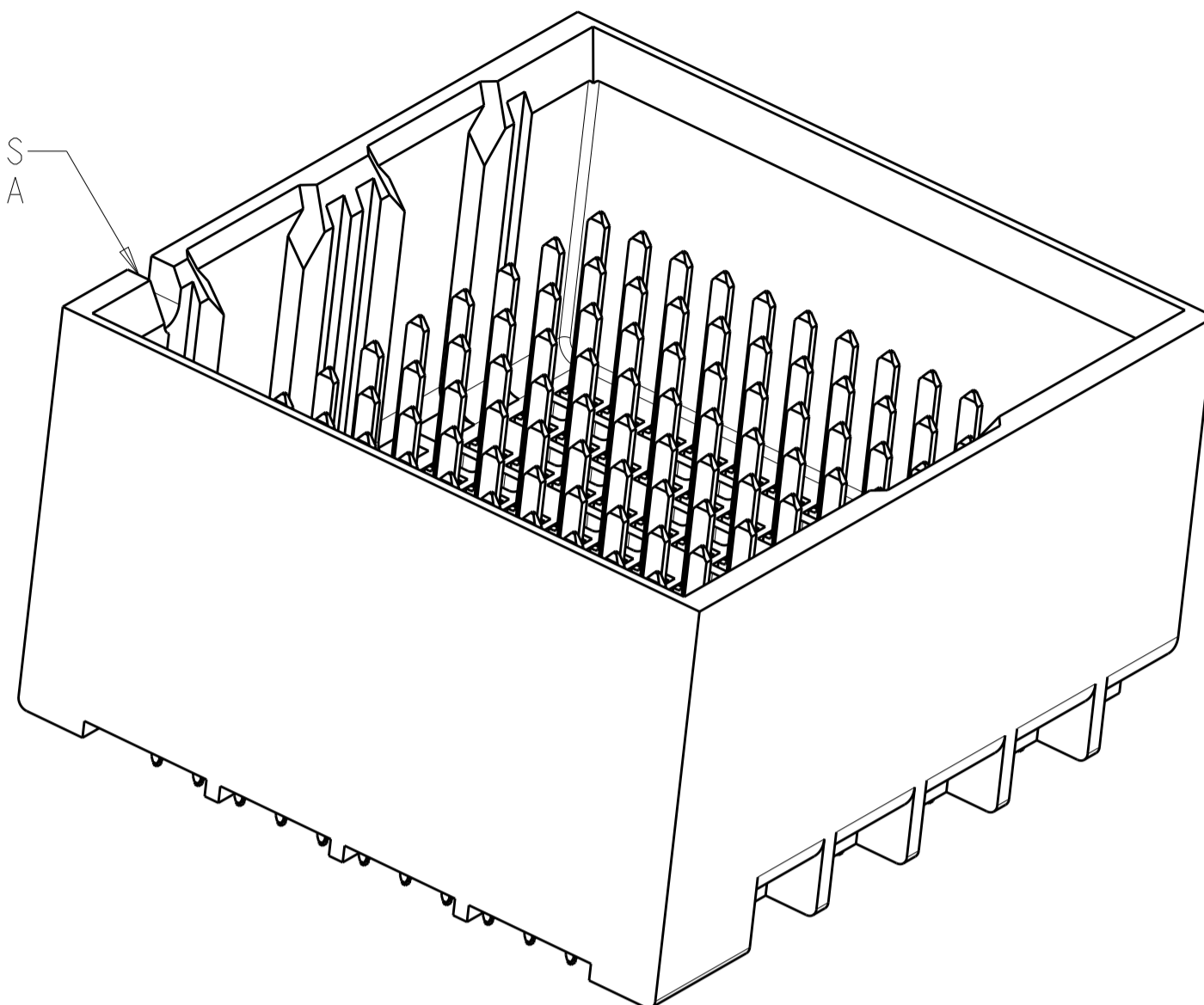
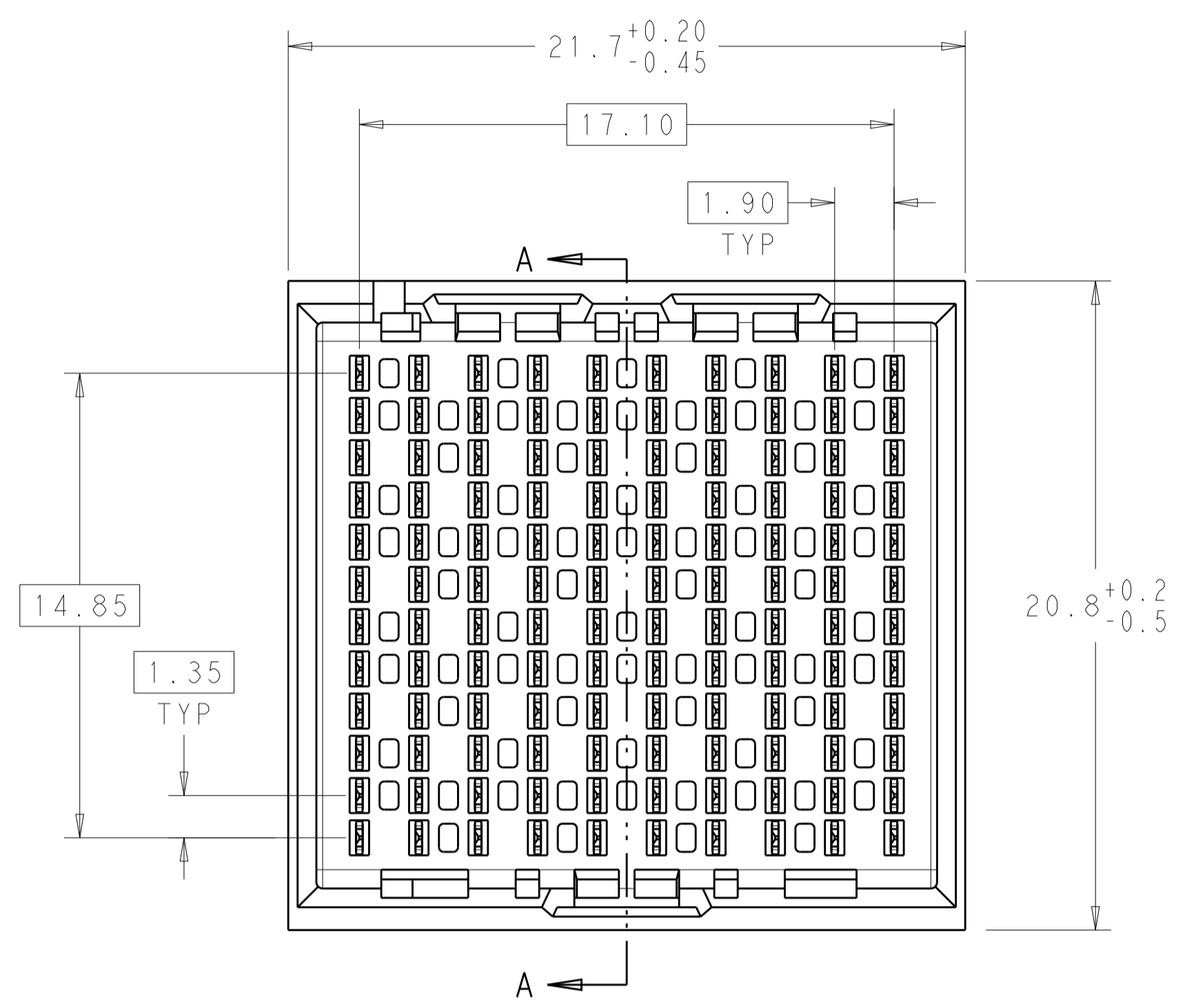


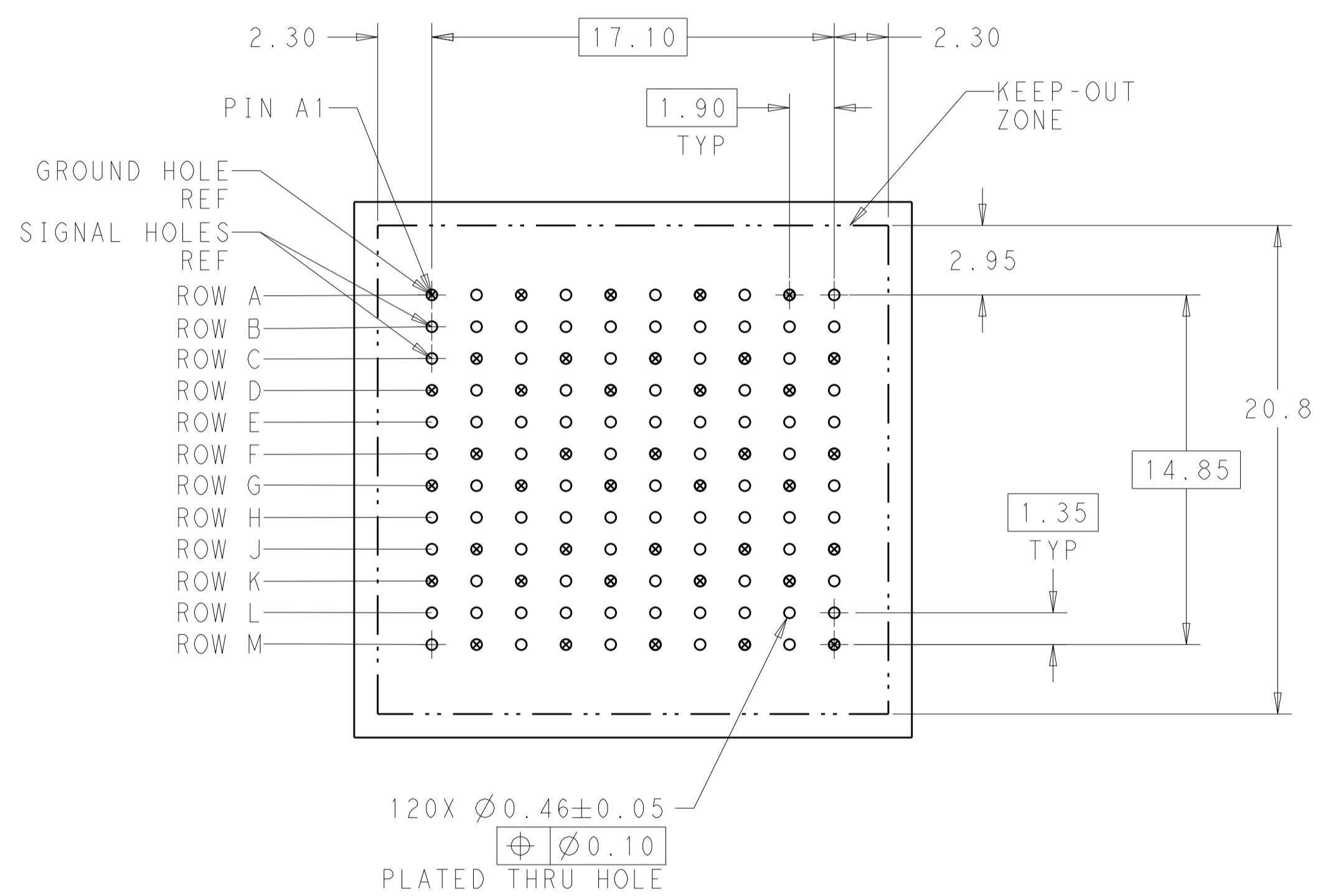
REVISIONS				
P.	LTN.	DESCRIPTION	DATE	APVD.
A1		REVISED PER ECO-15-001494	04FEB2015	AP DD

NOTCH DESIGNATES ROW A

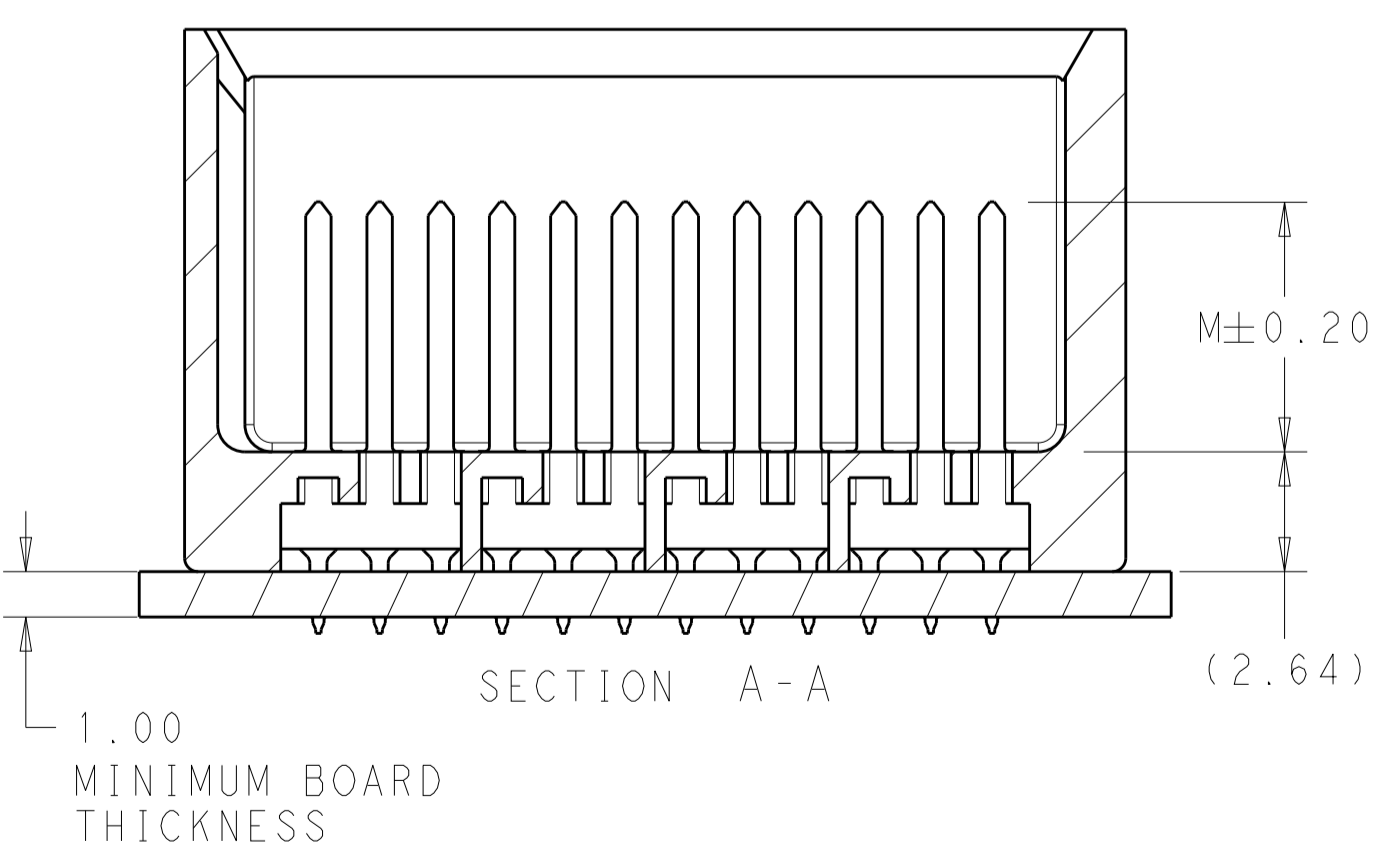
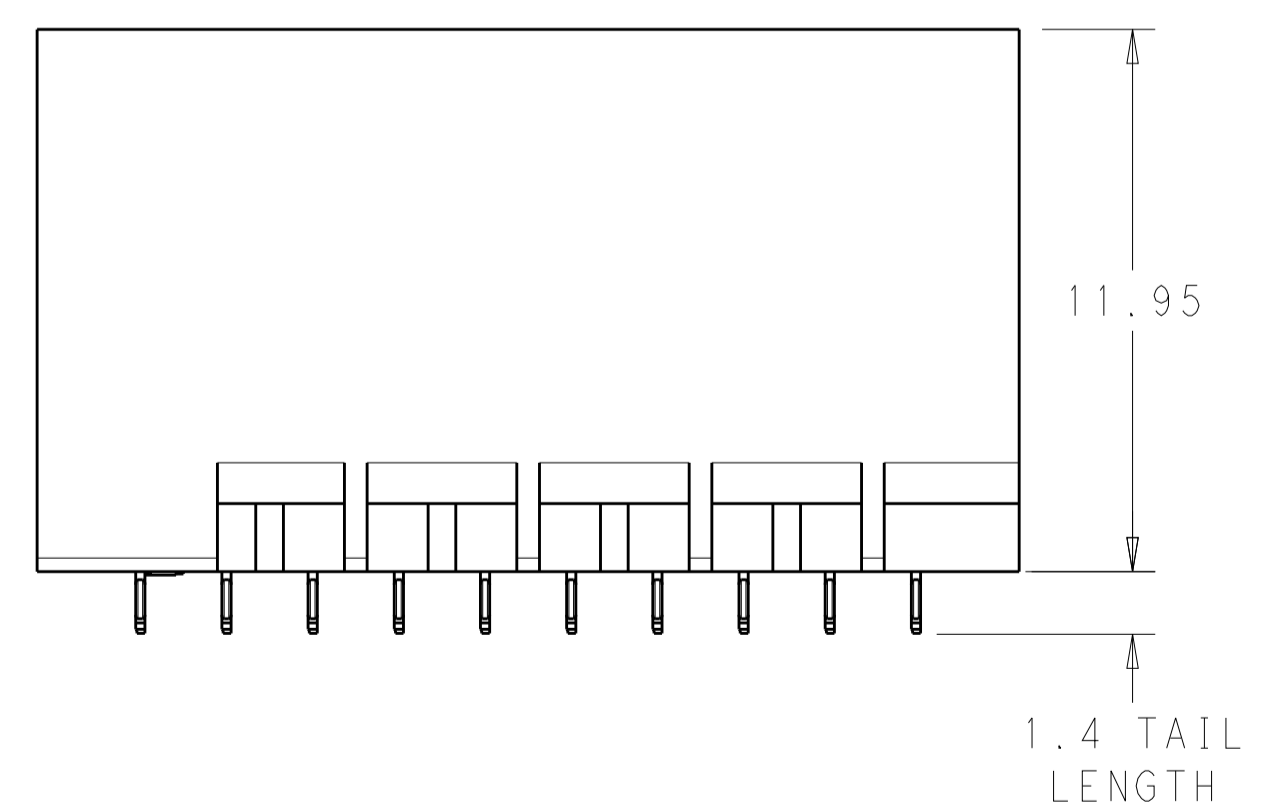


△ MATERIAL:
HOUSING: LCP, GLASS FILLED, UL94V-0.
TERMINALS: HIGH PERFORMANCE COPPER ALLOY.

△ FINISH:
30μ" MIN GOLD IN CONTACT AREA. SELECTIVE TIN ON PCB TAILS, NICKEL OVERALL.



UNGUIDED BACKPLANE HOLE PATTERN (CONNECTOR SIDE)



THIS DRAWING IS A CONTROLLED DOCUMENT.		DWN J. K. SHOBER 03JAN2011 CHK J. EARY 03JAN2011 APVD J. EARY 03JAN2011	TE Connectivity
DIMENSIONS: mm 	TOLERANCES UNLESS OTHERWISE SPECIFIED: 0 PLC ± 1 PLC ±0.25 2 PLC ±0.13 3 PLC ± 4 PLC ± ANGLES ±	NAME PRODUCT SPEC APPLICATION SPEC SIZE CAGE CODE DRAWING NO WEIGHT CUSTOMER DRAWING	

THIS DRAWING IS UNPUBLISHED.	RELEASED FOR PUBLICATION	20
© COPYRIGHT 20	BY -	ALL RIGHTS RESERVED.

REVISIONS					
P.	LTN	DESCRIPTION	DATE	DMN	APVD
-	-	SEE SHEET 1	-	-	-

	5.5	2007818-3
	4.9	2007818-2
	4.5	2007818-1
FINISH	DIM M	PART NUMBER

REFER TO WWW.TE.COM
FOR PRODUCT AVAILABILITY

THIS DRAWING IS A CONTROLLED DOCUMENT.		DMN J. K. SHOBER	03JAN2011		TE Connectivity
DIMENSIONS:		CHK J. EARY	03JAN2011		
mm	TOLERANCES UNLESS OTHERWISE SPECIFIED:	APVD J. EARY	03JAN2011	NAME	IMPACT, 4 PAIR, 10 COLUMN, HEADER
	0 PLC ±	PRODUCT SPEC	-	UNGUIDED, DUAL END WALL	SIGNAL MODULE, 0.46 PTH
	1 PLC ±0.25	APPLICATION SPEC	-	SIZE	A1
	2 PLC ±0.13	WEIGHT	-	CAGE CODE	00779
	3 PLC ±	CUSTOMER DRAWING	-	DRAWING NO	C=2007818
	4 PLC ±	SCALE	5:1	SHEET	2 OF 2
	ANGLES ±	REV	A1		
MATERIAL	FINISH				
-	SEE TABLE				
-	-				