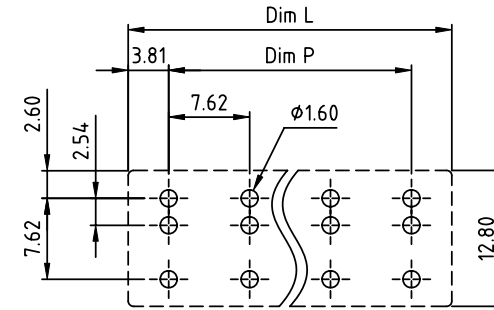
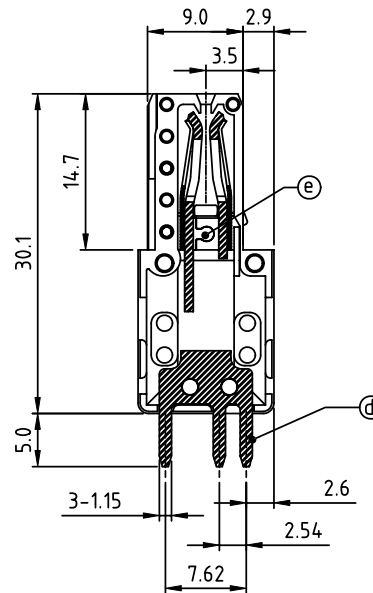
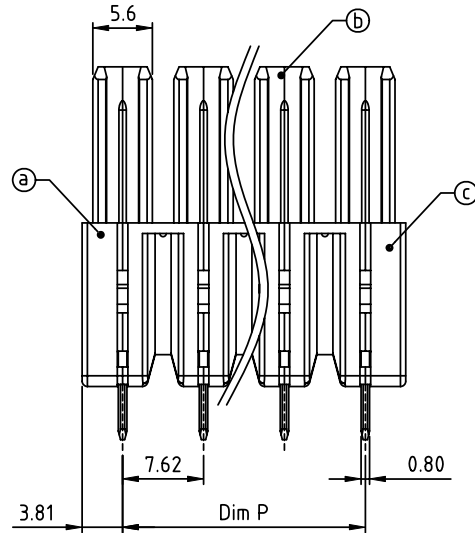
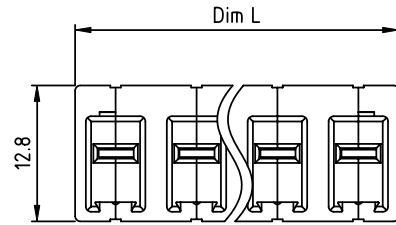


PRODUCT NUMBER	PITCH
KSxx01x000J0G	7.62 mm



RECOMMENDED P.C.B LAYOUT
TOP VIEW

Material:

- Item ① Left Cover :Thermoplastic (UL94 - V0)
- Item ② Middel Body :Thermoplastic (UL94 - V0)
- Item ③ Right Cover :Thermoplastic (UL94 - V0)
- Item ④ Pin: Copper Tin plated
- Item ⑤ Wire guard:Stainless Steel (ET 7.62)

Electrical: cULus

- Voltage rating: 300V
- Current rating: 41A
- Withstanding Voltage:1.6 KV
- Operating temperature:-40°C to +115°C
- Soldering temperature:260°C±5°C/5 Sec
- Safety approval: cULus

PART NO.: K S xx 0 1 x 0 00J0 G

N=Number of poles

Dim L	N × 7.62
Dim P	(N-1) × 7.62

Dimension

Poles	Tolerance
2P-5P	±0.20
6P-8P	±0.30
9P-12P	±0.35
13P-16P	±0.40

End stackable	No. of poles	Color	RoHS compliant (lead<4% in copper Alloy)
0	2	Black (RAL9005)	
02	2	Red (RAL3001/D)	
03	3	Orange(RAL2011/P)	
...	...	4 Yellow(RAL1018/A)	
...	...	5 Green(RAL6018/T)	
16	16	6 Blue (RAL5015/A)	
		8 Grey(RAL7035/D)	
		9 White(RAL1102)	
		C Green(RAL6018/U)	

mat'l. code		surface ASME Y14.5	tolerance ASME Y14.5	projection	product family TERMINAL BLOCK
ltr	ecn no	dr	date	tolerances unless otherwise specified	title TERMINAL BLOCK
				angles X°±1°	PLUGGABLE PLUG, WITH SOLDER PIN, VERTICAL
				scale	sheet 1 of 1 size
		dr	EVIN ZHONG	050614	FCI KSxx01x000J0G A4
		enrg	EVIN ZHONG	050614	
		chr	HANKE FENG	050614	
		appd	SHI JUN	050614	
sheet index	revision sheet	A	1		type CUSTOMER Drawing