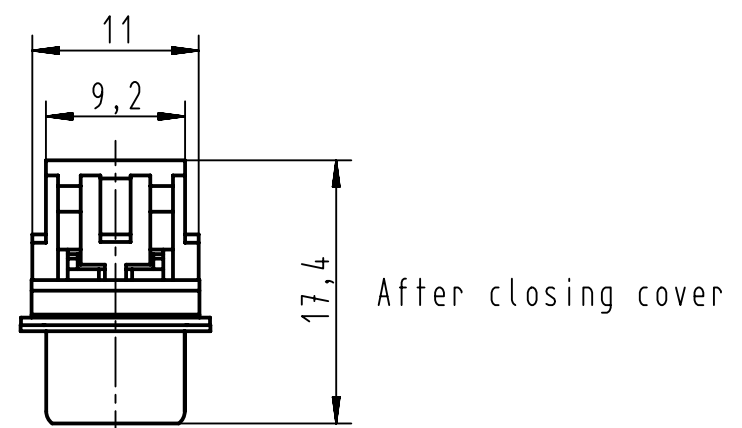
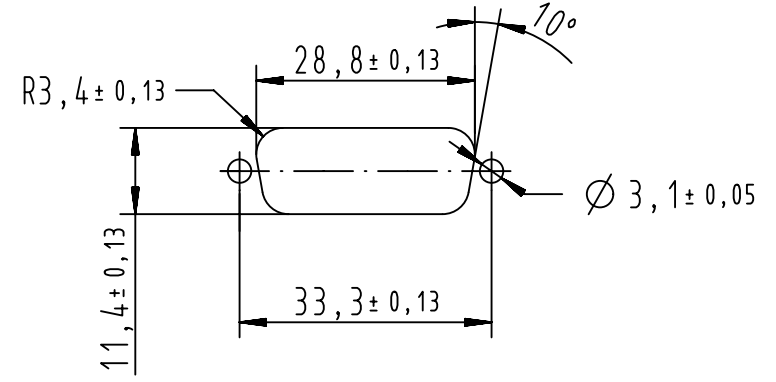
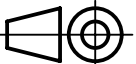



Recommended panel cutout dimensions
for rear mounting
According to CECC 75 301-802



After closing cover

| | | | | | |
|--|--|--------------------------------------|---------------------------|-----------------------------|------------------------|
|  All Dimensions in mm Original Size DIN A4 | | Scale 2:1 | Free size tol. | | Ref. |
|  All rights reserved Department EC PD - FR | | Created by DOUGE | Inspected by BAGDIKIAN | Standardisation HOFFMANN | Sub. |
| HARTING Electronics GmbH D-32339 Espelkamp | | Title D-Sub IDC 15P male straight | | | Date 2013-04-23 |
| Part number Performance level | | Type TB | Number 0966228X700 | | State Final Release |
| Doc-Key / ECM-Nr. 100527189/UGD/001/A 5300000858839 | | | | | Rev. A |
| | | | | | Page 1/1 |

A
B
C
D

1 2 3 4 5 6