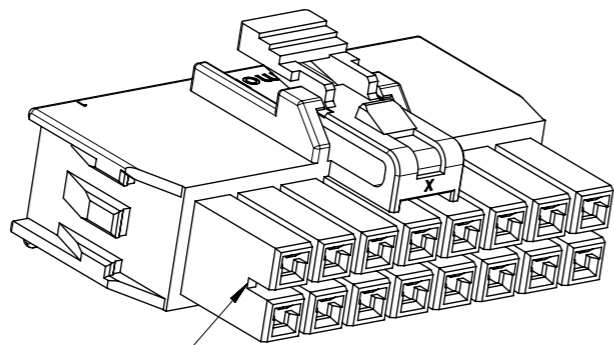


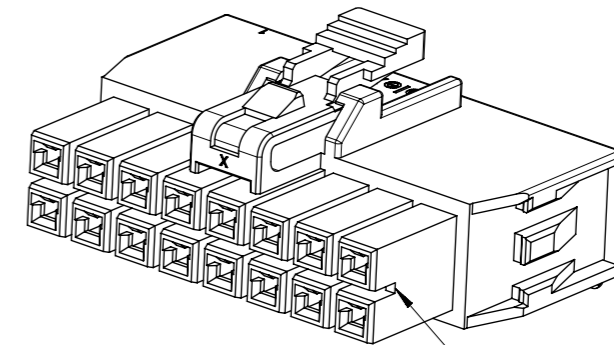
NOTES:

1. MATERIAL:  
 OPTION 1: PA4T, 30% GLASS FILLED, 94V-0, BLACK  
 OPTION 2: PA4T, 30 GLASS FILLED, 94V-0, NATUAL.
2. PRODUCT SPECIFICATION: PS-105300-100.
3. PACKAGE SPECIFICATION: PK-105308-100.
4. THE COMPONENT COMPLIANT TO RoHS DIRECTIVE 2011/65/EU AND ELV DIRECTIVE 2000/53/EC.
5. TO MATE WITH TERMINAL OF 105300-\*\*\*\*.  
 TO MATE WITH TPA OF 105325-\*\*\*\*.  
 TO MATE WITH HEADER OF 105310-\*\*\*\*, 105312-\*\*\*\* AND 105314-\*\*\*\*.
6. PARTS CONFORM TO CLASS 'B' REQUIREMENTS OF COSMETIC SPECIFICATION PS-45499-002.
7. APPLICATION SPECIFICATION: AS-105300-100.

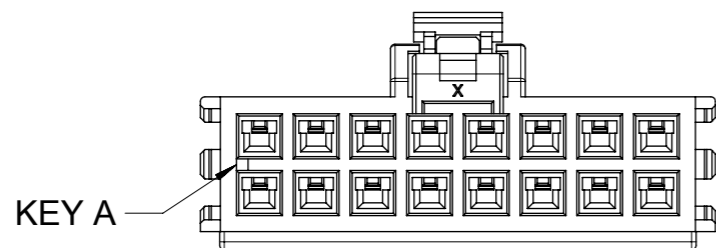
THIS DRAWING CONTAINS INFORMATION THAT IS PROPRIETARY TO MOLEX ELECTRONIC TECHNOLOGIES, LLC AND SHOULD NOT BE USED WITHOUT WRITTEN PERMISSION											
QUALITY SYMBOLS	2016/03/30	2016/04/26	GENERAL TOLERANCES (UNLESS SPECIFIED)		DIMENSION UNITS	SCALE					
			ANGULAR TOL ± 3.0 °		MM	3:1					
▽A = 0	EC NO: 103921	DRWN: GLLI	4 PLACES	±	DRWN BY	DATE	RECEPTACLE OF NANO-FIT, D/R, TPA POWER CONNECTOR  PRODUCT CUSTOMER DRAWING				
▽E = 0			3 PLACES	±	GLLI	2014/08/13					
▽B = 0			2 PLACES	± 0.2	CHK'D BY	DATE					
▼ = 0			1 PLACE	± 0.3	APPR BY	DATE					
▽C = 0			0 PLACES	±	AYIN	2015/04/08					
⊠ = 0			DRAFT WHERE APPLICABLE MUST REMAIN WITHIN DIMENSIONS		DRAWING SIZE	THIRD ANGLE PROJECTION					
■ = 0	B		A3		105308	SEE SHEET 4	GENERAL MARKET				
▽ = 0	REV APPR: AYIN				DOCUMENT NUMBER		DOC TYPE	DOC PART	SHEET NUMBER		
					SD-105308-100		PSD	000	1 OF 4		



KEY A

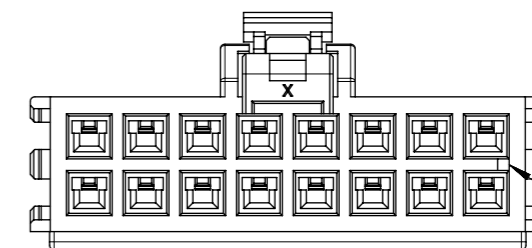


KEY B



KEY A

BLACK

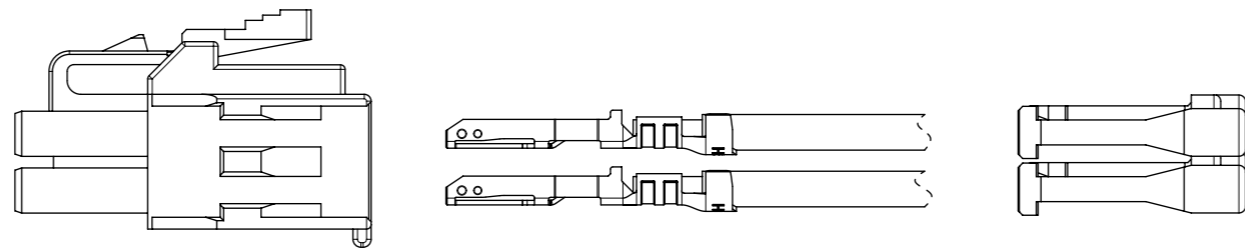


KEY B

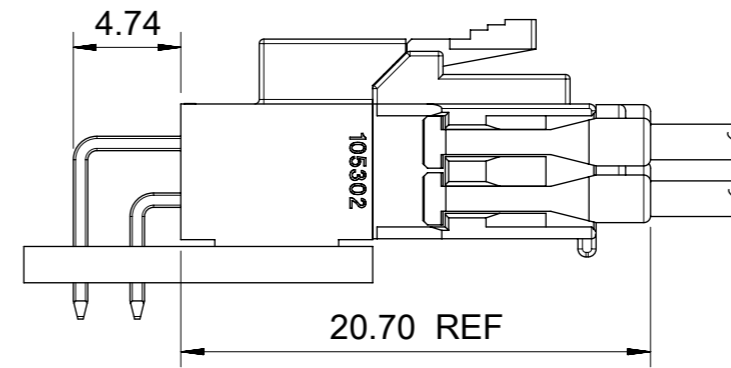
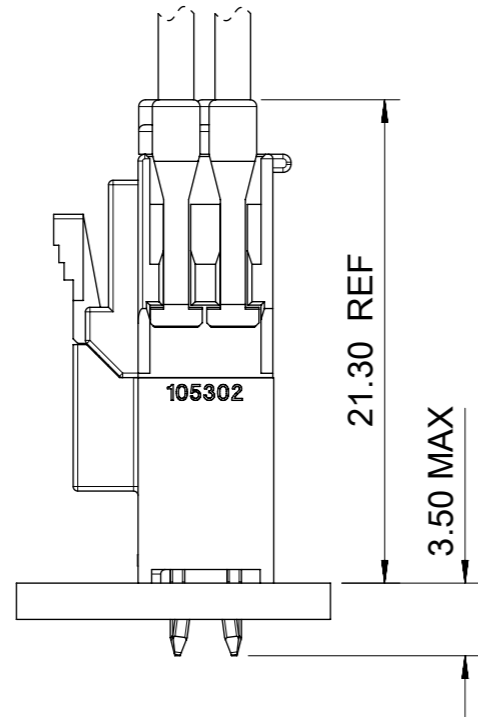
NATURAL

COLOR OPTION

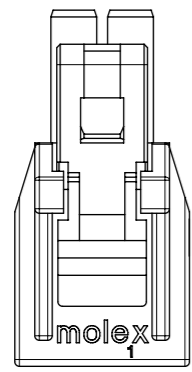
THIS DRAWING CONTAINS INFORMATION THAT IS PROPRIETARY TO MOLEX ELECTRONIC TECHNOLOGIES, LLC AND SHOULD NOT BE USED WITHOUT WRITTEN PERMISSION													
<b>QUALITY SYMBOLS</b> ▽ <sub>A</sub> = 0 ▽ <sub>E</sub> = 0 ▽ <sub>F</sub> = 0 ▼ = 0 ▽ <sub>C</sub> = 0 ⊠ = 0 ■ = 0 ▽ = 0	EC NO: 103921 DRWN: GLLI CHK'D: APPR: AYIN	2016/03/30 2016/04/26	GENERAL TOLERANCES (UNLESS SPECIFIED)		DIMENSION UNITS	SCALE							
			ANGULAR TOL ± 3.0 °		MM	3:1							
			4 PLACES ±	DRWN BY		DATE		RECEPTACLE OF NANO-FIT, D/R, TPA POWER CONNECTOR					
			3 PLACES ±	GLLI		2014/08/13							
			2 PLACES ± 0.2	CHK'D BY		DATE		PRODUCT CUSTOMER DRAWING					
			1 PLACE ± 0.3	APPR BY		DATE							
			0 PLACES ±	DRAFT WHERE APPLICABLE MUST REMAIN WITHIN DIMENSIONS		DRAWING SIZE	THIRD ANGLE PROJECTION	SERIES	MATERIAL NUMBER	CUSTOMER			
						A3		105308	SEE SHEET 4	GENERAL MARKET			
								DOCUMENT NUMBER		DOC TYPE	DOC PART	SHEET NUMBER	
								SD-105308-100		PSD	000	2 OF 4	



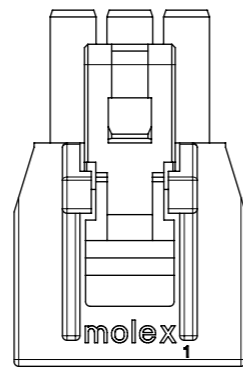
TERMINAL AND TPA ORIENTATION



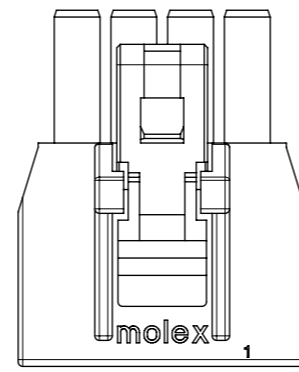
<b>QUALITY SYMBOLS</b> ▽A = 0 ▽E = 0 ▽F = 0 ▼ = 0 ▽C = 0 ⊗ = 0 ■ = 0 ▽ = 0	THIS DRAWING CONTAINS INFORMATION THAT IS PROPRIETARY TO MOLEX ELECTRONIC TECHNOLOGIES, LLC AND SHOULD NOT BE USED WITHOUT WRITTEN PERMISSION									
	2016/03/30	2016/04/26	GENERAL TOLERANCES (UNLESS SPECIFIED)		DIMENSION UNITS	SCALE				
			ANGULAR TOL ± 3.0 °		MM	3:1				
	EC NO: 103921 DRWN: GLLI CHK'D: AYIN APPR: AYIN	<b>B</b>	4 PLACES	±	DRWN BY	DATE	RECEPTACLE OF NANO-FIT, D/R, TPA POWER CONNECTOR			
			3 PLACES	±	GLLI	2014/08/13				
			2 PLACES	± 0.2	CHK'D BY	DATE	PRODUCT CUSTOMER DRAWING			
			1 PLACE	± 0.3	APPR BY	DATE				
			0 PLACES	±	AYIN	2015/04/08	SERIES	MATERIAL NUMBER	CUSTOMER	
	DRAFT WHERE APPLICABLE MUST REMAIN WITHIN DIMENSIONS		DRAWING SIZE	THIRD ANGLE PROJECTION	A3	105308	SEE SHEET 4	GENERAL MARKET		
						DOCUMENT NUMBER	DOC TYPE	DOC PART	SHEET NUMBER	
					SD-105308-100	PSD	000	3 OF 4		



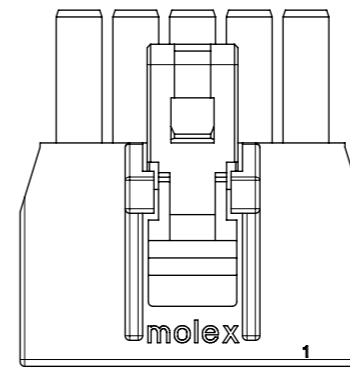
4 CKT



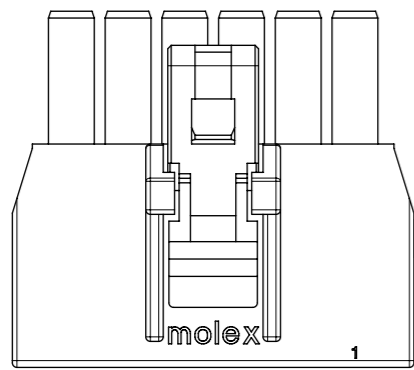
6 CKT



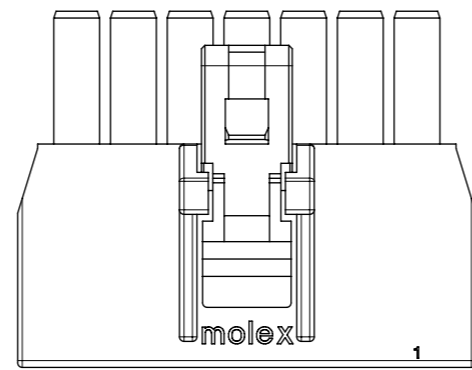
8 CKT



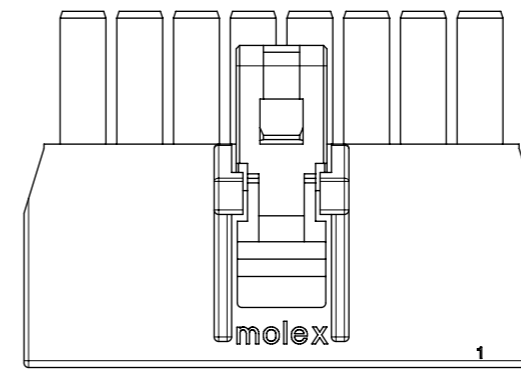
10 CKT



12 CKT



14 CKT



16 CKT

WITH TPA FEATURE			
PART No	DIM 'A'	CKT SIZE	COLOR
105308-1204	7.70	4	BLACK (KEY A)
105308-1206	10.20	6	
105308-1208	12.70	8	
105308-1210	15.20	10	
105308-1212	17.70	12	
105308-1214	20.20	14	
105308-2204	7.70	4	NATURAL (KEY B)
105308-2206	10.20	6	
105308-2208	12.70	8	
105308-2210	15.20	10	
105308-2212	17.70	12	
105308-2214	20.20	14	
105308-2216	22.70	16	

105308- \* \* \* \*

CIRCUIT SIZE

TPA OPTION: 1 - STANDARD  
2 - WITH TPA

COLOR OPTION: 1 - BLACK  
2 - NATURAL

THIS DRAWING CONTAINS INFORMATION THAT IS PROPRIETARY TO MOLEX ELECTRONIC TECHNOLOGIES, LLC AND SHOULD NOT BE USED WITHOUT WRITTEN PERMISSION											
QUALITY SYMBOLS		2016/03/30		2016/04/26		GENERAL TOLERANCES (UNLESS SPECIFIED)		DIMENSION UNITS		SCALE	
▽A	= 0	2016/03/30		2016/04/26		ANGULAR TOL ± 3.0 °		MM		3:1	
▽E	= 0	2016/03/30		2016/04/26		4 PLACES ±		DRWN BY		DATE	
▽F	= 0	2016/03/30		2016/04/26		3 PLACES ±		GLLI		2014/08/13	
▽G	= 0	2016/03/30		2016/04/26		2 PLACES ± 0.2		CHK'D BY		DATE	
▽H	= 0	2016/03/30		2016/04/26		1 PLACE ± 0.3		APPR BY		DATE	
▽I	= 0	2016/03/30		2016/04/26		0 PLACES ±		AYIN		2015/04/08	
▽J	= 0	2016/03/30		2016/04/26		DRAFT WHERE APPLICABLE MUST REMAIN WITHIN DIMENSIONS		DRAWING SIZE		THIRD ANGLE PROJECTION	
▽K	= 0	2016/03/30		2016/04/26				A3			
▽L	= 0	2016/03/30		2016/04/26							
<div style="display: flex; justify-content: space-between;"> <div> <p>EC NO: 103921</p> <p>DRWN: GLLI</p> <p>CHK'D: AYIN</p> <p>APPR: AYIN</p> </div> <div> <p>RECEPTACLE OF NANO-FIT, D/R, TPA POWER CONNECTOR</p> </div> <div> <p><b>molex</b></p> </div> </div>											
PRODUCT CUSTOMER DRAWING											
SERIES		MATERIAL NUMBER			CUSTOMER						
105308		SEE CHART			GENERAL MARKET						
DOCUMENT NUMBER				DOC TYPE		DOC PART		SHEET NUMBER			
SD-105308-100				PSD		000		4 OF 4			