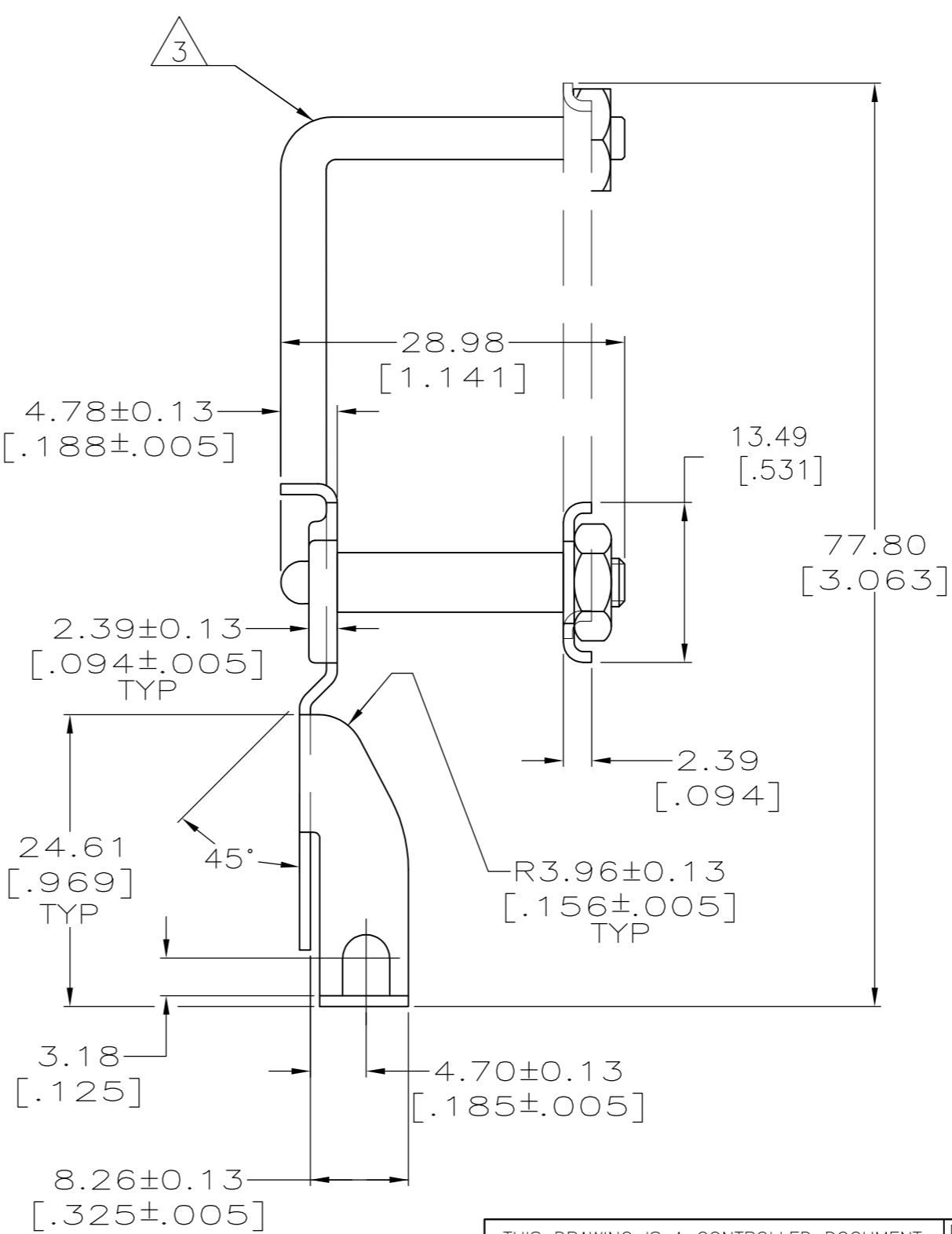
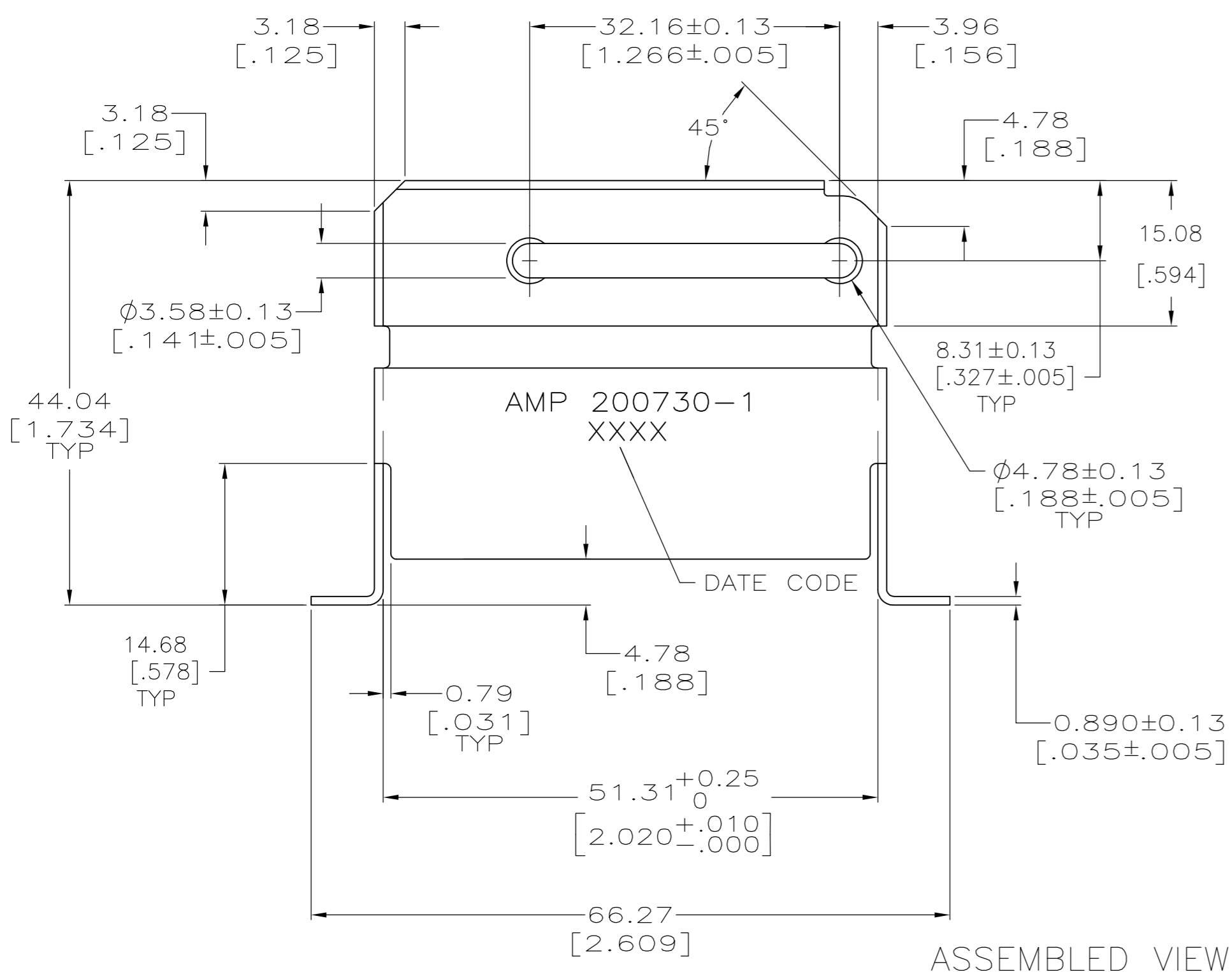
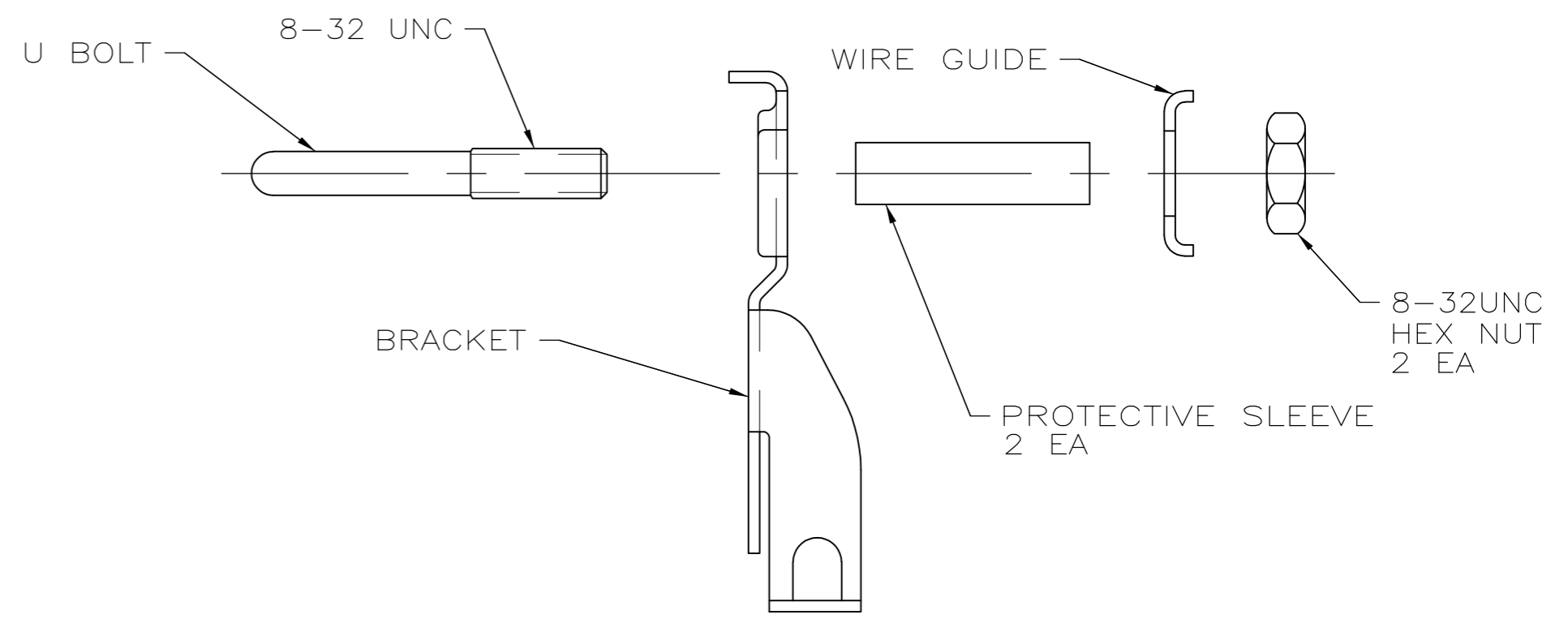
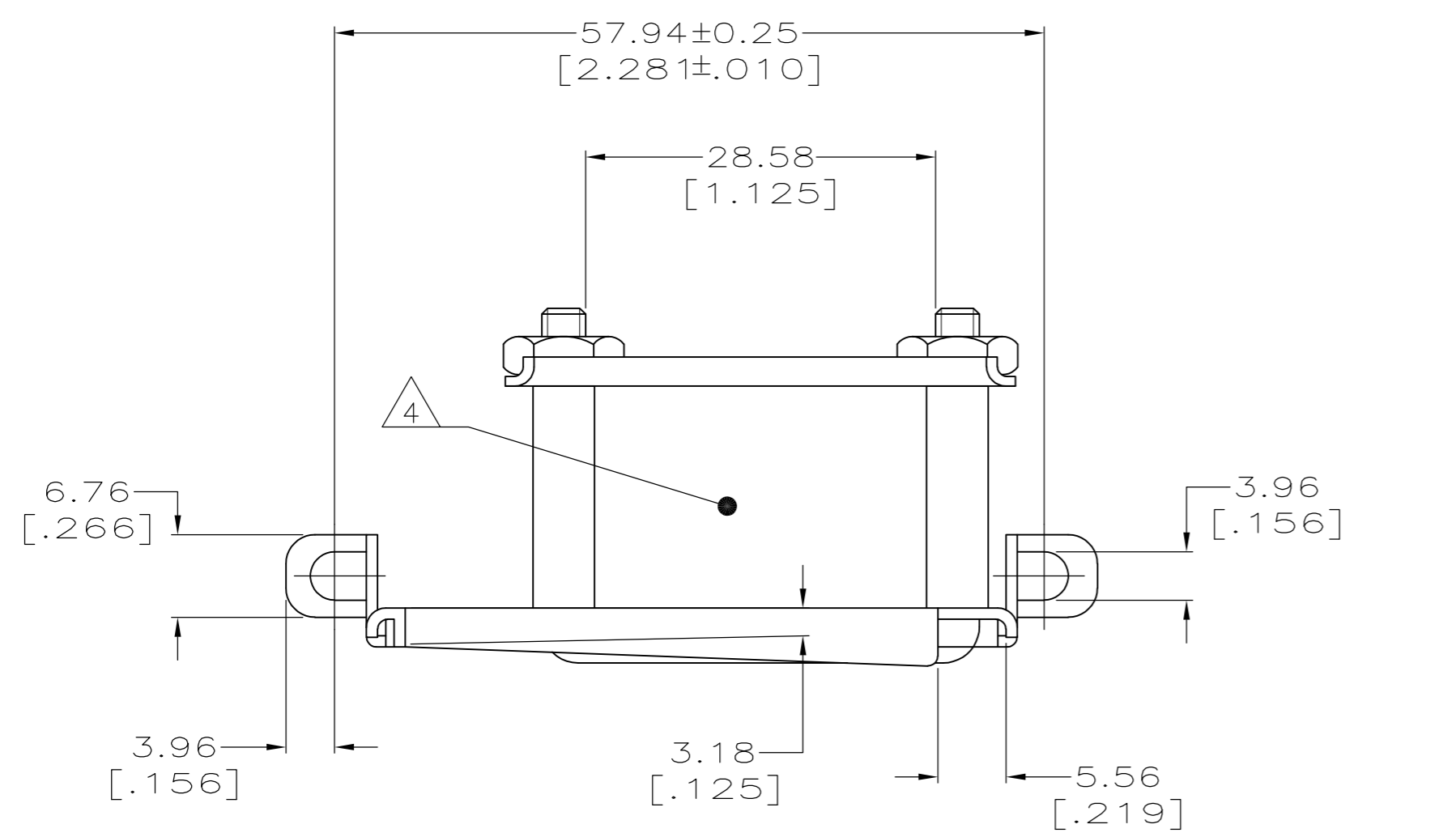


THIS DRAWING IS UNPUBLISHED. RELEASED FOR PUBLICATION
 © COPYRIGHT BY TYCO ELECTRONICS CORPORATION. ALL INTERNATIONAL RIGHTS RESERVED.

LOC	DIST	REVISIONS					
FT	0	P	LTR	DESCRIPTION	DATE	DWN	APVD
		M		REVISED PER ECO-10-021995	12JAN11	HMR	MG



- 1 BRACKET, HEX NUT & WIRE GUIDE: CARBON STEEL. U BOLT: STAINLESS STEEL. PROTECTIVE SLEEVE: POLYVINYL CHLORIDE.
- 2 BRACKET & WIRE GUIDE: 5.08um[.000200] MIN NICKEL. HEX NUT: ZINC PLATED. U BOLT: PASSIVATED.
- 3 ALTERNATE POSITION OF U BOLT FOR 90° CABLE OUTLET.
- 4 513.55 SQ mm[.796 SQ IN] MAX CABLE CLAMP AREA.

200730-4	200730-1
SUPERSEDED BY 200730-4	
PART NUMBER	

THIS DRAWING IS A CONTROLLED DOCUMENT.		DWN M.BINNER 5 AUG 96	Tyco Electronics Corporation Harrisburg, PA 17105-3608	
DIMENSIONS: mm [INCHES]		CHK R.STONE 13 AUG 96	NAME	
TOLERANCES UNLESS OTHERWISE SPECIFIED:		APVD G.STEINHAUER 21 JAN 97	PRODUCT SPEC	
0 PLC ± -		APPLICATION SPEC		
1 PLC ± -		114-10015		
2 PLC ± 0.41 [.016]		WEIGHT -		
3 PLC ± -		CUSTOMER DRAWING		
4 PLC ± -		SCALE 2:1 SHEET 1 OF 1 REV M		
ANGLES ± -		SIZE A2 CAGE CODE 00779 DRAWING NO C=200730 RESTRICTED TO -		
FINISH -		MATERIAL -		

ASSEMBLED VIEW