

| 4 | | 3 | | 2 | | 1 | |
|------|--------------------|-------------------------------|-----------|-----------|---------------------|------------------------------|------------------------------|
| ITEM | CONNECTOR PART NO. | DESCRIPTION | IPI CHECK | EOR CHECK | Applicable Tooling | | |
| 1 | SVF-61T-P2.0 | VL CONNECTOR - FEMALE CONTACT | | | APPLICATOR | | |
| 2 | UL1015, 14 AWG | BLACK | | | Applicable Housings | | |
| | | | | | NO. OF CIRCUITS | HOUSING PART NO. INNER LOCKS | HOUSING PART NO. OUTER LOCKS |

| | | |
|----|---------|------------|
| 1 | VLP-01V | VLP-01V-1 |
| 2 | VLP-02V | VLP-02V-1 |
| 3 | VLP-03V | VLP-03V-1 |
| 4 | VLP-04V | VLP-04V-1 |
| 4 | - | VLP-04VN-1 |
| 6 | VLP-06V | VLP-06V-1 |
| 8 | VLP-08V | VLP-08V-1 |
| 12 | VLP-12V | VLP-12V-1 |

D

D

C

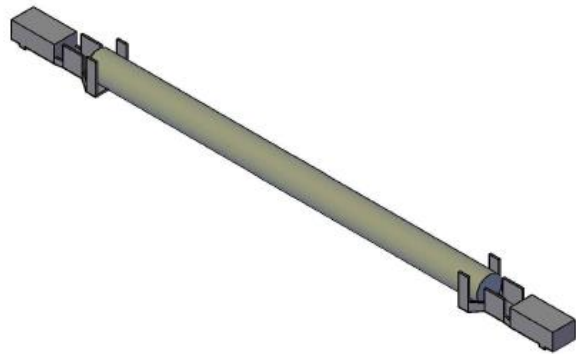
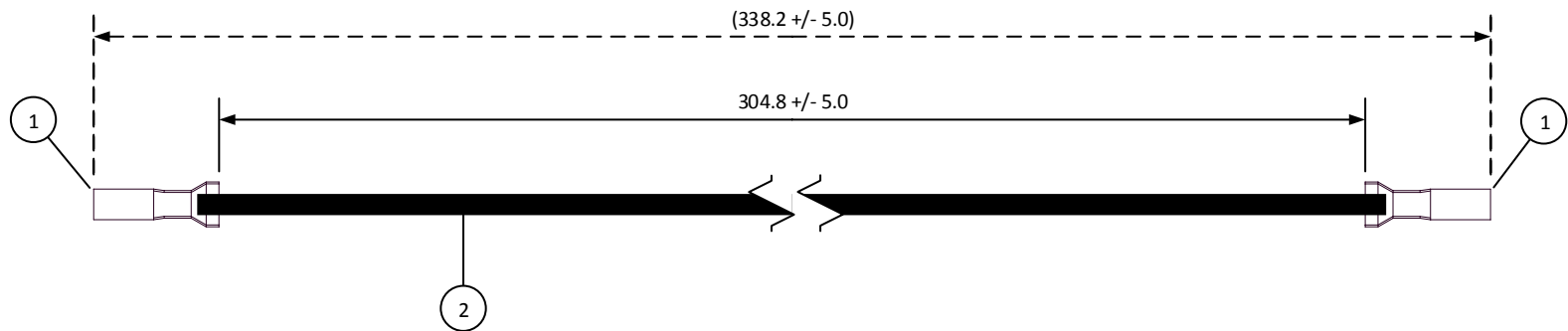
C

B

B

A

A



JST

| | | |
|--|---|-------------------|
| SCALE | CUSTOMER NAME | CUSTOMER PART NO. |
| 1: 1 | | |
| DIMENSIONS | DESCRIPTION | |
| All dimensions are in MM with a tolerance of +/- 3.0 unless otherwise specified. | 6.2 mm Pitch VL Series Standard Leads - 12" Inside Length DOUBLE-END LEADS, F-F | |
| DRAWN BY | ASSEMBLY PART NO. | |
| STEVEN PILKINGTON | ASVFSVF14K305 | |
| CHECKED BY | DRAWING NO. & REVISION | REVISED |
| JUSTIN BAKER | GAM-099 | 3/10/2016 |

| REV. | DESCRIPTION | DATE | BY |
|------|-------------|------|----|
|------|-------------|------|----|

4

3

2

1