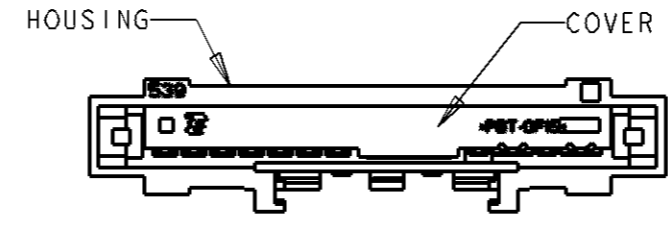
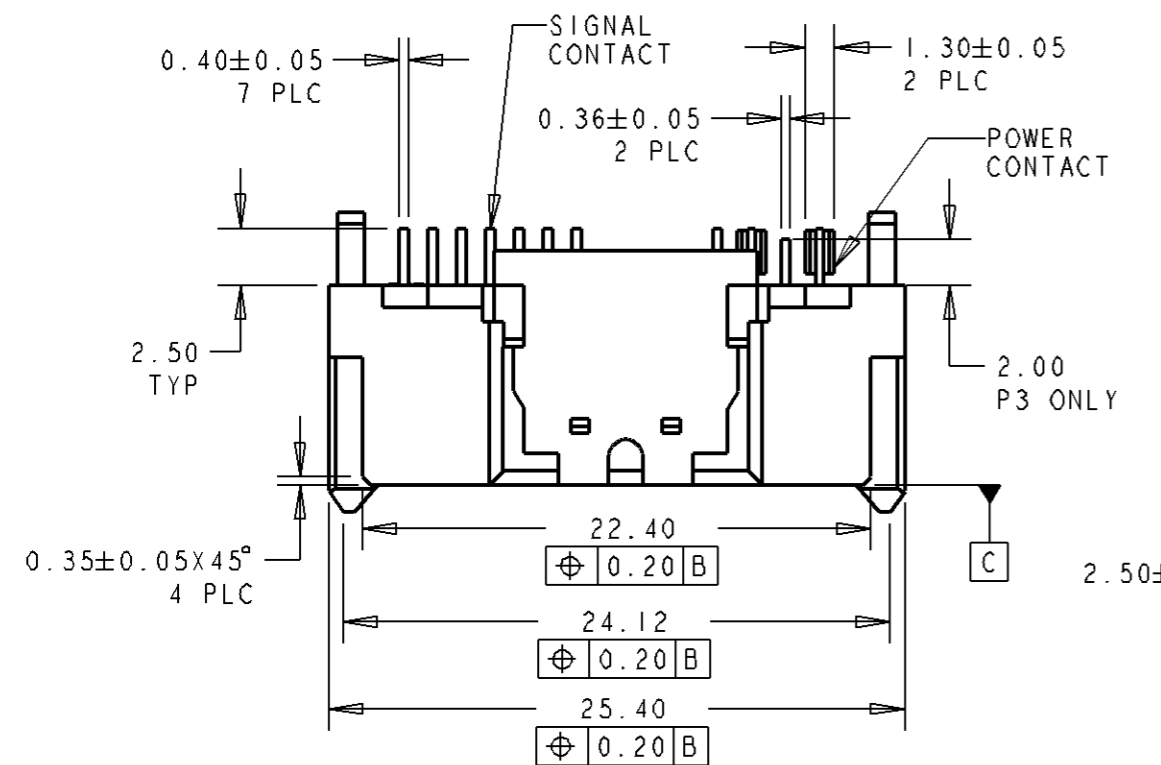


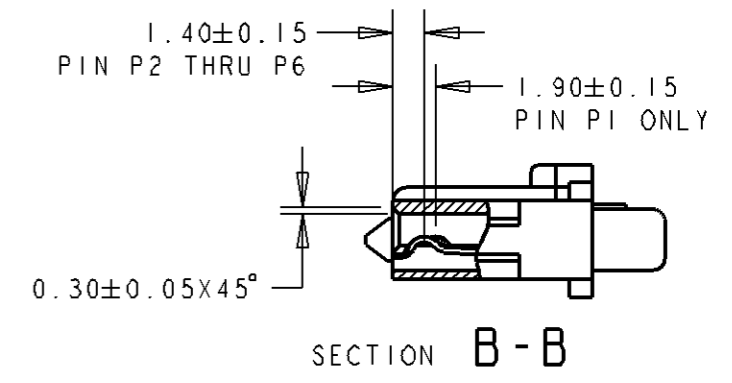
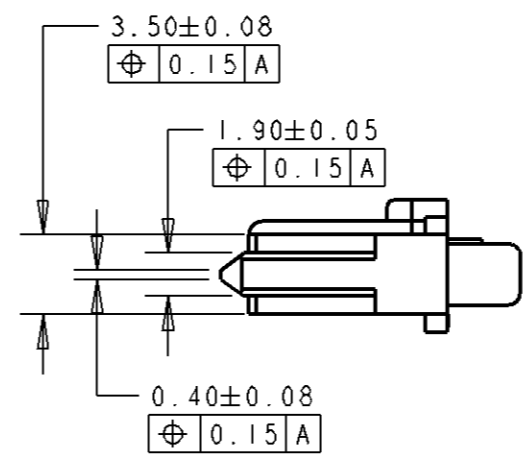
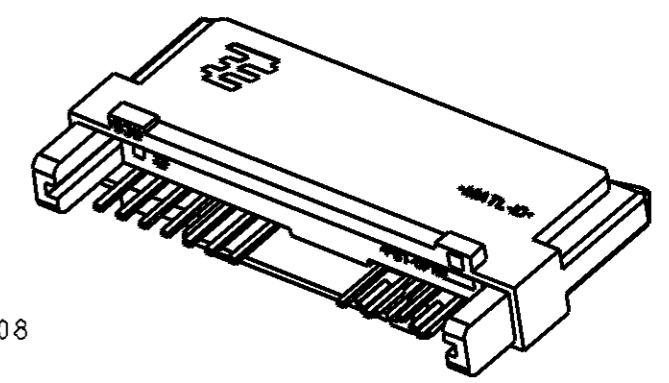
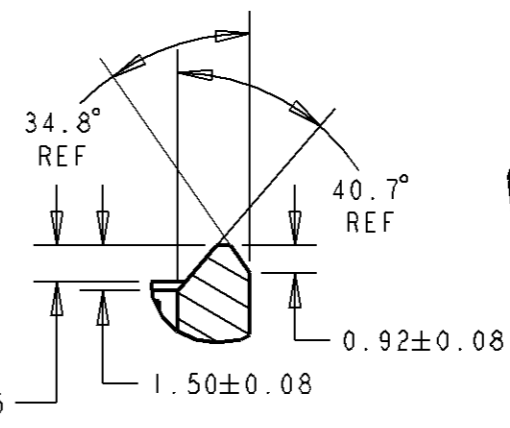
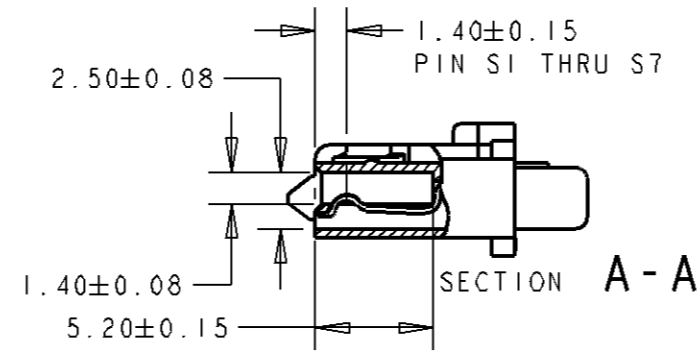
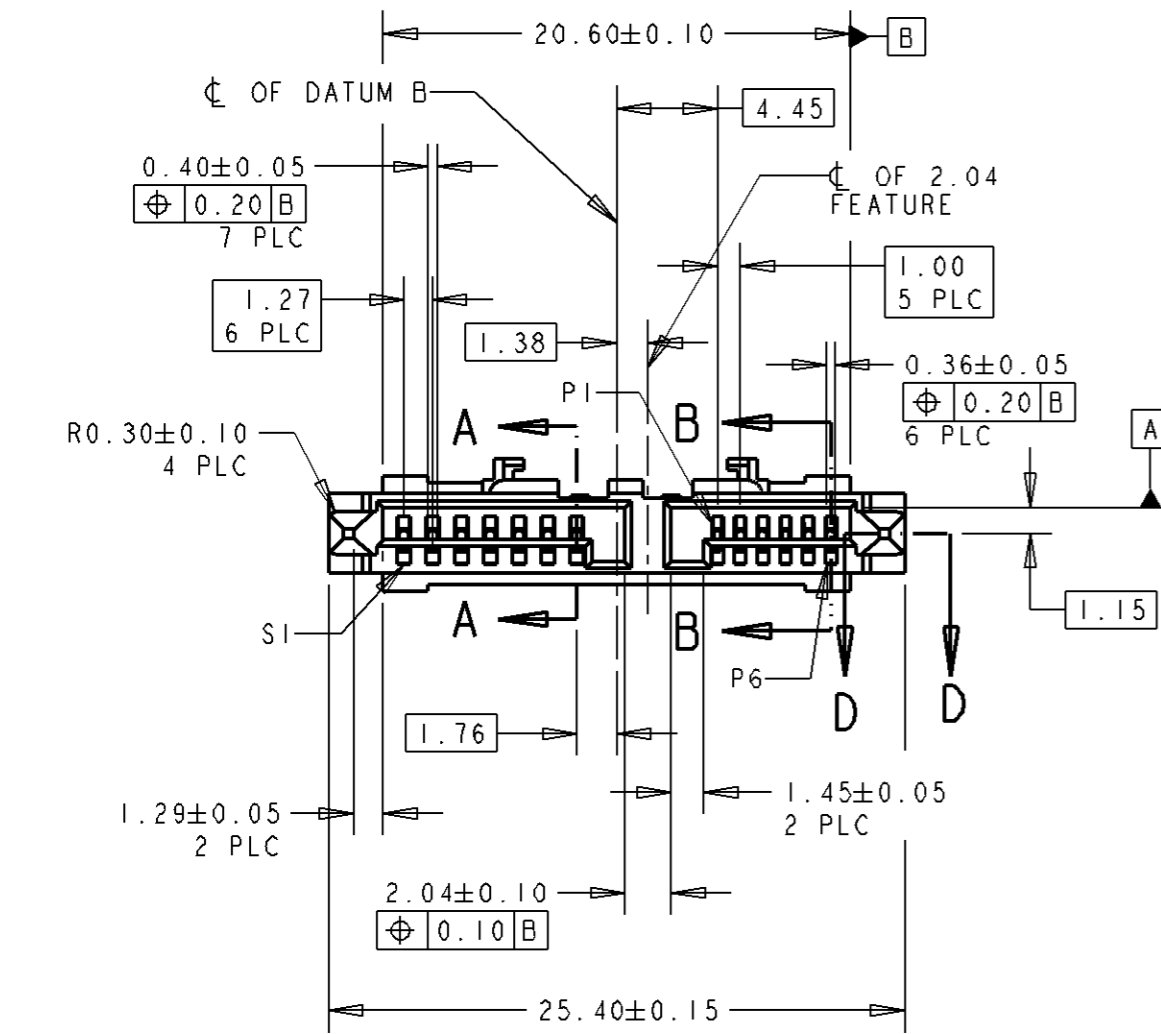
LOC		DIST		REVISIONS					
DY		-		P	LTR	DESCRIPTION	DATE	DWN	APVD
				D		REVISED ECR-09-007596	03NOV08	PTY	LSF



NOTES:

1 MATERIAL:
 HOUSING: THERMOPLASTIC, UL94V-0, COLOR: BLACK
 COVERS: THERMOPLASTIC, UL94V-0, COLOR: BLACK
 CONTACT: COPPER ALLOY

2 FINISH:
 CONTACT MATING AREA: 0.76um MIN GOLD PLATING
 CONTACT SOLDER TAIL: MIN 2.54um MATTE TIN PLATING
 UNDERPLATE: MIN 1.27um NICKEL PLATING ALL OVER



NYLON	1735616-2
HOUSING MATERIAL	PART NUMBER

THIS DRAWING IS A CONTROLLED DOCUMENT FOR AMP INCORPORATED. IT IS SUBJECT TO CHANGE AND THE CONTROLLING ENGINEERING ORGANIZATION SHOULD BE CONTACTED FOR THE LATEST REVISION		DWN TY PANG 27DEC2007	Tyco Electronics Corporation Singapore	
DIMENSIONS: mm		CHK SK LEAW 02APR2008	NAME	
TOLERANCES UNLESS OTHERWISE SPECIFIED:		APVD SF LEONG 02APR2008	CONNECTOR ASSEMBLY, 7+6P SLIMLINE SATA CABLE RECEPTACLE LATCH TYPE	
0 PLC ±-		PRODUCT SPEC -	SIZE A3	CAGE CODE 00779
1 PLC ±0.2		APPLICATION SPEC -	DRAWING NO C-1735616	
2 PLC ±0.20		WEIGHT -	SCALE 3:1	SHEET 1 OF 1
3 PLC ±-		CUSTOMER DRAWING	REV D	
4 PLC ±-				
ANGLES ±2°				
MATERIAL 1	FINISH 2			