

LDG P-Clamps from Amphenol Pcd

Other Products



LDG P-Clamp

For high performance MILTECH transmission lines.



Luminus Series

- Environmentally sealed
- Secure, "snap-locking" mechanism
- Multiple sizes and configurations
- Rugged and lightweight
- Easy to use and maintain
- Uses standard MIL-C-39029 and Stamped & Formed contacts

The **LDG P-Clamps** are the result of more than 30 years of continuous Amphenol development of **ovemold technology** -- an engineering / manufacturing process that is a major strength of the company. Through the perfection of this technology, engineering is able to use a softer rubber for the clamp cushioning, thereby **reducing wear and tear on mission critical cable harnesses** -- all without compromising the **strength and performance** of the clamp itself.

Specifically designed for high performance aerospace cables, such as the **MT/MTL product lines**, the LDG P-Clamps are easy to use, simple to maintain, and are available in **17 different sizes**.



High Performance P-Clamps



High Performance Standoffs

Contact us for more information



For complete technical information, visit www.victrex.com

Key Benefits



Smart Engineering

- High Performance
- Specifically designed for **MILTECH transmission lines**
 - Compatible with cables between **0.06"-1.65" in diameter**
 - Helps to ensure **no interruption** of data or signal transfer
 - Dedicated to **pressurized and unpressurized** areas
 - **Smaller envelope** than existing metal P-Clamps

- Mechanical Design
- Lock open & closed feature increases **ease of installation & maintenance**
 - Available in **17 different sizes**
 - Easily **recognizable labels** makes inspection easy
 - Uses **standard 10-32 screws**

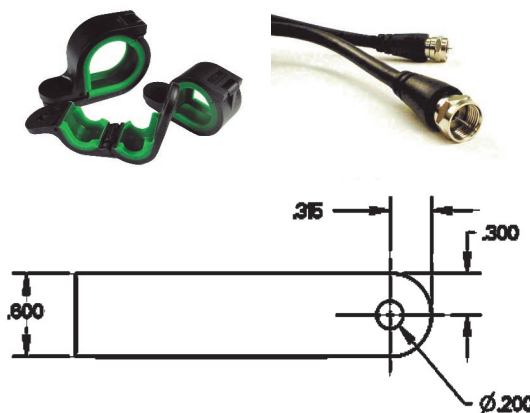
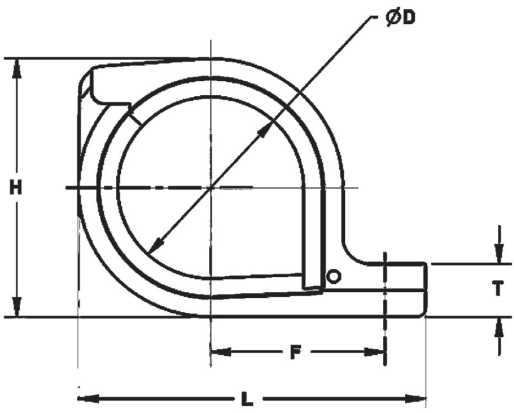
Overmold Technology

- **Over 30 years experience** in overmold technology
- Cushion **will not come off or slide off**
- Each clamp able to meet **wide range of diameter sizes**

Victrex PEEK™ Polymer

- **High temperature** resistance; **Chemical** resistance
- Completely **Non-Corrosive & Non-Conductive**
- Improved **Strength & Stability**
- Withstands constant **vibrations and shock loads**
- **Lighter** than Traditional P-Clamps by up to 40%

LDG P-Clamps from Amphenol Pcd



Part No.	Size No.	Nominal: Inner cushion dia. (ØD)		MIN cable size		MAX cable size		F		Length (L)		H		T		Weight	
		in	cm	in	cm	in	cm	in	cm	in	cm	in	cm	in	cm	ounces	grams
PCL400100	100	0.030	0.076	0.060	0.152	0.190	0.483	0.59	1.51	1.18	2.99	0.64	1.62	0.18	0.46	0.15	4.30
PCL400101	101	0.125	0.318	0.155	0.394	0.248	0.630	0.59	1.51	1.18	2.99	0.64	1.62	0.18	0.46	0.14	4.08
PCL400102	102	0.219	0.556	0.249	0.632	0.342	0.869	0.64	1.63	1.27	3.22	0.71	1.80	0.18	0.46	0.16	4.54
PCL400103	103	0.313	0.795	0.343	0.871	0.436	1.107	0.71	1.81	1.41	3.59	0.81	2.06	0.24	0.61	0.22	6.35
PCL400104	104	0.407	1.034	0.437	1.110	0.530	1.346	0.76	1.93	1.51	3.83	0.88	2.25	0.24	0.61	0.24	6.80
PCL400105	105	0.501	1.273	0.531	1.349	0.623	1.582	0.81	2.05	1.60	4.07	0.96	2.44	0.24	0.61	0.27	7.71
PCL400106	106	0.594	1.509	0.624	1.585	0.718	1.824	0.85	2.17	1.70	4.32	1.05	2.68	0.24	0.61	0.29	8.16
PCL400107	107	0.689	1.750	0.719	1.826	0.811	2.060	0.93	2.35	1.84	4.67	1.20	3.05	0.30	0.76	0.38	10.89
PCL400108	108	0.782	1.986	0.812	2.062	0.905	2.299	0.97	2.47	1.93	4.91	1.32	3.35	0.30	0.76	0.43	12.25
PCL400109	109	0.876	2.225	0.906	2.301	0.998	2.535	1.02	2.59	2.03	5.15	1.39	3.53	0.30	0.76	0.45	12.70
PCL400110	110	0.969	2.461	0.999	2.537	1.092	2.774	1.07	2.71	2.12	5.38	1.48	3.76	0.30	0.76	0.48	13.61
PCL400111	111	1.063	2.700	1.093	2.776	1.186	3.012	1.14	2.89	2.26	5.75	1.62	4.12	0.36	0.91	0.59	16.78
PCL400112	112	1.157	2.939	1.187	3.015	1.280	3.251	1.18	3.01	2.36	5.99	1.76	4.47	0.36	0.91	0.64	18.14
PCL400113	113	1.251	3.178	1.281	3.254	1.373	3.487	1.23	3.13	2.45	6.23	1.82	4.63	0.36	0.91	0.67	19.05
PCL400114	114	1.344	3.414	1.374	3.490	1.467	3.726	1.29	3.28	2.58	6.55	1.93	4.91	0.40	1.00	0.75	21.32
PCL400115	115	1.438	3.653	1.468	3.729	1.561	3.965	1.35	3.43	2.69	6.83	2.05	5.20	0.42	1.07	0.85	24.04
PCL400116	116	1.532	3.891	1.562	3.967	1.655	4.204	1.39	3.53	2.78	7.06	2.14	5.43	0.42	1.07	0.92	26.04

Amphenol Times



- Qualified MILTECH family of products (MIL-C-17, MIL-T-8190, MIL-C-87104, etc)
- Hermetically sealed RF and microwave transmission lines
- Qualified for commercial, military, and other demanding applications
- Superior phase coaxial cables
- Lightweight, long-lasting, and extremely durable
- Multiple choices per customer requirement
- For more information: www.timesmicrowave.com

Other Products

MATERIALS

Clamp Base (Plastic) Polyetheretherketone (PEEK), per MIL-P-46183; Black

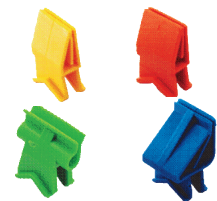
Cushion Silicone rubber, 20 durometer Shore A; Light Green

PERFORMANCE

Temp. Limits Continuous: - 65°F to 350°F
Excursions: up to 500°F

Flammability Clamp Base: UL94, V0; FAR25.853
Cushion: meets UL 94, HB

Other Products from Amphenol



QuickClips



Lightning Bushings

Amphenol Pcd

72 Cherry Hill Drive
Beverly, MA 01915 USA
email: info@amphenolpcd.com
phone: 978-624-3400

Amphenol Pcd

CONNECTING PEOPLE + TECHNOLOGY