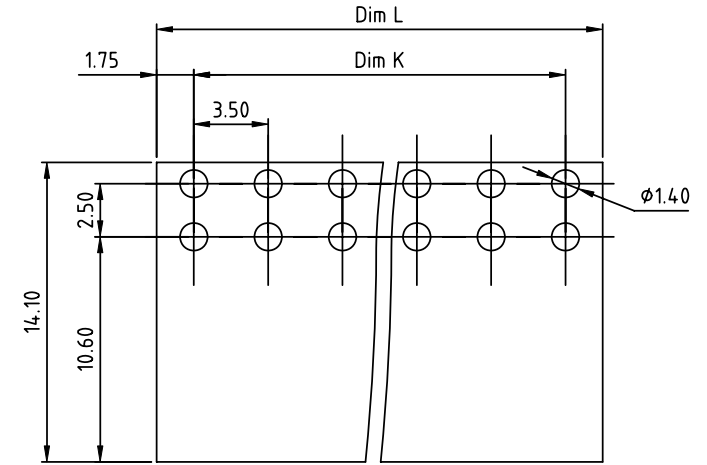
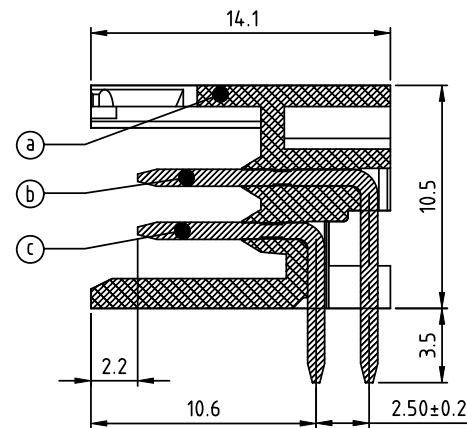
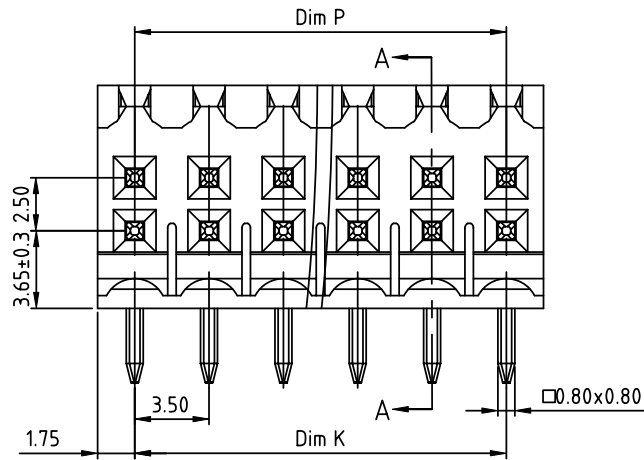
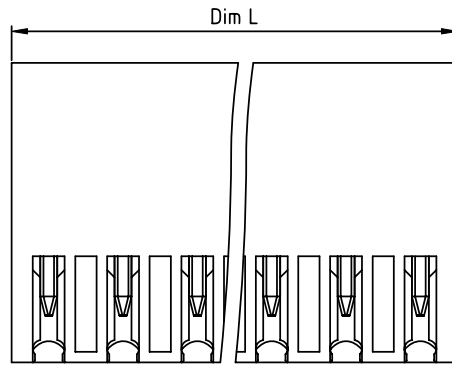


PRODUCT NUMBER	PITCH
VXxx10x100J0G	3.50 mm



RECOMMENDED P.C.B LAYOUT  
TOP VIEW

- Material:
- Item ① Terminal housing: Thermoplastic(UL94V-0)
  - Item ② Long pin: Brass, Tin plated
  - Item ③ Short pin: Brass, Tin plated
- Electrical:
- Voltage rating: 150V
  - Current rating: 7 A
  - Withstanding Voltage: 1.3KV
  - Operating temperature: -40°C to +115°C
  - Soldering temperature: 260°C±5°C/5 Sec
  - Safety Approval:

Dim L=N/2×3.5
Dim P=(N/2-1)×3.5
Dim K=(N/2-1)×3.5

N=Number of poles

Poles	Dim L	Dim P	Dim K
2x2p-2x6p	±0.15	±0.10	±0.10
2x7p-2x12p	±0.25	±0.20	±0.20
2x13p-2x18p	±0.35	±0.30	±0.30
2x19p-2x24p	±0.40	±0.35	±0.35

PART NO.: VX xx 10 x 1 00J0 G

↓	Color	↓
Solid block	0 Black (RAL9005)	RoHS compliant (lead<4%)
No. of poles	2 Red (RAL3001/D)	In copper Alloy
04 2x2 poles	3 Orange(RAL2011/P)	
06 2x3 poles	4 Yellow(RAL1018/A)	
...	5 Green(RAL6018/T)	
48 2x24 poles	6 Blue (RAL5015/A)	
	8 Grey(RAL7035/D)	
	9 White(RAL1102)	
	C Green(RAL6018/U)	

mat'l. code	surface ASME Y14.5	tolerance ASME Y14.5	projection	product family
ltr	ecn	no	dr	date
tolerances unless otherwise specified			MM	TERMINAL BLOCK
angles	flat	X.±0.5	scale	title
X°±1°	X.XX±0.1	X.XX±0.3		TERMINAL BLOCK
dr	ENGR	EVIN ZHONG	050714	PLUGGABLE SOCKET,RIGHT ANGLE,OPEN TYPE
chr	SHI JUN	HANKE FENG	050714	dwg no
appd				VXxx10x100J0G
sheet index	revision sheet	A	1	sheet 1 of 1 size A4
				type CUSTOMER Drawing