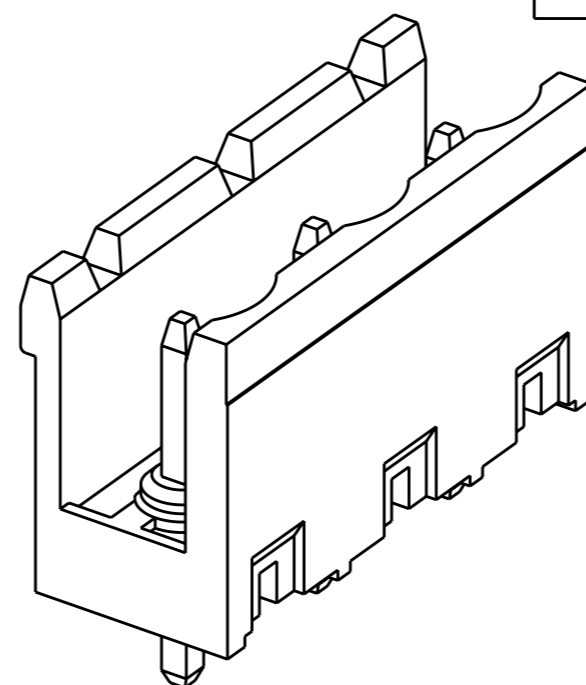
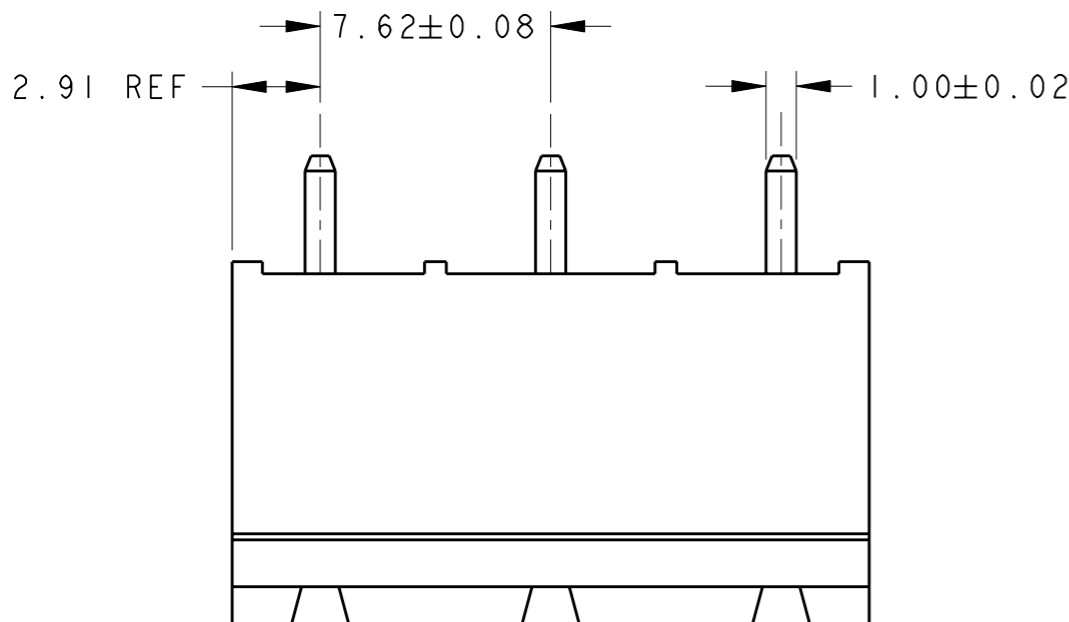


LOC FT DIST 0

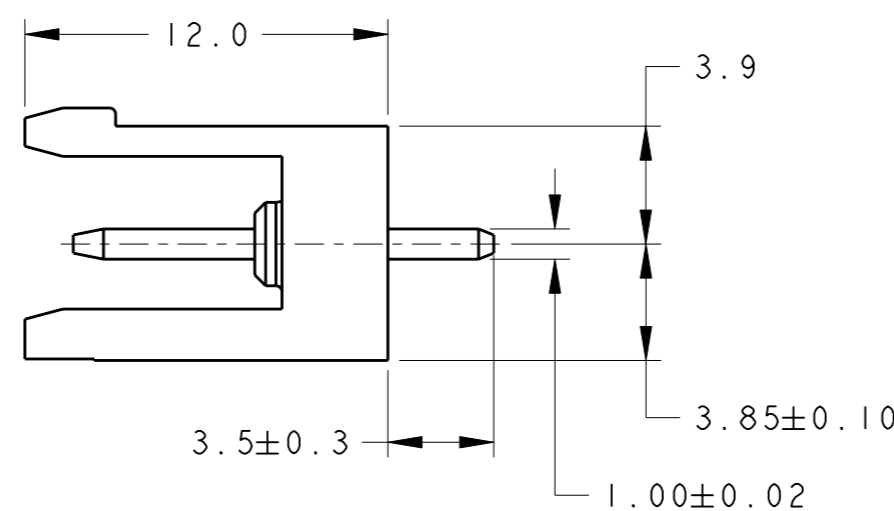
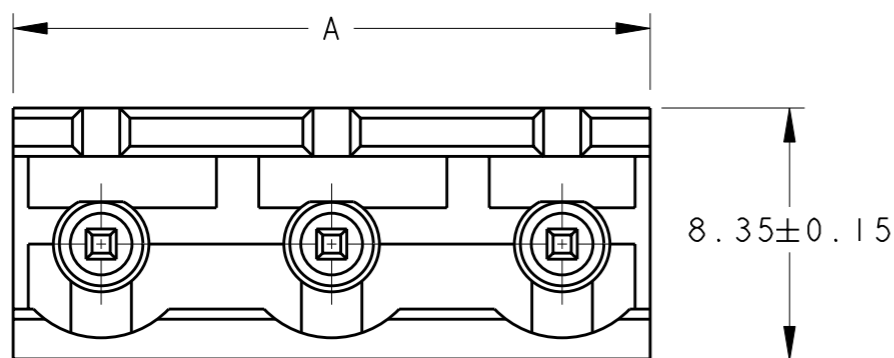
REVISIONS

P	LTR	DESCRIPTION	DATE	DWN	APVD
	C1	REVISED PER ECO-12-007964	02MAY2012	KH	MS



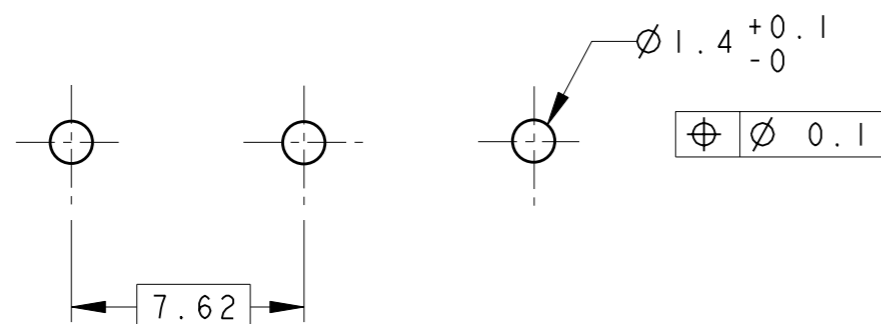
282967-3 AS SHOWN

- 1 MATERIALS AND FINISH  
HOUSING: PA 6-6, UL 94-V0, COLOR GREEN.  
TERMINAL: COPPER ALLOY, TIN PLATED.
- 2 SUITABLE FOR 1,6-2,4mm PC BOARD THICKNESS.
- 3 RECOGNIZED UNDER THE COMPONENT PROGRAM OF UNDERWRITERS LABORATORIES INC., FILE N° E60677.
- 4 IMQ CERTIFICATE WITH SURVEILLANCE IN CONFORMITY WITH IEC 998-1/998-2-1.
- 5 NOT CUMULATIVE TOLERANCE.



89.64	12	1-282967-2
82.02	11	1-282967-1
74.40	10	1-282967-0
66.78	9	282967-9
59.16	8	282967-8
51.54	7	282967-7
43.92	6	282967-6
36.30	5	282967-5
28.68	4	282967-4
21.06	3	282967-3
13.44	2	282967-2
DIM. A	N° OF POS.	PART NUMBER

RECOMMENDED PC BOARD LAYOUT



THIS DRAWING IS A CONTROLLED DOCUMENT.

DIMENSIONS: mm



TOLERANCES UNLESS OTHERWISE SPECIFIED:

0 PLC	±.
1 PLC	±.3
2 PLC	±.25
3 PLC	±.
4 PLC	±.
ANGLES	±2

MATERIAL

FINISH

DWN E. ZANOLINI 14DEC2001  
 CHK D. BIEVENOUR 14DEC2001  
 APVD D. BIEVENOUR 14DEC2001  
 PRODUCT SPEC 108-20166  
 APPLICATION SPEC 114-20079  
 WEIGHT -



NAME: TERMINAL BLOCK HEADER ASSEMBLY  
 180 DEGREE OPEN ENDS  
 7.62mm PITCH

SIZE	CAGE CODE	DRAWING NO	RESTRICTED TO
A3	00779	C-282967	-

CUSTOMER DRAWING SCALE 4:1 SHEET 1 OF 1 REV C1