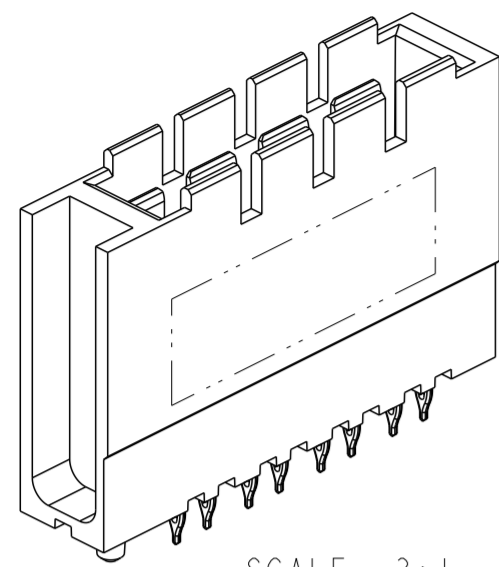


10091830 - X X X X X L F

LEAD-FREE DESIGNATION ADDED ONLY WHEN APPLICABLE



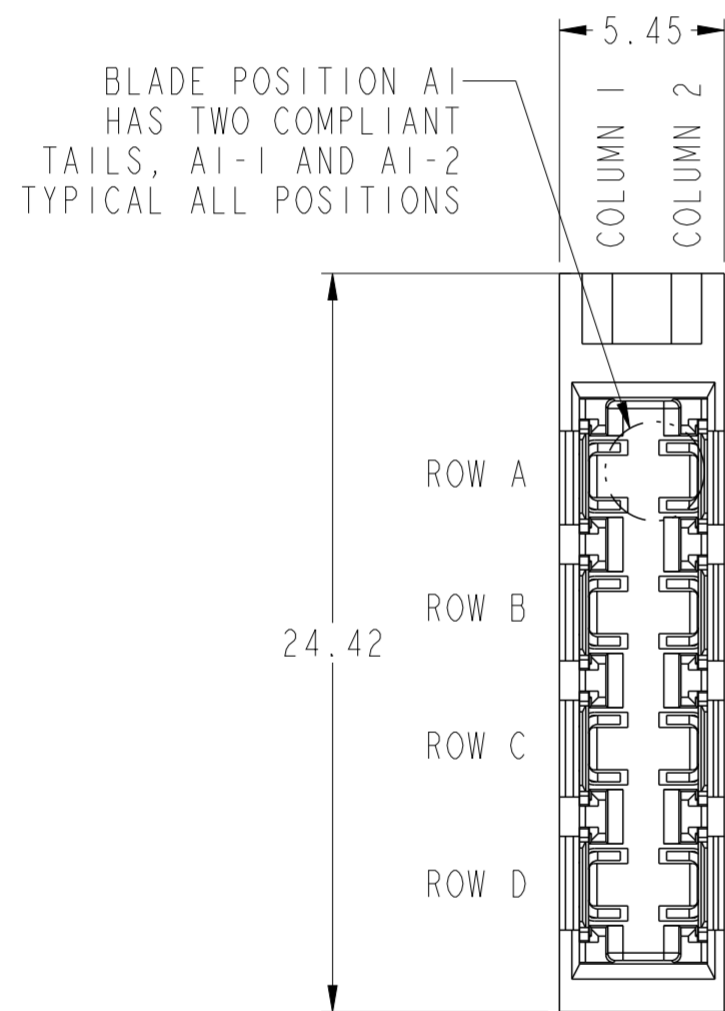
SCALE 3:1

PLATING CODE	
I	SEPARABLE INTERFACE: PERFORMANCE-BASED PLATING, TELCORDIA CO (SEE NOTE 2) PRESS-FIT TAILS: TIN OR TIN-LEAD BASED ON LEAD-FREE "LF" SUFFIX
5	SEPARABLE INTERFACE: PERFORMANCE-BASED PLATING, TELCORDIA UE (SEE NOTE 2) PRESS-FIT TAIL: TIN OR TIN-LEAD ON BASED ON LEAD-FREE "LF" SUFFIX
D	SEPARABLE INTERFACE: CUSTOMER SPECIFIC PLATING PRESS-FIT TAIL: TIN OR TIN-LEAD ON BASED ON LEAD-FREE "LF" SUFFIX
E	SEPARABLE INTERFACE: CUSTOMER SPECIFIC PLATING PRESS-FIT TAIL: TIN OR TIN-LEAD ON BASED ON LEAD-FREE "LF" SUFFIX

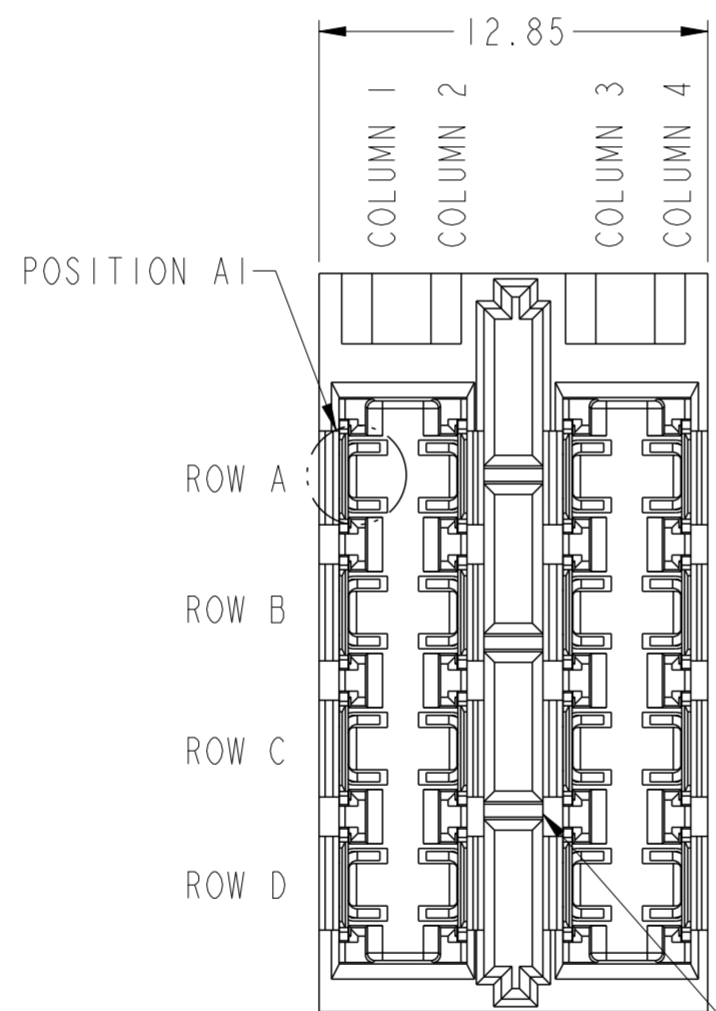
SEQUENTIALLY ASSIGNED FOR CUSTOM LOADING CONFIGURATIONS (SEE TABLE, SHEET 5)
"00" FOR STANDARD LOADING (UNIFORM CONTACT LENGTH, ALL POSITIONS)

CONTACT WIPE LENGTH	
0	CUSTOM LOADED CONTACTS
1	4.5mm ALL CONTACTS
2	6.0mm ALL CONTACTS
3	7.5mm ALL CONTACTS

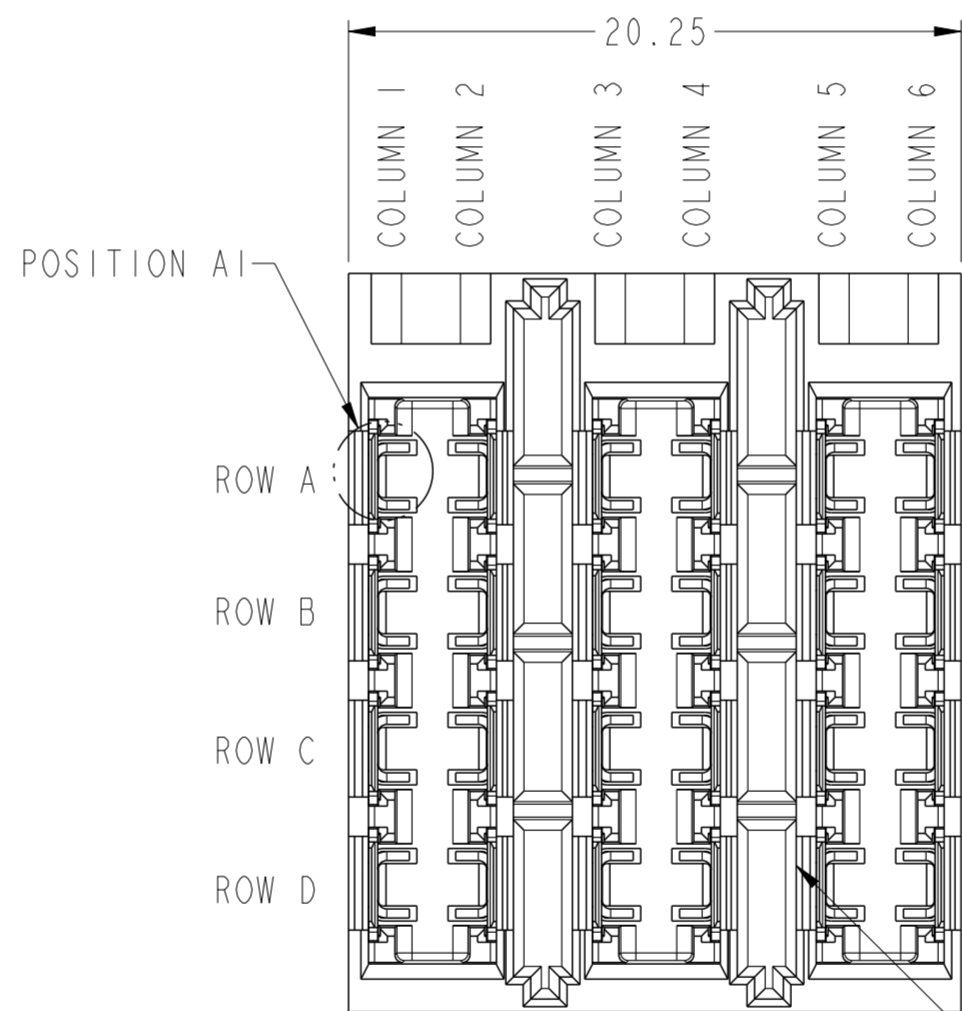
NUMBER OF POWER SLOTS	
1	ONE POWER SLOT ("1-UP" MODULE)
2	TWO POWER SLOTS ("2-UP" MODULE)
3	THREE POWER SLOTS ("3-UP" MODULE)



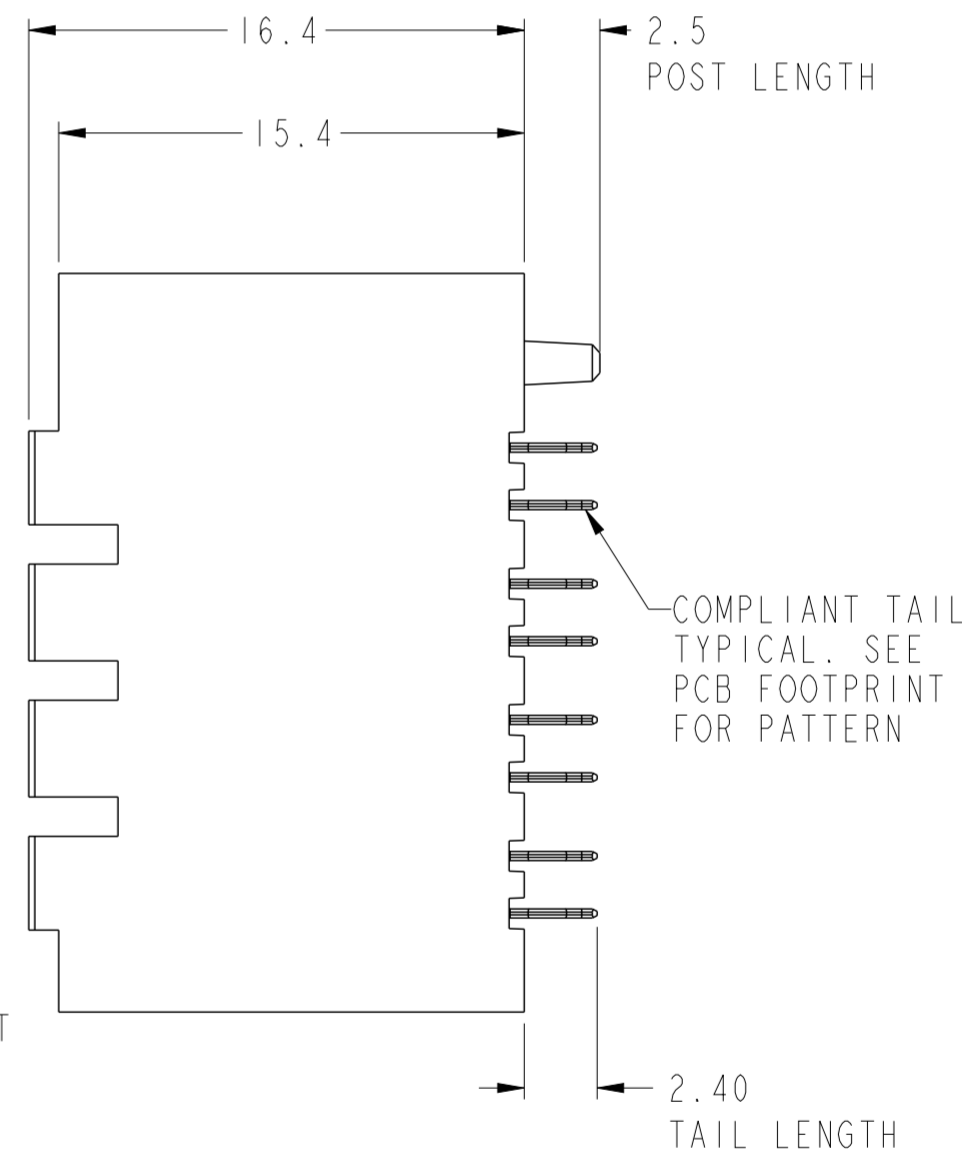
1-SLOT POWER MODULE
MATING-FACE VIEW
SCALE 4:1



2-SLOT POWER MODULE
MATING-FACE VIEW
SCALE 4:1

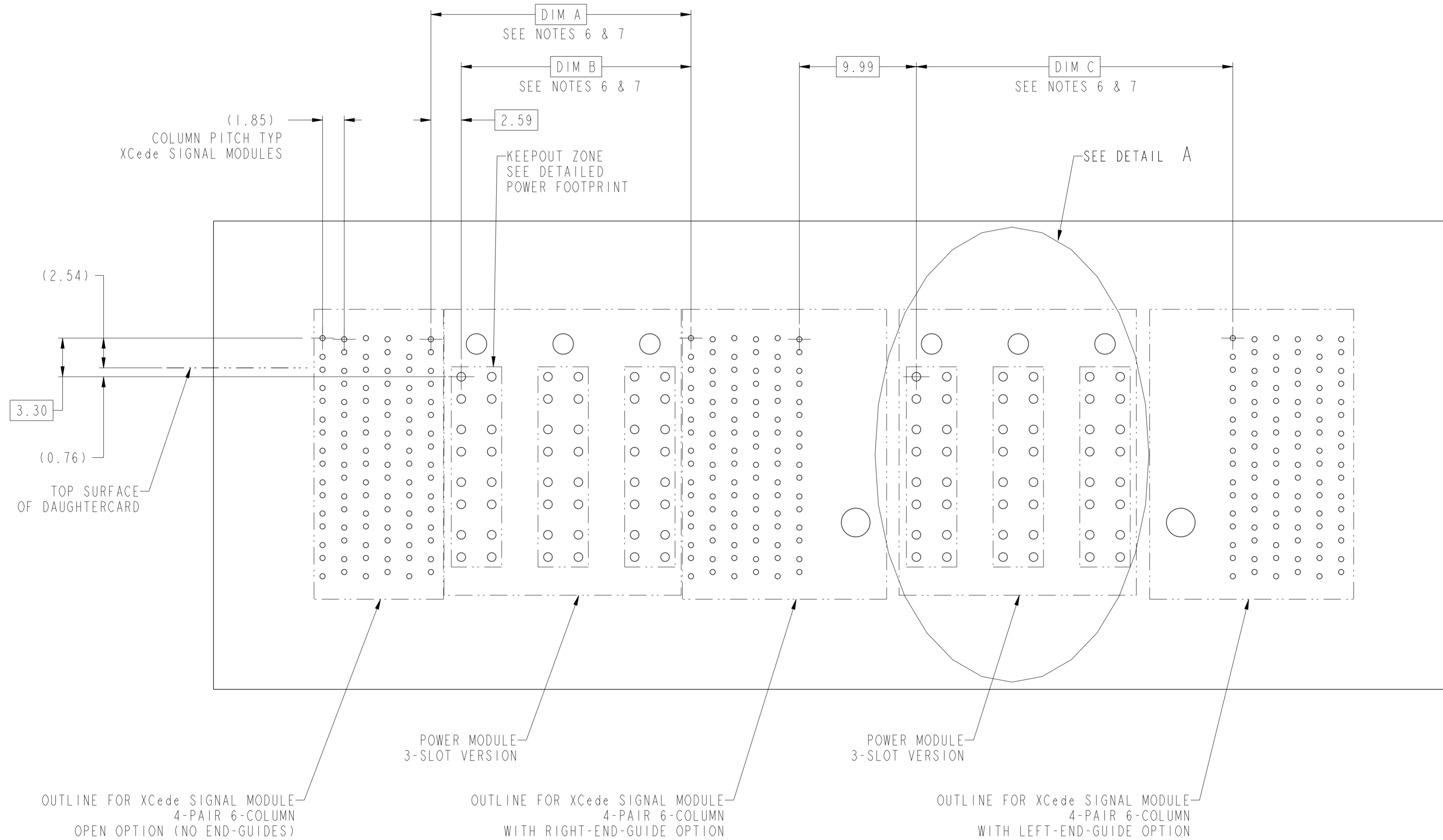


3-SLOT POWER MODULE
MATING-FACE VIEW
SCALE 4:1



spec ref	SEE NOTES	dr	Jim Swain	2009/07/23	projection	mm	size	A2	scale	4:1											
tolerance std	TOLERANCES UNLESS OTHERWISE SPECIFIED	eng	Lin-Soe Ngwe	2012/11/19			ecn no	-	rel level	Released											
ASME Y14.5		chr	-	app							Chen-Hong Tan	2012/11/19	product family								
surface	<table border="1"> <tr> <td>linear</td> <td>0.X</td> <td>±0.25</td> </tr> <tr> <td></td> <td>0.XX</td> <td>±0.13</td> </tr> <tr> <td></td> <td>0.XXX</td> <td>±</td> </tr> <tr> <td>angular</td> <td>0°</td> <td>±°</td> </tr> </table>	linear	0.X	±0.25		0.XX	±0.13		0.XXX	±	angular	0°	±°			title MODULE ASSEMBLY, POWER XCede 4-PAIR BP VERTICAL, STANDARD PROFILE		dwg no 10091830	rev A	Product - Customer Drw sheet 1 of 5	
linear	0.X	±0.25																			
	0.XX	±0.13																			
	0.XXX	±																			
angular	0°	±°																			
ASME Y14.5		www.fci.com	cat. no.		PDS: Rev :A		STATUS:Released		Printed: Nov 20, 2012												

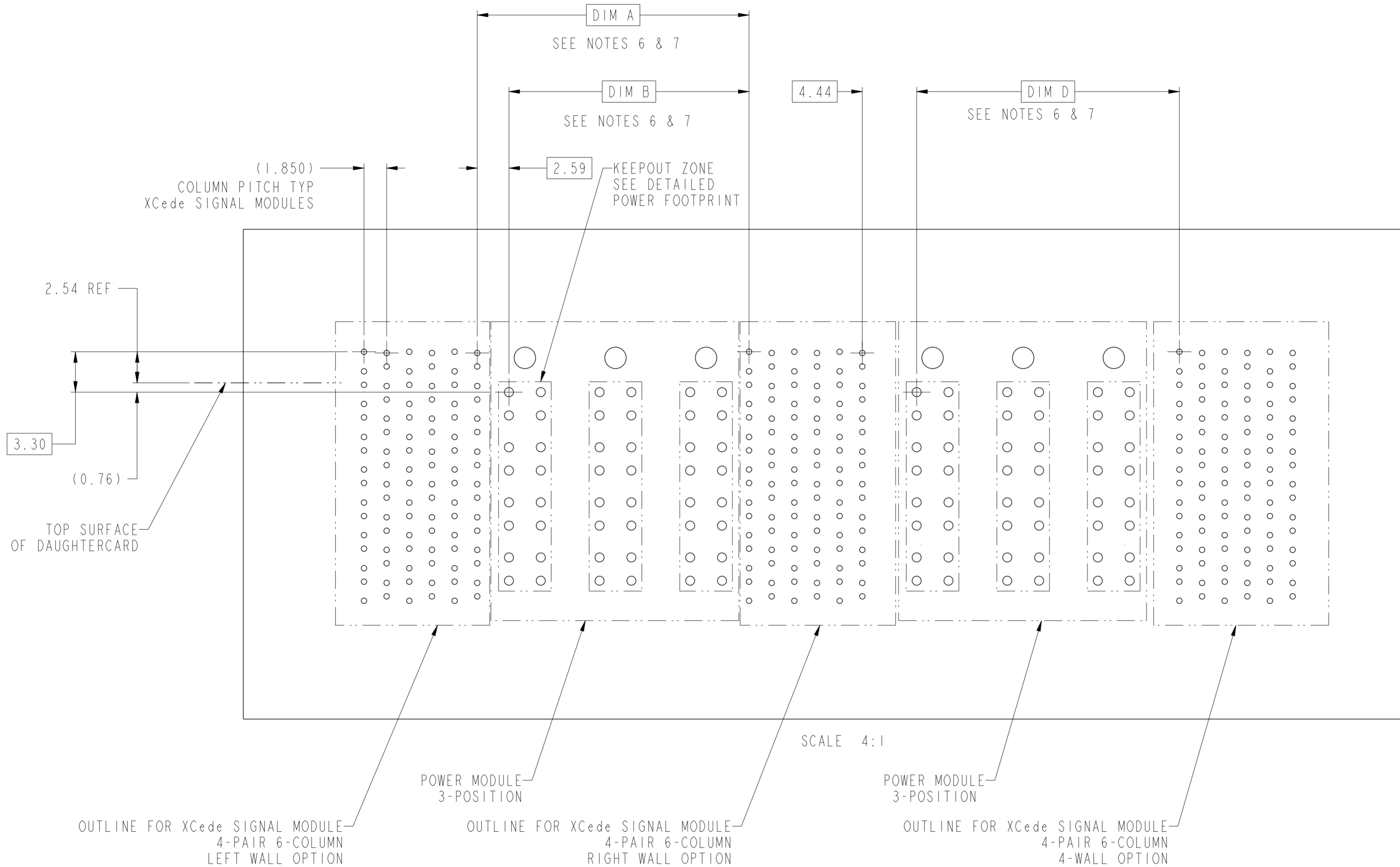
TABLE 1. VARIABLE FOOTPRINT DIMENSIONS				
	DIM A	DIM B	DIM C	DIM D
1-SLOT POWER MODULE	7.40	4.81	12.21	6.66
2-SLOT POWER MODULE	14.80	12.21	19.61	14.06
3-SLOT POWER MODULE	22.20	19.61	27.01	21.46



POWER MODULE FOOTPRINT LOCATION RELATIVE TO XCede SIGNAL MODULES

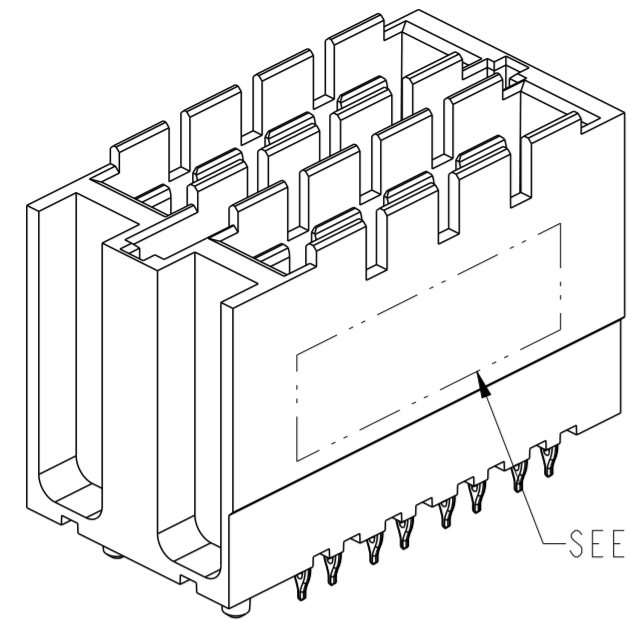
spec ref	SEE NOTES	dr	Jim Swain	2009/07/23	projection	mm	size	A2	scale	4:1												
tolerance std	TOLERANCES UNLESS OTHERWISE SPECIFIED	eng	Lin-Soe Ngwe	2012/11/19			ecn no	-	rel level	Released												
ASME Y14.5		chr	-	2012/11/19			product family	XCede														
surface	<table border="1"> <tr> <td>linear</td> <td>0.X</td> <td>±0.25</td> </tr> <tr> <td></td> <td>0.XX</td> <td>±0.13</td> </tr> <tr> <td></td> <td>0.XXX</td> <td>±-</td> </tr> <tr> <td>angular</td> <td>0°</td> <td>±°</td> </tr> </table>	linear	0.X	±0.25		0.XX	±0.13		0.XXX	±-	angular	0°	±°	appr	Chen-Hong Tan	2012/11/19	title	MODULE ASSEMBLY, POWER	div no	10091830	rev	A
linear	0.X	±0.25																				
	0.XX	±0.13																				
	0.XXX	±-																				
angular	0°	±°																				
ASME Y14.5		www.fci.com	cat. no.	SEE P/N TABLE	Product - Customer Drw	sheet 2 of 5																

SEE TABLE I.

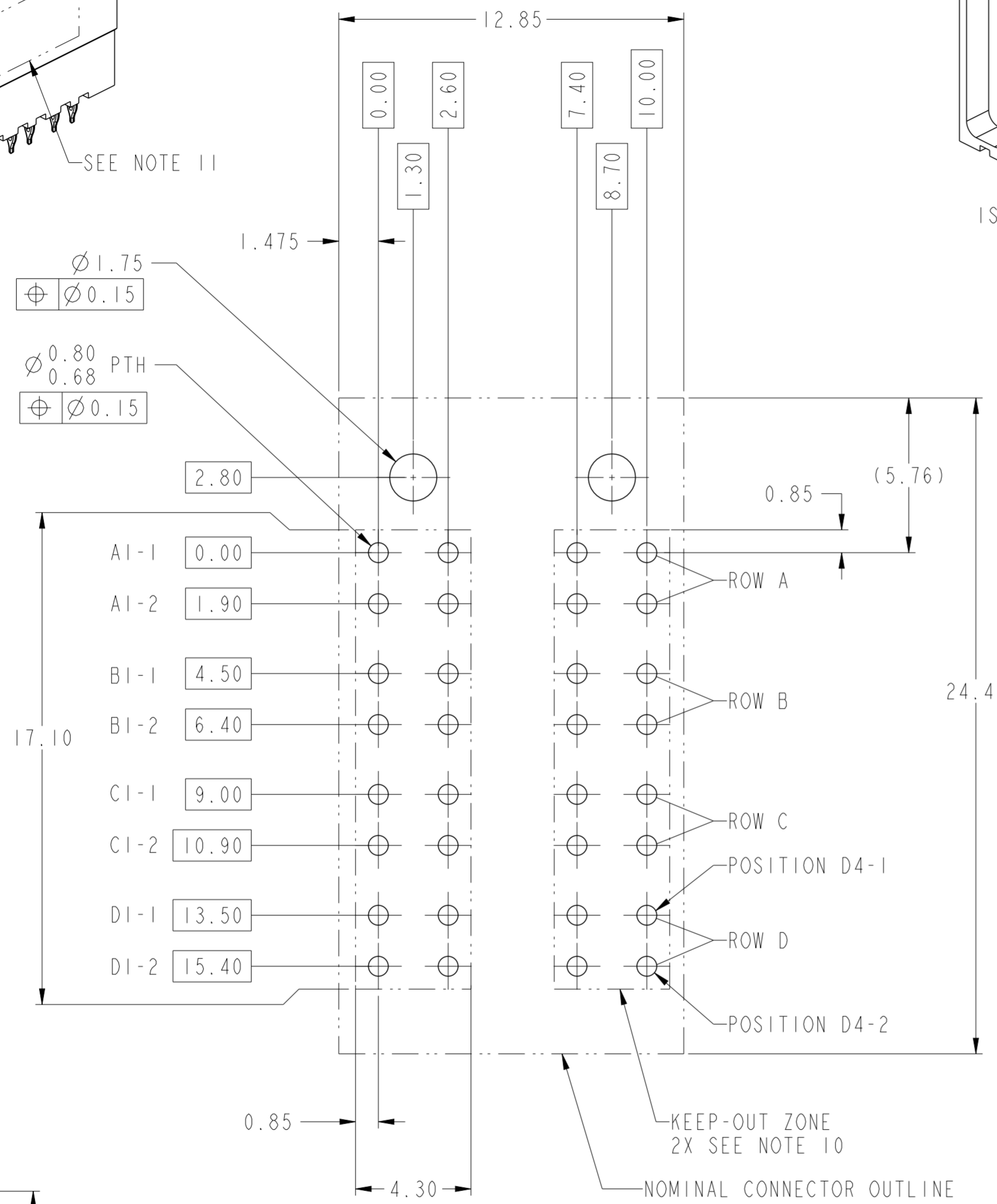


POWER MODULE FOOTPRINT LOCATION RELATIVE TO XCede SIGNAL MODULES

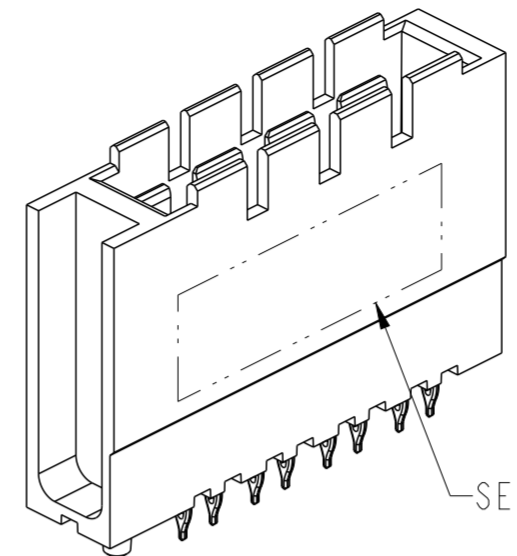
spec ref	SEE NOTES	dr	Jim Swain	2009/07/23	projection	mm	size	A2	scale	1:1
tolerance std	TOLERANCES UNLESS OTHERWISE SPECIFIED	eng	Lin-Soe Ngwe	2012/11/19			ecn no	-	rel level Released	
ASME Y14.5		chr	-	cat. no.			-	Product - Customer Drw		sheet 3 of 5
surface	linear 0.X ±0.25 0.XX ±0.13 0.XXX ±-	appr	Chen-Hong Tan	2012/11/19	product family	-	divg no	10091830	rev	A
ASME Y14.5	angular 0° ±-			TITLE MODULE ASSEMBLY, POWER XCede 4-PAIR BP VERTICAL, STANDARD PROFILE		www.fci.com		STATUS:Released		Printed: Nov 20, 2012



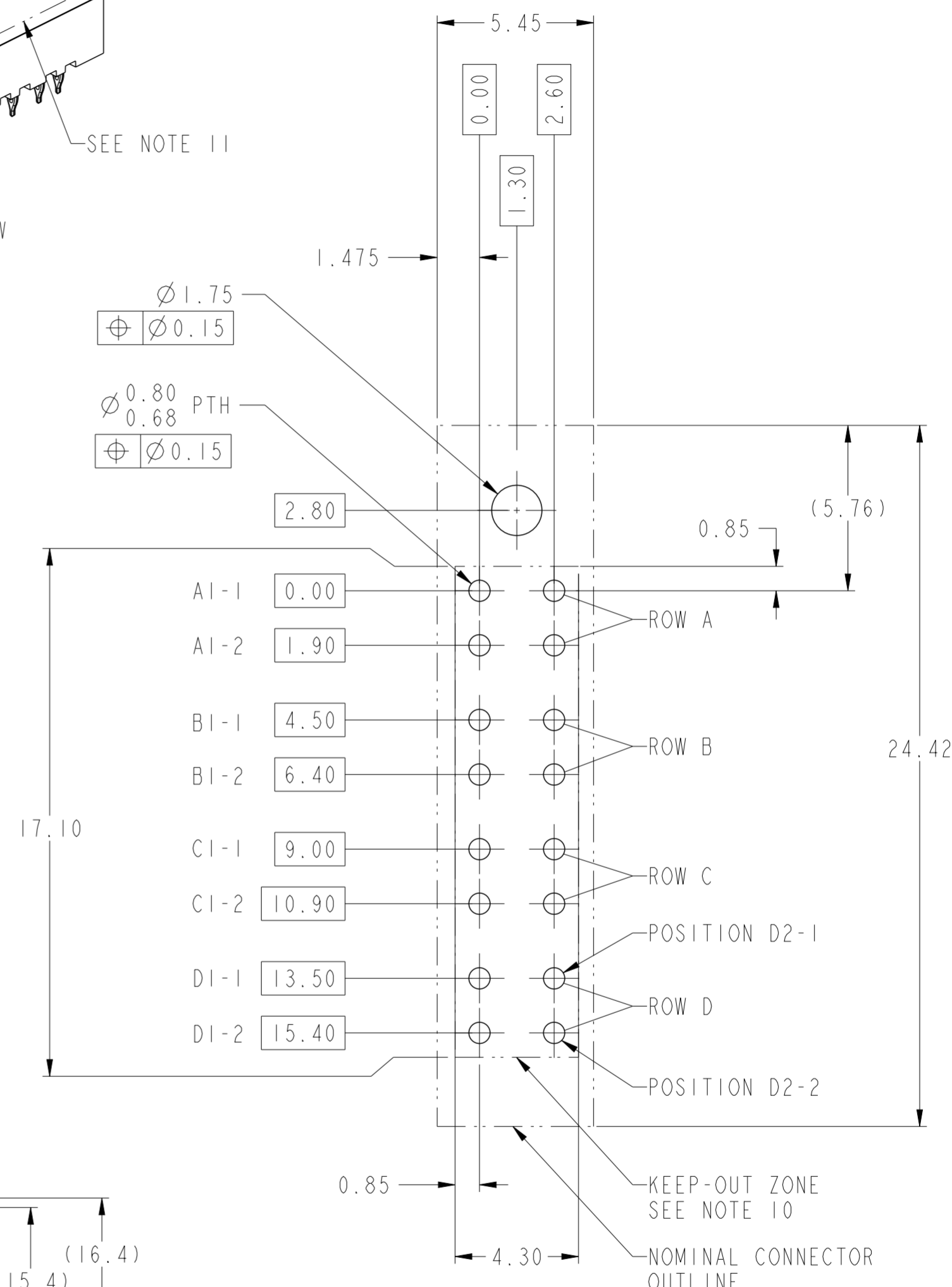
ISOMETRIC VIEW
2 POSITION
SCALE 3:1



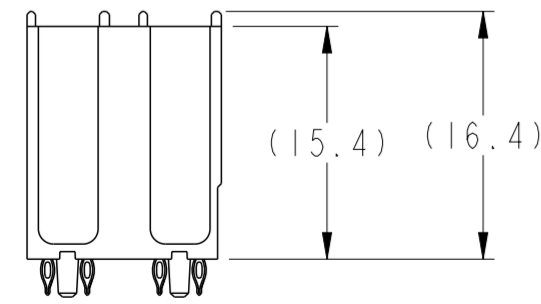
2-SLOT POWER MODULE FOOTPRINT
SCALE 6:1



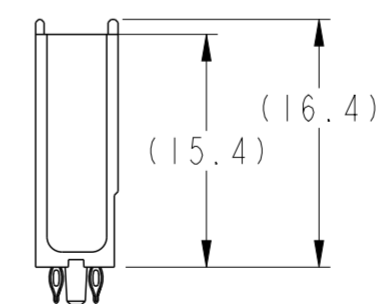
ISOMETRIC VIEW
1 POSITION



1-SLOT POWER MODULE FOOTPRINT
SCALE 6:1



2-SLOT POWER MODULE
BACK VIEW

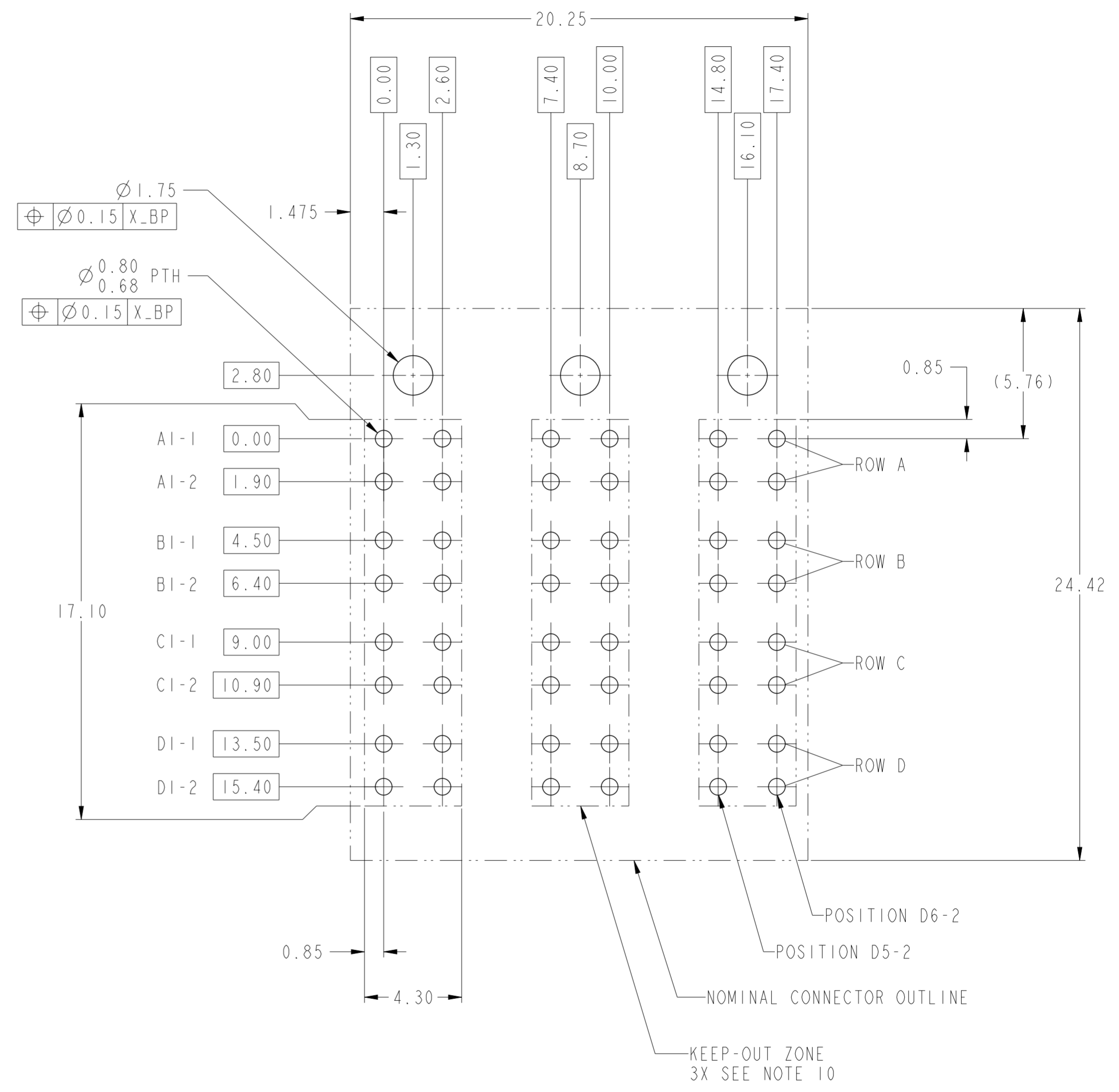


1-SLOT POWER MODULE
BACK VIEW

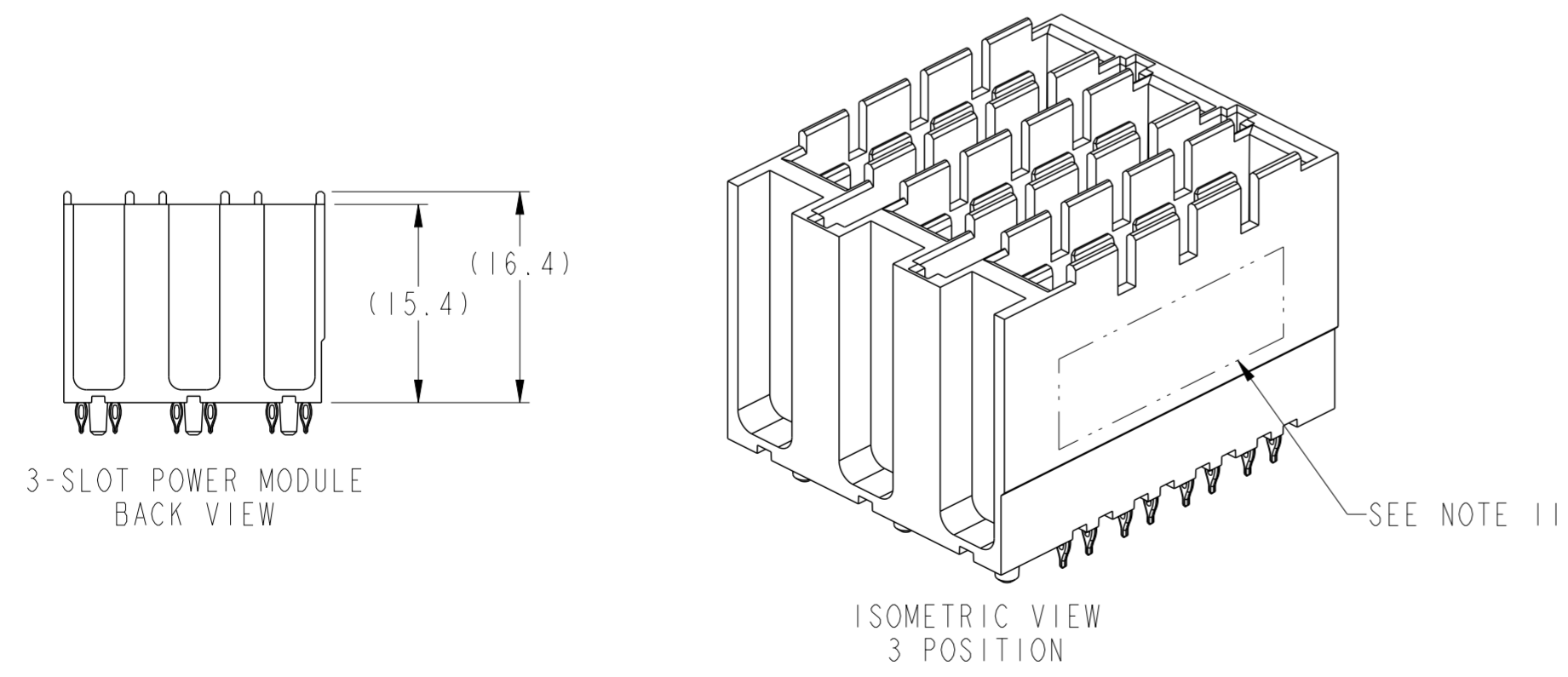
spec ref	SEE NOTES	dr	Jim Swain	2009/07/23	projection	mm	size	A2	scale	4:1									
tolerance std	TOLERANCES UNLESS OTHERWISE SPECIFIED	eng	Lin-Soe Ngwe	2012/11/19		mm	ecn no	-	rel level	Released									
ASME Y14.5		chr	-	app							Chen-Hong Tan	2012/11/19	product family	XCede					
surface	<table border="1"> <tr> <td>linear</td> <td>0.X</td> <td>±0.25</td> </tr> <tr> <td></td> <td>0.XX</td> <td>±0.13</td> </tr> <tr> <td></td> <td>0.XXX</td> <td>±-</td> </tr> <tr> <td>angular</td> <td>0°</td> <td>±°</td> </tr> </table>	linear	0.X	±0.25		0.XX	±0.13		0.XXX	±-	angular	0°	±°			MODULE ASSEMBLY, POWER XCede 4-PAIR BP VERTICAL, STANDARD PROFILE		title no 10091830	rev A
linear	0.X	±0.25																	
	0.XX	±0.13																	
	0.XXX	±-																	
angular	0°	±°																	
ASME Y14.5		www.fci.com		cat. no.	SEE P/N TABLE	Product - Customer Drw	sheet 4 of 5												

NOTES:

1. CONNECTOR MATERIALS:
HOUSING: HIGH-TEMP THERMOPLASTIC, BLACK, UL94V-0
CONTACTS: HIGH PERFORMANCE COPPER ALLOY
2. CONTACT PLATING:
SEPARABLE INTERFACE:
PERFORMANCE -BASED PLATING, QUALIFIED TO MEET THE REQUIREMENTS OF FCI PRODUCT SPECIFICATION GS-12-0989, INCLUDING TELCORDIA GR-1217-CORE (NOVEMBER 1995) CENTRAL OFFICE TEST SEQUENCE.
PRESS FIT TAILS: TIN OR TIN-LEAD ON TAILS, NICKEL UNDERPLATE
3. EACH POWER CONTACT BLADE HAS TWO COMPLIANT PINS
4. THE MODULES SHOWN ON THIS DRAWING MATE WITH FCI DAUGHTERCARD POWER MODULE P/N 10091828-XXX
5. "2-SLOT" AND "3-SLOT" MODULES WILL ACCEPT DC ENDCAPS BETWEEN DC POWER MODULES WITH NO ADDITIONAL SPACE REQUIREMENTS.
6. WHEN USING ENDCAPS BETWEEN SIGNAL WAFERS AND DC POWER MODULES, ADD 1.85mm BETWEEN MODULES FOR EACH ENDCAP
7. FOR EACH ADDITIONAL POWER MODULE, ADD 5.55mm FOR "1-SLOT" MODULES, 12.95mm FOR "2-SLOT" MODULES, AND 20.35mm FOR "3-SLOT" MODULES.
8. PRODUCT SPECIFICATION: GS-12-0989
9. APPLICATION SPECIFICATION: GS-20-0342
10. NO SURFACE TRACES IN KEEP-OUT ZONE
11. PART MARKING, (PART NUMBER, LOT CODE), ON THIS SURFACE.
12. LEAD-FREE PRODUCT MEETS THE EUROPEAN UNION DIRECTIVES AND OTHER COUNTRY REGULATIONS AS DESCRIBED IN FCI SPECIFICATION GS-22-008.
13. PACKAGING MEETS FCI SPECIFICATION GS-14-920 FOR LEAD FREE LABELLING.
14. A Δ SYMBOL WILL BE NEXT TO ANY DIMENSION, VIEW OR NOTE WHICH HAS BEEN MODIFIED WITH THE CURRENT DRAWING REVISION.



DETAIL A
3-SLOT POWER MODULE FOOTPRINT
SCALE 6:1



spec ref	SEE NOTES	dr	Jim Swain	2009/07/23	projection	mm	size	A2	scale	4:1									
tolerance std	TOLERANCES UNLESS OTHERWISE SPECIFIED	eng	Lin-Soe Ngwe	2012/11/19		mm	ecn no	-	rel level	Released									
ASME Y14.5		chr	-	app							Chen-Hong Tan	2012/11/19	product family	XCede					
surface	<table border="1"> <tr> <td>linear</td> <td>0.X</td> <td>±0.25</td> </tr> <tr> <td></td> <td>0.XX</td> <td>±0.13</td> </tr> <tr> <td></td> <td>0.XXX</td> <td>±-</td> </tr> <tr> <td>angular</td> <td>0°</td> <td>±°</td> </tr> </table>	linear	0.X	±0.25		0.XX	±0.13		0.XXX	±-	angular	0°	±°			title MODULE ASSEMBLY, POWER XCede 4-PAIR BP VERTICAL, STANDARD PROFILE		dng no 10091830	rev A
linear	0.X	±0.25																	
	0.XX	±0.13																	
	0.XXX	±-																	
angular	0°	±°																	
ASME Y14.5		www.fci.com		cat. no.	SEE P/N TABLE	Product - Customer Drw	sheet 5 of 5												

Copyright FCI.