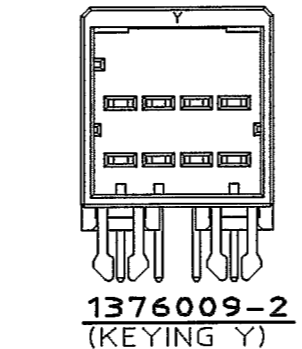
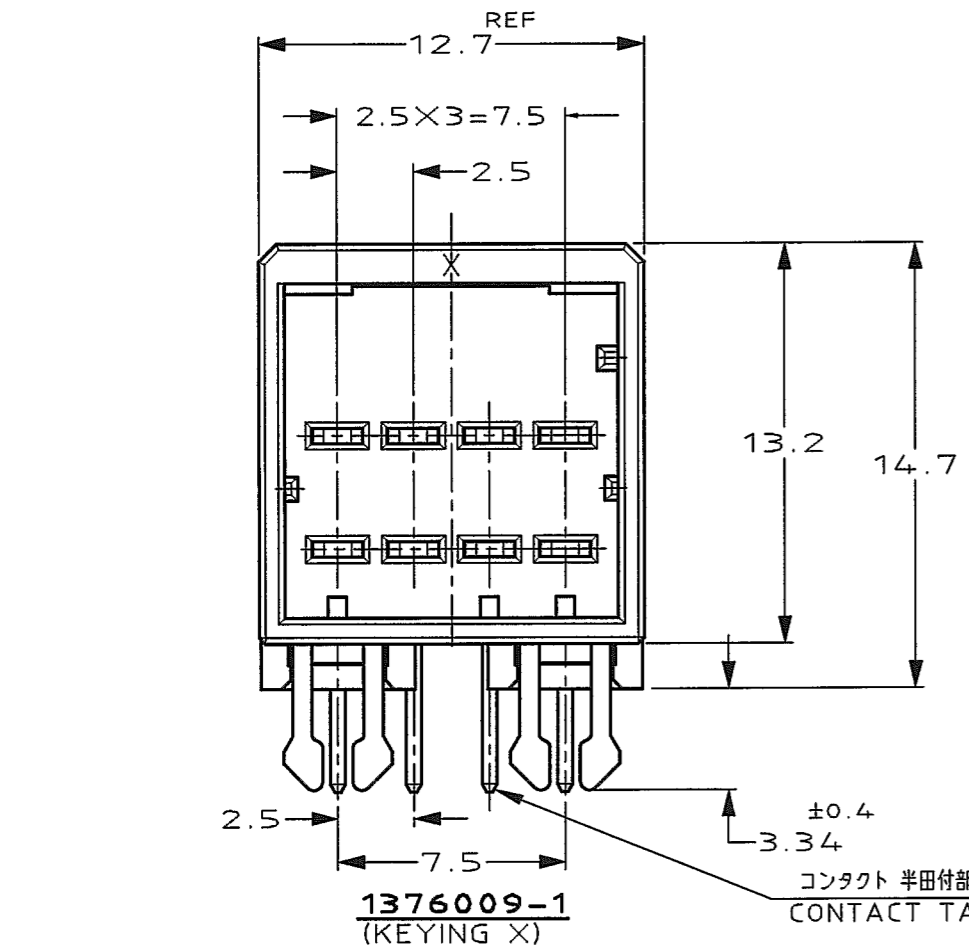
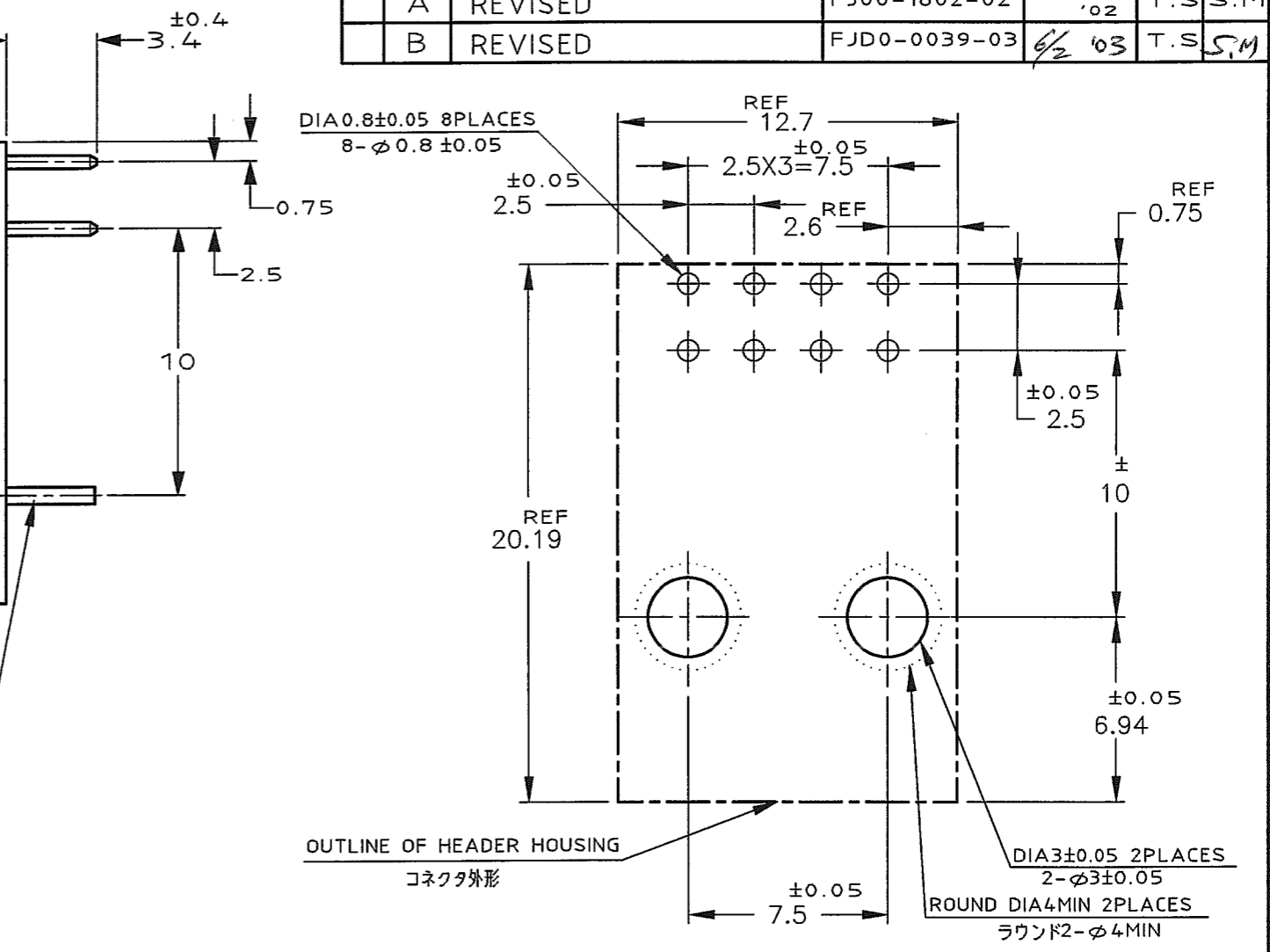
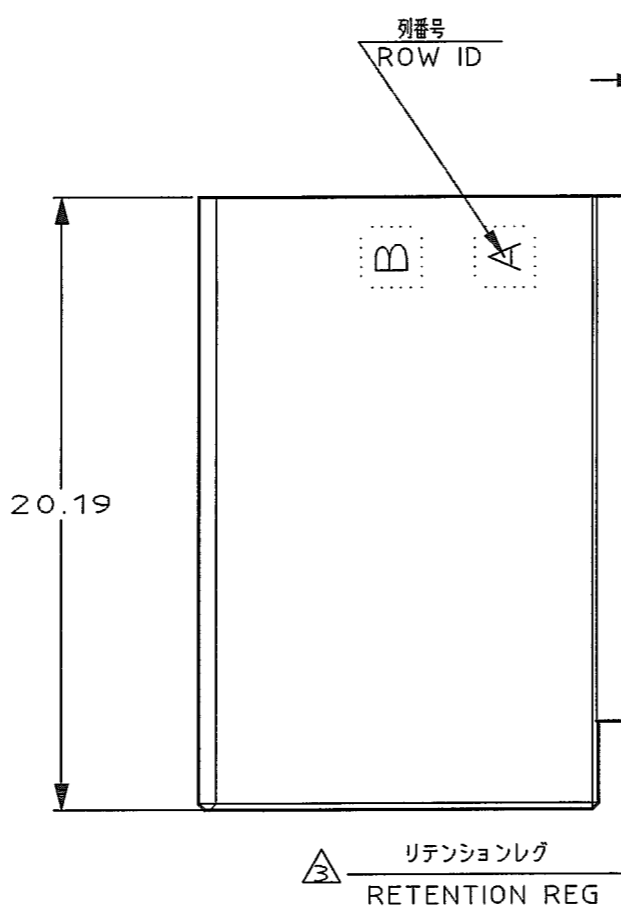
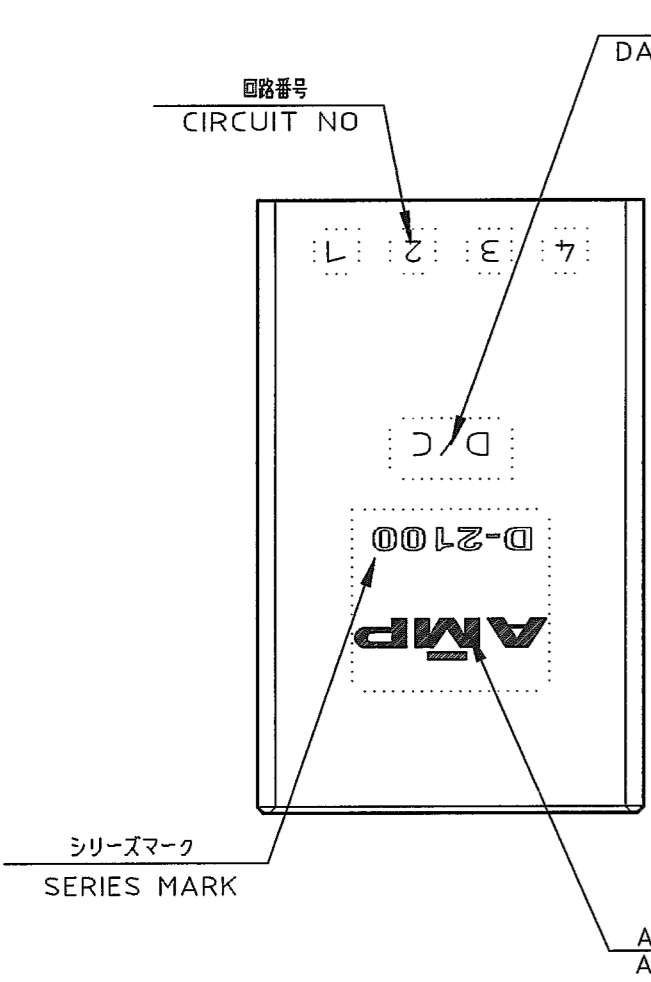


THIS DRAWING IS UNPUBLISHED. RELEASED FOR PUBLICATION, 1998  
 © COPYRIGHT 1998 BY AMP INCORPORATED, ALL RIGHTS RESERVED.

LOC		DIST		REVISIONS				
J				変更				
P	LTR	DESCRIPTION		ECN	DATE	DWN	APVD	
	O	RELEASED		FJ00-1755-99	28.FEB.00	K.I.H		
	A	REVISED		FJ00-1802-02	5.SEP.02	T.S	S.M	
	B	REVISED		FJD0-0039-03	6/2 '03	T.S	S.M	



推奨基板取付け寸法 (公差: ±0.05)  
 PC 基板厚: 1.6±0.3  
 (コネクタ搭載面)

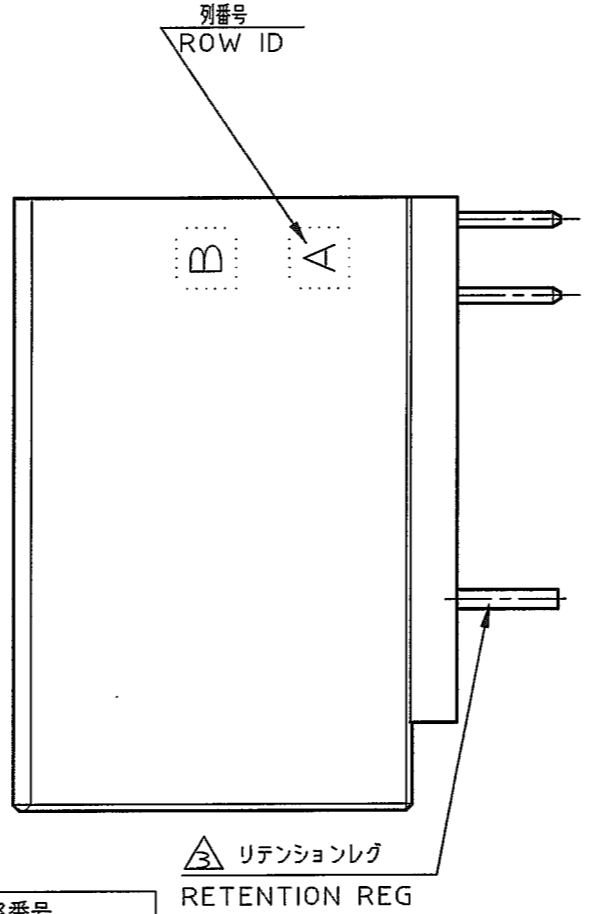
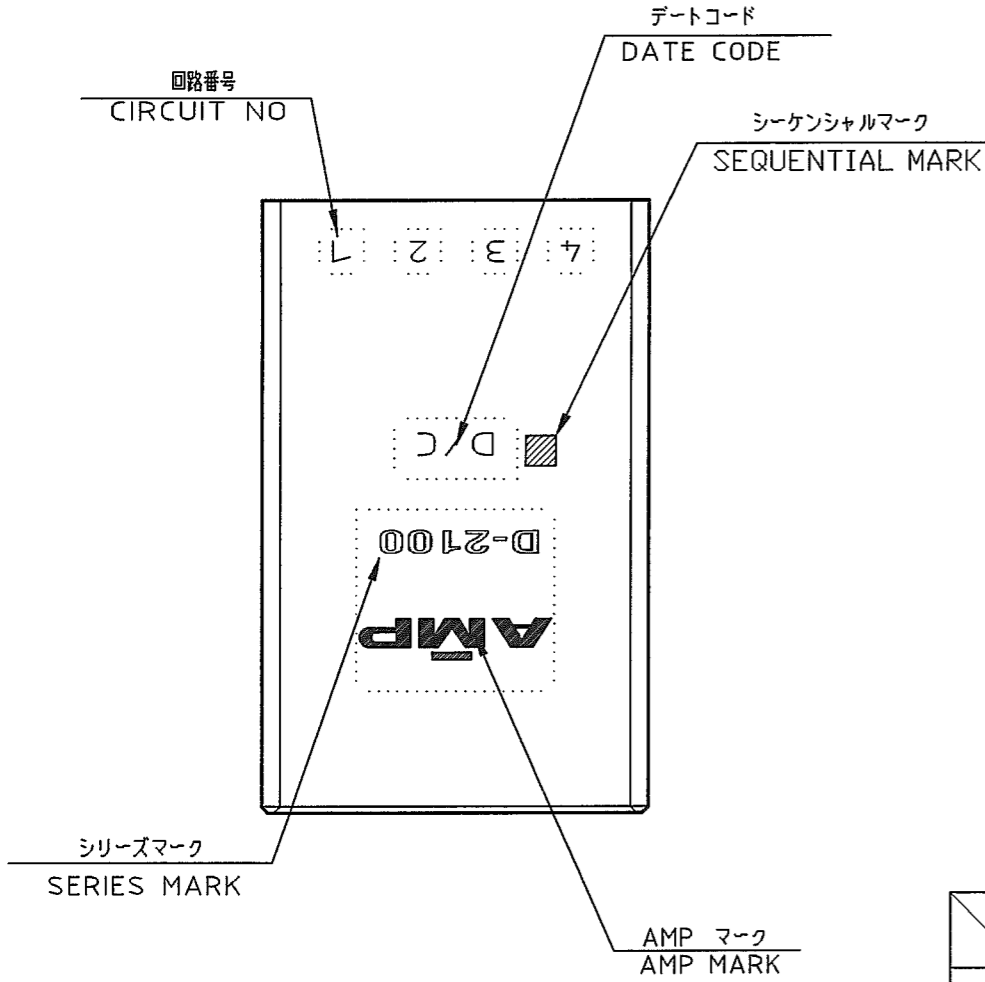
RECOMENDED PC BOARD HOLE PATTERN (TOL: ±0.05)  
 PC BOARD THICKNESS: 1.6±0.3  
 (CONNECTOR MOUNT SIDE)

- NOTES
- MATERIAL: HOUSING: GLASS FILLED THERMO PLASTIC, POLYESTER (94V-0), COLOR: BLACK  
 TAB CONTACT: COPPER ALLOY  
 RETENTION LEG: BRASS
  - FINISH (CONTACT AREA): 0.38μm MIN GOLD PLATING OVER Ni PLATING
  - FINISH (RETENTION LEG): TIN PLATED (CONTACT TAIL) OVER NICKEL

- 注記
- 材料: ハウジング: ガラス入り熱可塑性ポリエステル樹脂 (94V-0), 色: 黒  
 タブ コンタクト: 銅合金  
 リテンション レグ: 黄銅
  - めっき: コンタクト: 全面Ni下地  
 接触部: 0.38μm MIN金めっき
  - めっき: リテンションレグとコンタクト半田付部  
 : ニッケル下地の上にスズめっき

THIS DRAWING IS A CONTROLLED DOCUMENT FOR AMP INCORPORATED. IT IS SUBJECT TO CHANGE AND THE CONTROLLING ENGINEERING ORGANIZATION SHOULD BE CONTACTED FOR THE LATEST REVISION.		CHK K.IKEDA 24/FEB/'00	DWN 24/FEB/'00			Tyco Electronics AMP K.K. Kawasaki, Japan	
DIMENSIONS: 単位 寸 mm		CHK Y.KATO 28/FEB/'00	APVD I.HASEGAWA 28/FEB/'00			NAME 2列 ヘッダーアセンブリー 8P	
TOLERANCES UNLESS OTHERWISE SPECIFIED		PRODUCT SPEC 108-5619		DOUBLE ROW HEADER ASS'Y 8P ("H"TYPE) <DYNAMIC D-2100D>			
MATERIAL 注記参照 SEE NOTES		APPLICATION SPEC 114-5258		SIZE A3		CAGE CODE 00779	DRAWING NO C-1376009
FINISH 注記参照 SEE NOTES		WEIGHT		RESTRICTED TO		-	
CUSTOMER DRAWING		SCALE 4-1		SHEET 1		OF 2	
						REV B	

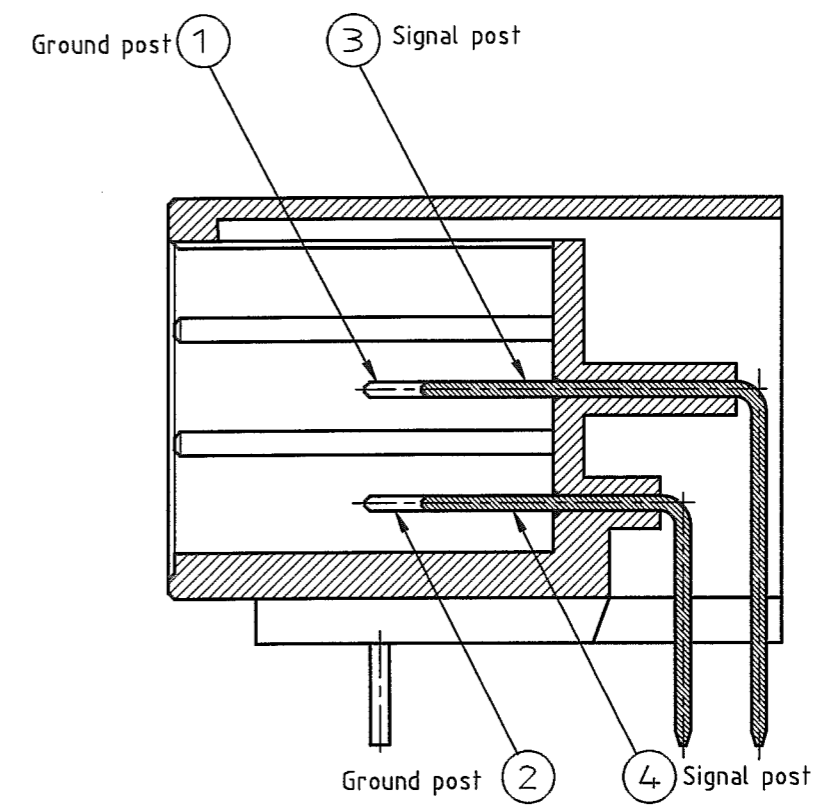
LOC		DIST		REVISIONS						
J				P	LTR	DESCRIPTION	ECN	DATE	DWN	APVD
						SEE 1 OF 2				



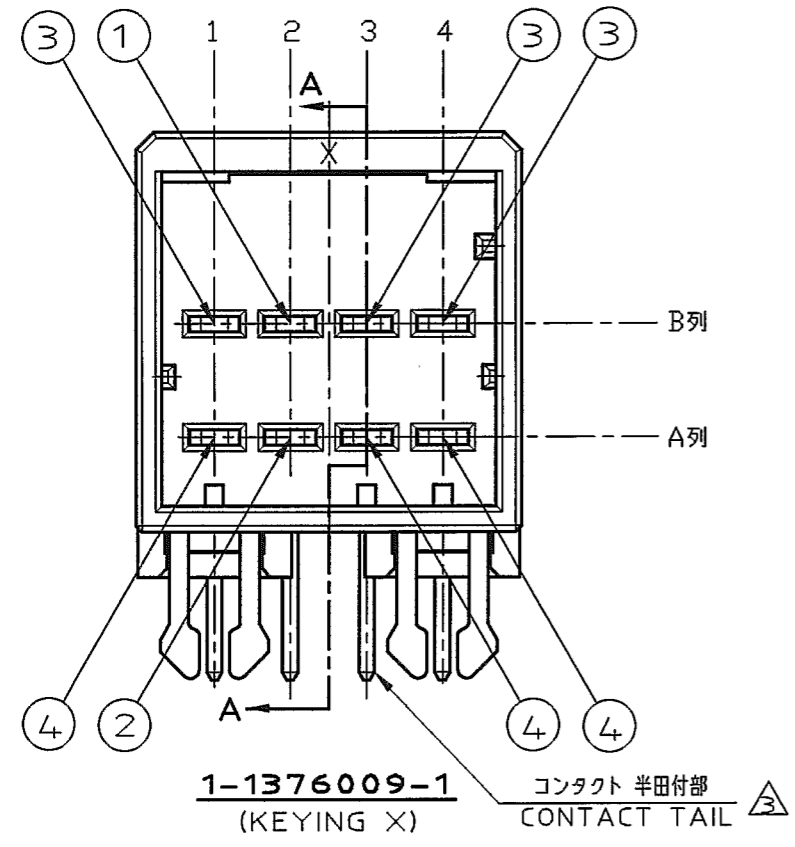
		回路番号			
		1	2	3	4
列番号	B	③ Signal	① Ground	③ Signal	③ Signal
	A	④ Signal	② Ground	④ Signal	④ Signal

POINT OF SEQUENTIAL  
**1-1376009-1**  
 (KEYING X)

1-1376009-1; AS SHOWN SEQUENTIAL TYPE



**SECT A-A**



NOTES

- MATERIAL: HOUSING: GLASS FILLED THERMO PLASTIC POLYESTER(94V-0), COLOR: BLACK  
 TAB CONTACT: COPPER ALLOY  
 RETENTION LEG: BRASS
- FINISH (CONTACT AREA): 0.38μm MIN GOLD PLATING OVER NI PLATING
- FINISH (RETENTION LEG): TIN PLATED (CONTACT TAIL) OVER NICKEL

注記

- 材料: ハウジング: ガラス入り熱可塑性ポリエステル樹脂 (94V-0), 色: 黒  
 タブ コンタクト: 銅合金  
 リテンション レグ: 黄銅
- めっき: コンタクト: 全面Ni下地  
 接触部: 0.38μm MIN金めっき
- めっき: リテンションレグとコンタクト半田付部  
 : ニッケル下地の上にスズめっき

THIS DRAWING IS A CONTROLLED DOCUMENT FOR AMP INCORPORATED. IT IS SUBJECT TO CHANGE AND THE CONTROLLING ENGINEERING ORGANIZATION SHOULD BE CONTACTED FOR THE LATEST REVISION.		DWN K.IKEDA 24/FEB/'00		Tyco Electronics AMP K.K. Kawasaki, Japan	
DIMENSIONS: 単位 特 mm		CHK Y.KATO 28/FEB/'00		NAME 2列 ヘッダーアセンブリー 8P	
TOLERANCES UNLESS OTHERWISE SPECIFIED		APVD I.HASEGAWA 28/FEB/'00	<水平タイプ> DOUBLE ROW HEADER ASS'Y 8P ("H"TYPE) <DYNAMIC D-2100D>		
		PRODUCT SPEC 108-5619	SIZE A3	CAGE CODE 00779	DRAWING NO C=1376009
MATERIAL 材料 注記参照 SEE NOTES		APPLICATION SPEC 114-5258	RESTRICTED TO		
FINISH 仕上 注記参照 SEE NOTES		WEIGHT	SCALE 4-1		
		CUSTOMER DRAWING	SHEET 2 OF 2 REV B		