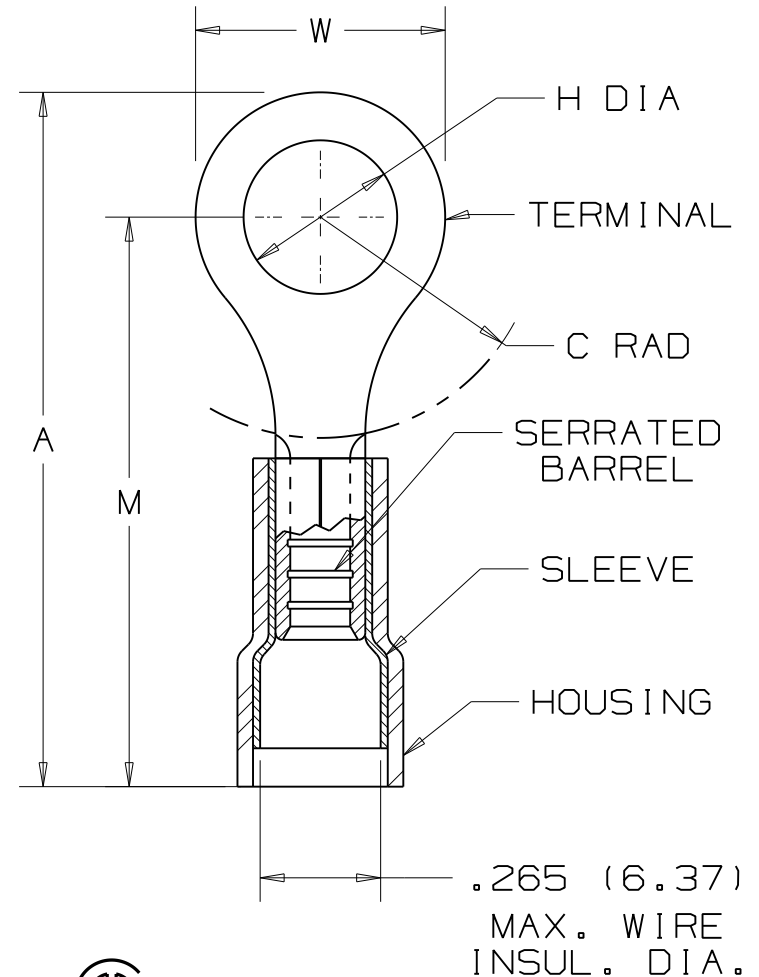


PANDUIT PART NUMBER	STUD SIZE	DIMENSIONS in.				
		A ±.03	W ±.01	C ±.02	M ±.03	H ±.01
PN10-6RX	#6	1.13 (28.70)	.37 (9.40)	.33 (8.38)	.94 (23.88)	.15 (3.81)
PN10-8RX	#8	1.13 (28.70)	.37 (9.40)	.33 (8.38)	.94 (23.88)	.17 (4.32)
PN10-10RX	#10	1.13 (28.70)	.37 (9.40)	.33 (8.38)	.94 (23.88)	.20 (5.08)
PN10-14RX	1/4"	1.27 (32.26)	.52 (13.21)	.42 (10.69)	1.01 (25.65)	.27 (6.86)
PN10-56RX	5/16"	1.27 (32.26)	.52 (13.21)	.42 (10.69)	1.01 (25.65)	.34 (8.64)
PN10-38RX	3/8"	1.35 (34.29)	.58 (14.73)	.46 (11.68)	1.06 (26.92)	.40 (10.16)

NOTES:

- UL LISTED AND CSA CERTIFIED FOR:
 - 600V. MAX. BLDG WIRE (1000 V. MAX IN SIGNS, FIXTURES & LUMINAIRES),
 - #14-10 AWG SOLID OR STRANDED COPPER WIRE WITH THE CT-550 INSTALLATION TOOL.
 - #12-10 AWG SOLID OR STRANDED COPPER WIRE WITH THE CT-100 INSTALLATION TOOL.
 - #12 AWG SOLID OR STRANDED, AND #10 AWG STRANDED COPPER WIRE WITH THE CT-1550 AND CT-1551 INSTALLATION TOOLS.
 - 221°F (105°C) MAX TEMP. RATING
- MATERIAL:
 - STAMPING - .04" (1.02) THK COPPER, TIN PLATED
 - HOUSING - NYLON, YELLOW
 - SLEEVE - BRASS, TIN PLATED
- STRIP LENGTH - 9/32 +1/32 -0
- SEE www.panduit.com FOR PART NUMBER SUFFIX DESIGNATION FOR PACKAGE SIZE.
- DIMENSIONS IN BRACKETS ARE IN MILLIMETERS



LISTED
587H
E52164



CERTIFIED
LR31212

							PANDUIT CORP.		TINLEY PARK, ILLINOIS		
							#12-10 BARREL NYLON INSULATED RING TONGUE, .265 (6.37) MAX. WIRE INSULATION DIAMETER				
07	5/11	SB		UPDATED NOTE #4							
REV	DATE	BY	CHK	DESCRIPTION	ECN #	CUST	PM	DRAWN BY DAW	CHK'D CJH	SCALE NONE	DRAWING NO. A41273