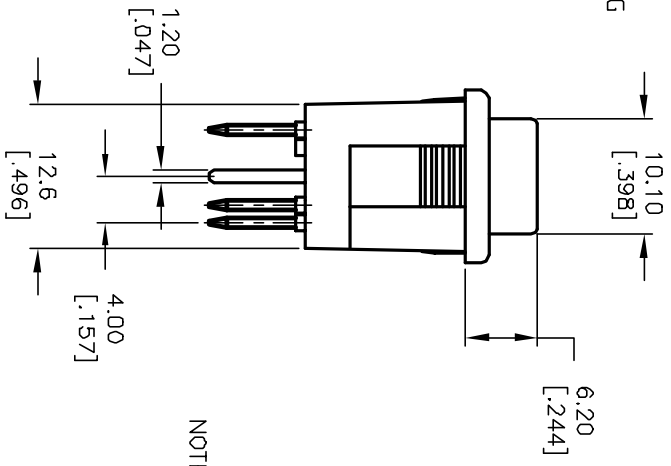
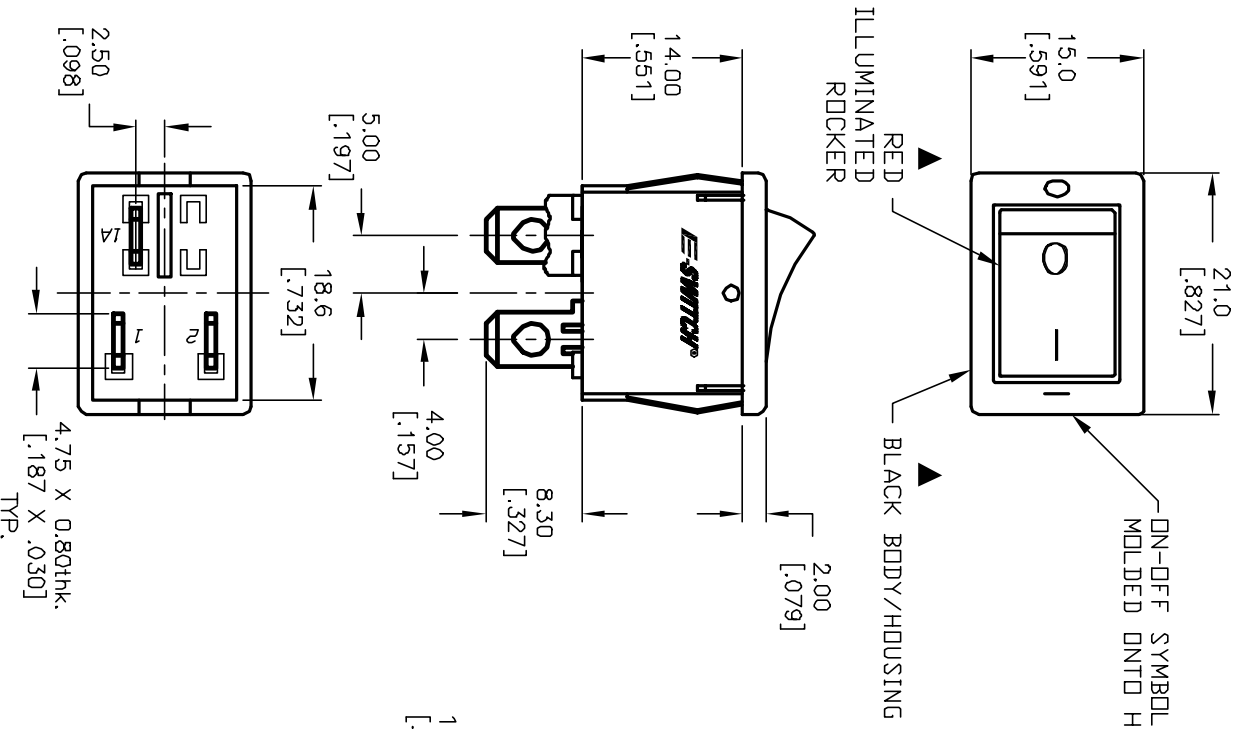
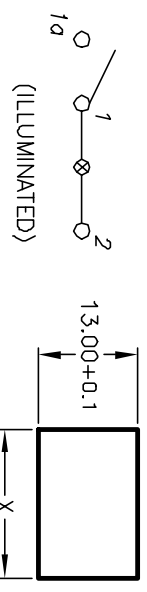


INCANDESCENT BULB

PARAMETERS	SYMBOL	MAX.	UNITS
LAMP VOLTAGE (AC/DC)	V	12	V
POWER DISSIPATION	P_d	2	Watts
CURRENT	I	100	mA



PANEL THICKNESS	X dimension
0.75-1.25 [0.30-.049]	19.2-01 [7.561]
1.25-2.0 [0.49-.079]	19.4-01 [7.641]
2.0-3.0 [0.79-.118]	19.8-01 [7.801]



NOTES:

1. ALL DIMENSIONS IN MM [INCH]
2. GENERAL TOLERANCE: X.XX=±0.4 X.XX=±0.25
3. RATING: 6A @250VAC; 9A @125VAC (UL, CSA, VDE) 4(1)A @250VAC
4. LAMP VOLTAGE: 12VDC (INCANDESCENT BULB)
5. MATERIAL: CONTACT SURFACE: Coin Silver, Silver Plate
TERMINAL: Copper Alloy w/ Silver Plate.
6. CONTACT RESISTANCE: 20MILLIOHMS TYP. INITIAL
7. INSULATION RESISTANCE: 1000Megaohms
8. DIELECTRIC STRENGTH: >1500V RMS min. @SEA LEVEL
>3000V RMS @SEA LEVEL
9. MECHANICAL LIFE: 50,000 CYCLES.
10. ELECTRICAL LIFE: 10,000 CYCLES.

E-SWITCH®

REV.	ECN No.	DESCRIPTION	DATE	CHKD
A	12568	RELEASED FOR PRODUCTION	11/15/02	CJB

TITLE	SCALE	DATE	DR	DWG	REV
R19734 BLK RIL FF3	1.5:1	11/15/02	CJB	M400067	A

THE INFORMATION CONTAINED IN THIS DOCUMENT IS PROPRIETARY TO E-SWITCH AND IS NOT TO BE COPIED OR TRANSFERRED