

AV series

Anti-vandal pushbutton switches •
 Ø 19 or 22 mm • momentary NO



DISTINCTIVE FEATURES

Momentary (NO)

Impact resistance IK08 for model Ø 19 mm (.748)
 and IK10 for model Ø 22 mm (.866)

Stainless steel actuator and bushing

UL-CSA approved (long case only)



ENVIRONMENTAL SPECIFICATIONS

- Impact resistance: IK08 for model Ø 19 mm (.748),
 IK10 for model Ø 22 mm (.866)
- Optional front panel sealing: IP65 according to IEC 60529
- Operating temperature: -30 °C to +70 °C (-22 °F to +158 °F)



ELECTRICAL SPECIFICATIONS

- Max. current/voltage rating with resistive load:
 - A contacts: 4 A 12 VDC, 500,000 cycles
 - C contacts: 2 A 48 VDC, 10,000 cycles
- Initial contact resistance: 50 mΩ max.
- Insulation resistance: 1,000 MΩ min. at 500 VDC
- Dielectric strength:
 - 2,000 Vrms 50 Hz min. between terminals and frame
 - 2,000 Vrms 50 Hz min. between terminals



GENERAL SPECIFICATIONS

- Torque: 5 Nm min.- 14 Nm max. applied to nut
- Panel thickness: 1 (.039) to 11 mm (.433) max.
- Low level or mechanical life: 1,000,000 cycles
- Hand soldering: 300 °C (572 °F), 3 sec. max.



MATERIALS

- Case: PBT
- Contacts: silver (A) or brass, silver plated (C)
- Bushing: stainless steel
- Actuator: stainless steel

The company reserves the right to change specifications without notice.



AV series

Anti-vandal pushbutton switches •
Ø 19 or 22 mm • momentary NO

AGENCY APPROVAL

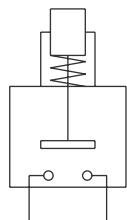


4 A 250 VAC / 8 A 125 VAC
(long case only)

To order switches marked UL-CSA,
add "UU" at the end of model number.



ELECTRICAL FUNCTIONS



Function 3 (NO)



PANEL MOUNTING

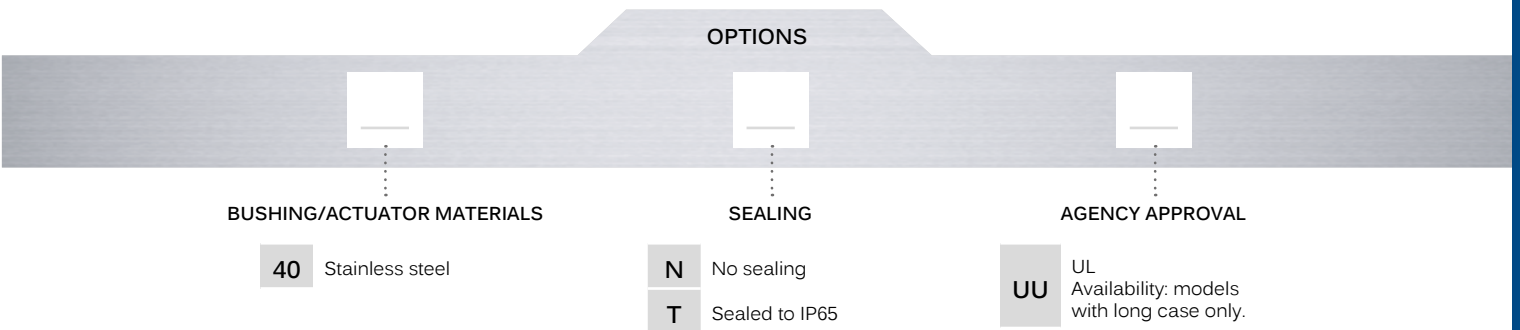
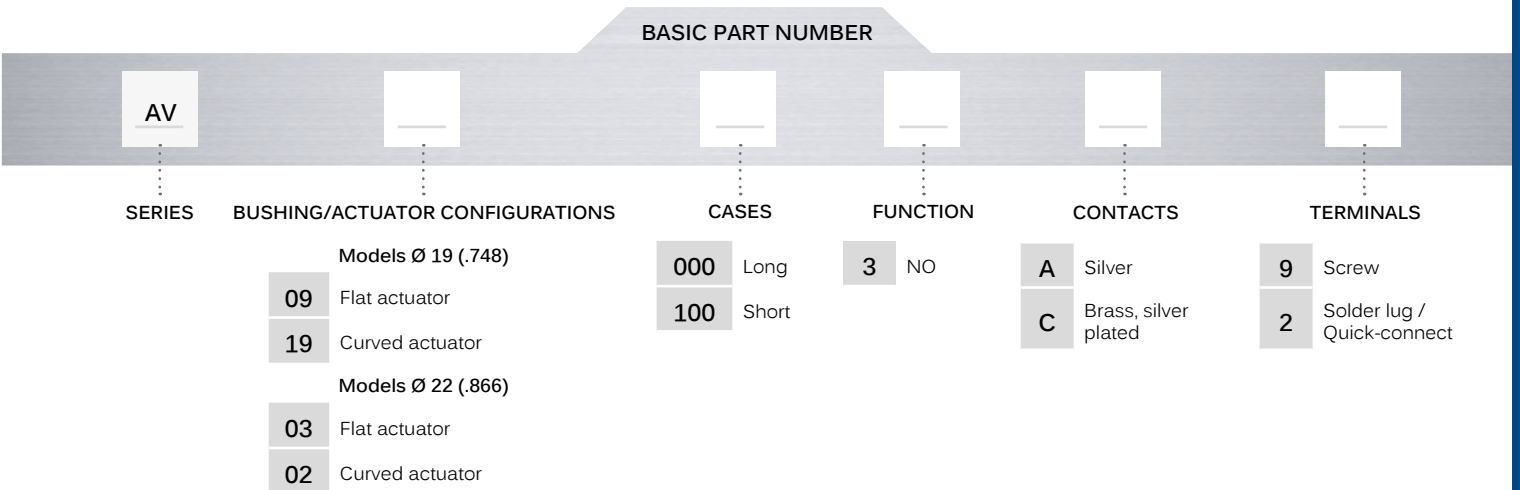
- Panel cut-out: Ø 19.2 mm (.755) or Ø 22.2 mm (.874)
- Min. pitch for matrix mounting:
30 mm x 30 mm (1.181 x 1.181)

AV series

Anti-vandal pushbutton switches •
 Ø 19 or 22 mm • momentary NO



BUILD YOUR PART NUMBER



ABOUT THIS SERIES

On the following pages, you will find successively : model structure of switches and options in the same order as in above chart

Notice: please note that not all combinations of above numbers are available. Refer to the following pages for further information.

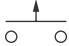
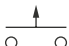
Mounting accessories: standard hardware supplied : 1 hex nut and 1 knurled nut (models dia. 19 mm) - 1 hex nut (models dia. 22 mm)
 Standard and special hardware is presented in the "Hardware" section of website.

AV series

Anti-vandal pushbutton switches •
 Ø 19 or 22 mm • momentary NO

BUSHING Ø 19 (.748) - FLAT ACTUATOR SHORT CASE - 48 VDC




- Screw terminals
AV091003•940 
- Solder lug /
 quick-connect term.
AV091003•240 

• Contacts. Replace with A or C.

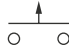
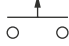

BUSHING Ø 19 (.748) - FLAT ACTUATOR LONG CASE - 4 A 250 VAC/8 A 125 VAC - UL/CSA



- Screw terminals
AV090003A940 

BUSHING Ø 19 (.748) - CURVED ACTUATOR

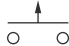



- Short case,
 screw terminals
AV191003•940 
- Long case,
 screw terminals
AV190003•940 
- Short case, solder lug/
 quick-connect term.
AV191003•240 

• Contacts. Replace with A or C.

BUSHING Ø 22 (.866) - FLAT ACTUATOR SHORT CASE - 48 VDC

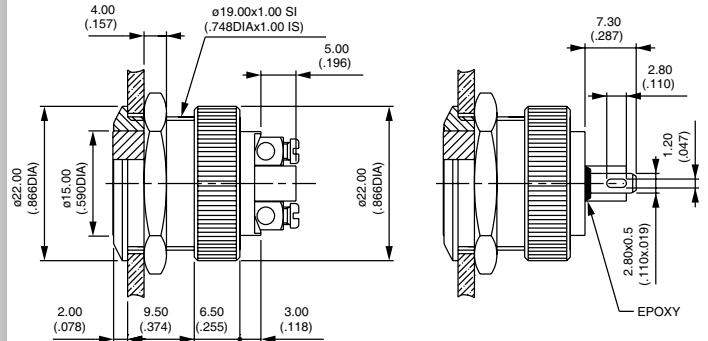


- Screw terminals
AV031003•940 
- Solder lug /
 quick-connect term.
AV031003•240 

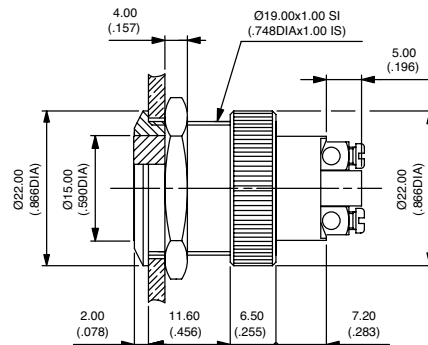
• Contacts. Replace with A or C.

Screw terminals for wires 1.5 mm² max.

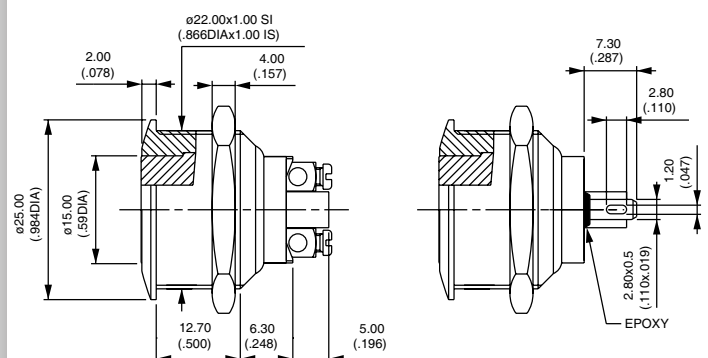
Hex nut 22 (.866) across flats



Hex nut 22 (.866) across flats



Hex nut 25 (.984) across flats



AV series

Anti-vandal pushbutton switches •
 Ø 19 or 22 mm • momentary NO

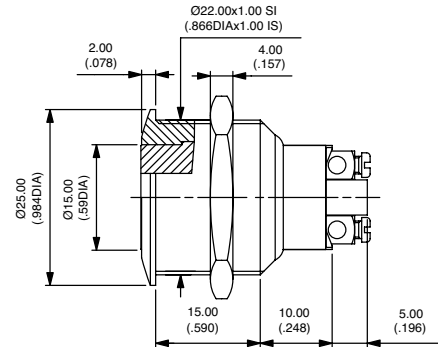
BUSHING Ø 22 (.866) - FLAT ACTUATOR LONG CASE - 4 A 250 VAC/8 A 125 VAC - UL/CSA



Screw terminals
AV030003A940



Hex nut 25 (.984) across flats



BUSHING Ø 22 (.866) - CURVED ACTUATOR



Short case,
 screw terminals
AV021003•940



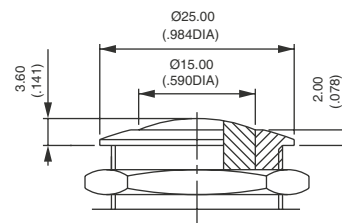
Long case,
 screw terminals
AV020003•940



Short case, solder lug/
 quick-connect term.
AV021003•240

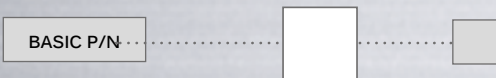


• Contacts. Replace with A or C.



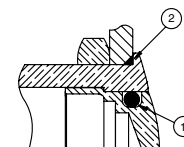
Screw terminals for wires 1.5 mm² max.

SEALING



- N No sealing
- T Sealed to IP65

OPTION T



- ① - internal gasket
 - ② - external gasket
- Option N does not include ① or ②.

AGENCY APPROVAL



- UU U-CSA marking (models with long case only.)