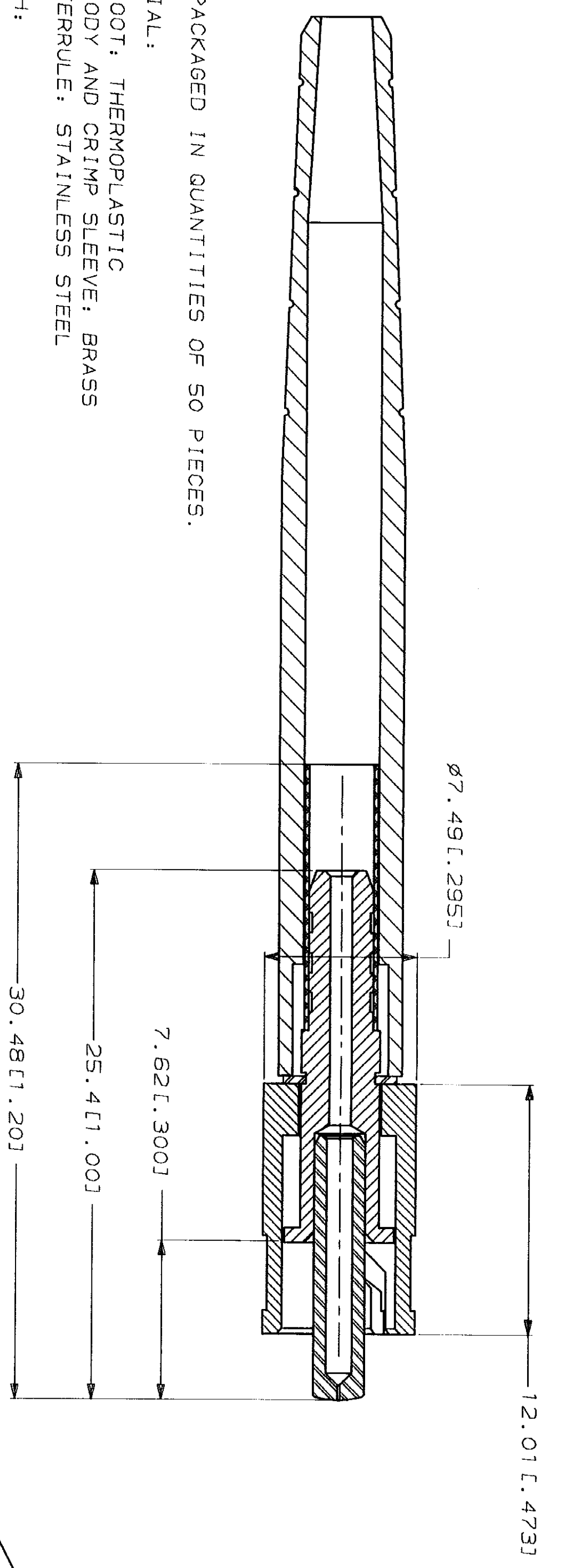
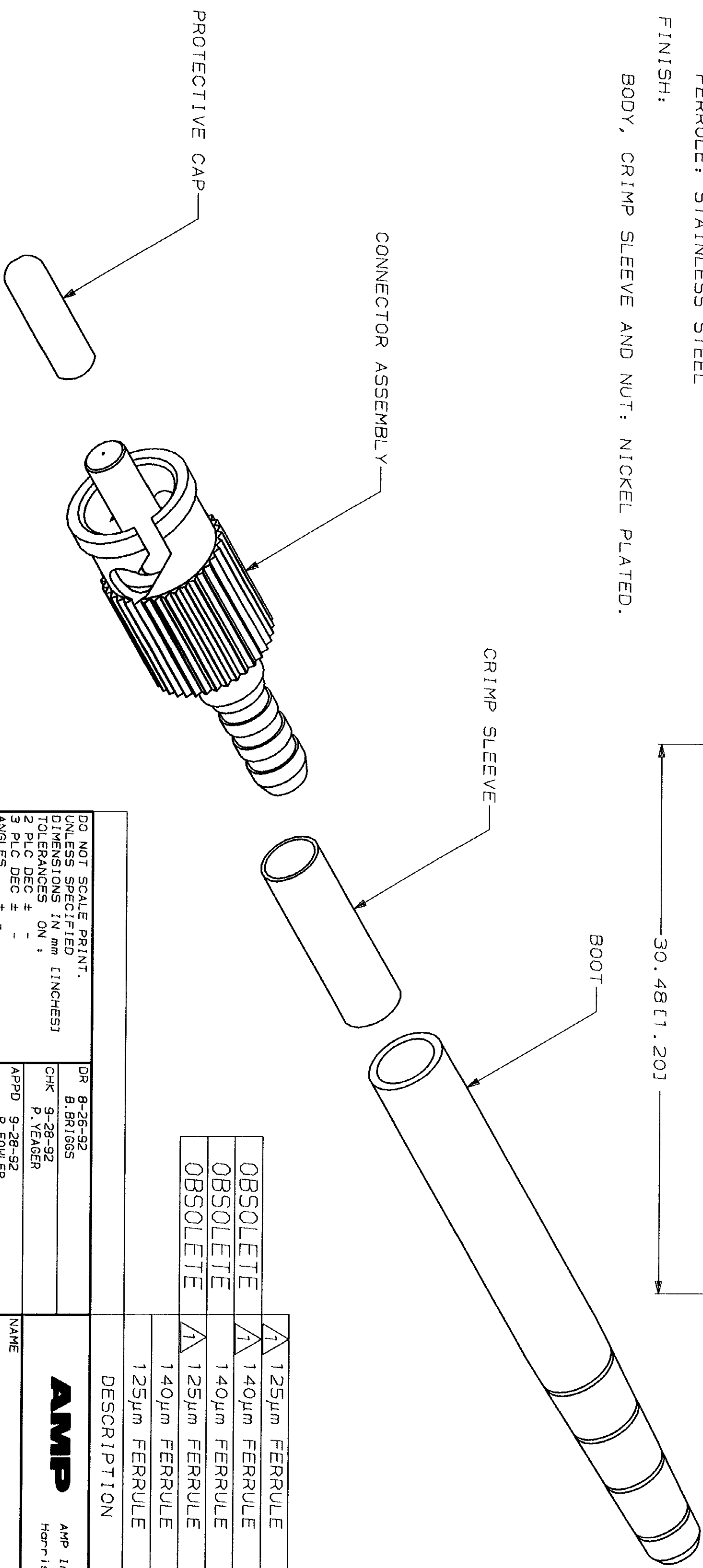


LOC	01ST	REV	DATE	APPD
CE	16		7-15-93	PV/RF
P	F	ZONE	DESCRIPTION	
		LTR	REVISED PER 0500-3052	



- 1 BULK PACKAGED IN QUANTITIES OF 50 PIECES.
- 2 MATERIAL:
 BOOT: THERMOPLASTIC
 BODY AND CRIMP SLEEVE: BRASS
 FERRULE: STAINLESS STEEL
- 3 FINISH:
 BODY, CRIMP SLEEVE AND NUT: NICKEL PLATED.



1	125µm FERRULE	504002-6
1	140µm FERRULE	504002-5
1	140µm FERRULE	504002-4
1	125µm FERRULE	504002-3
1	140µm FERRULE	504002-2
1	125µm FERRULE	504002-1

DR	8-26-92	B. BRIGGS
CHK	9-28-92	P. YEAGER
APPD	9-28-92	R. FOWLER
APPD	9-28-92	D. FISHER
PRODUCT SPEC		

DO NOT SCALE PRINT. UNLESS SPECIFIED DIMENSIONS IN mm (INCHES) TOLERANCES ON:	FINISH
2 PLG DEC #	3
3 PLG DEC #	2
ANGLES #	
MATERIAL	
APPLICATION SPEC	
WEIGHT	

AMP
 AMP Incorporated
 Harrisburg, PA 17105-3608

ASSEMBLY, MINI BNC CONNECTOR

SIZE	CAGE CODE	DRAWING NO
SCALE	00779	G=504002
SCALE	5:1	

METRIC

THIS DRAWING IS A CONTROLLED DOCUMENT FOR AMP INCORPORATED AND THE CONTROLLING ENGINEERING ORGANIZATION SHOULD BE CONTACTED FOR THE LATEST REVISION.

504002