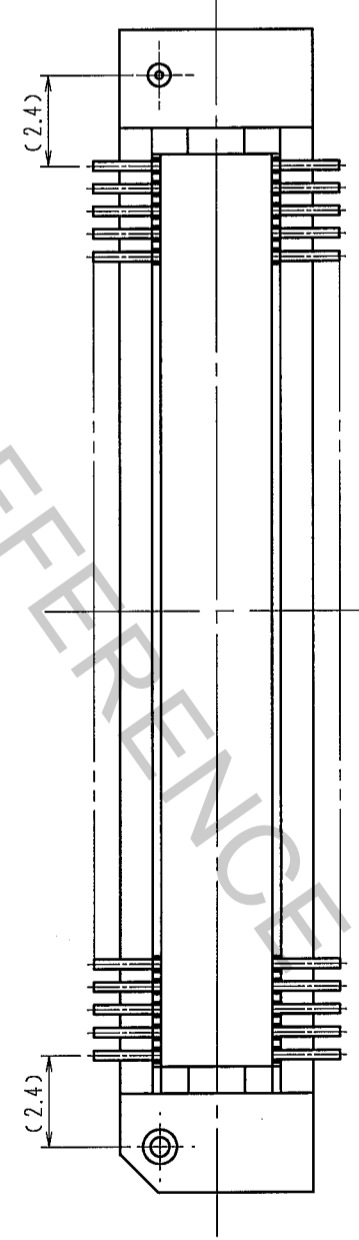
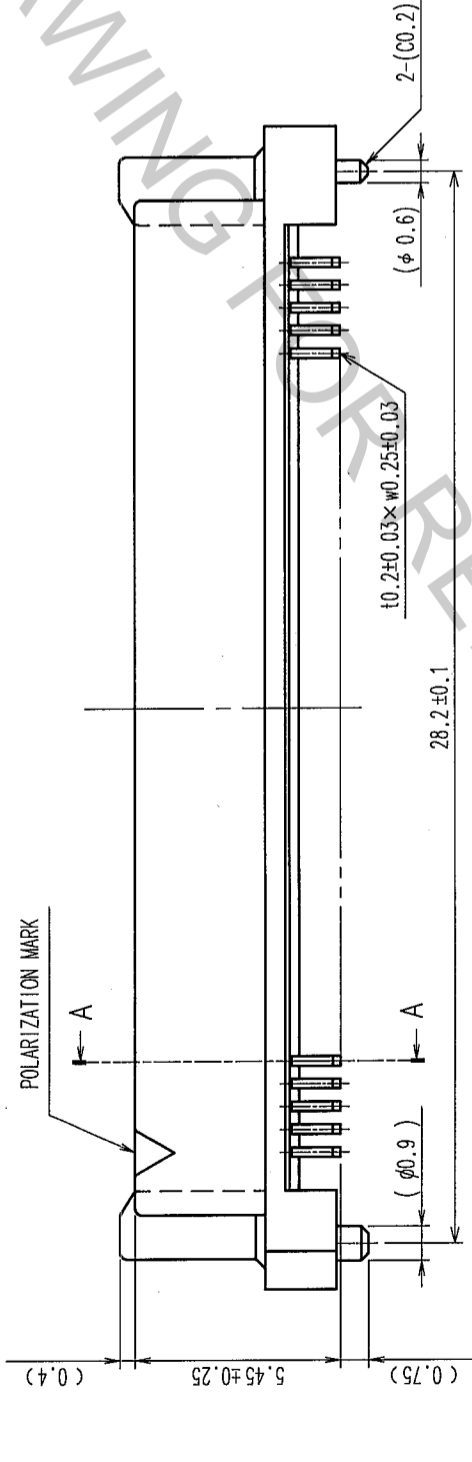
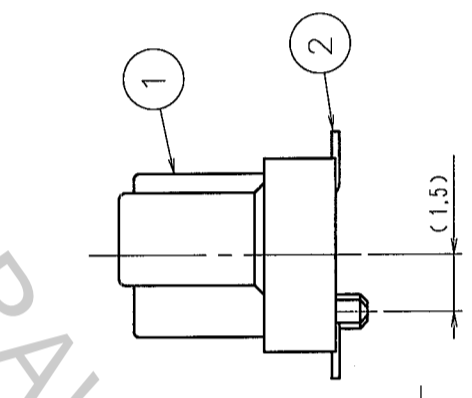
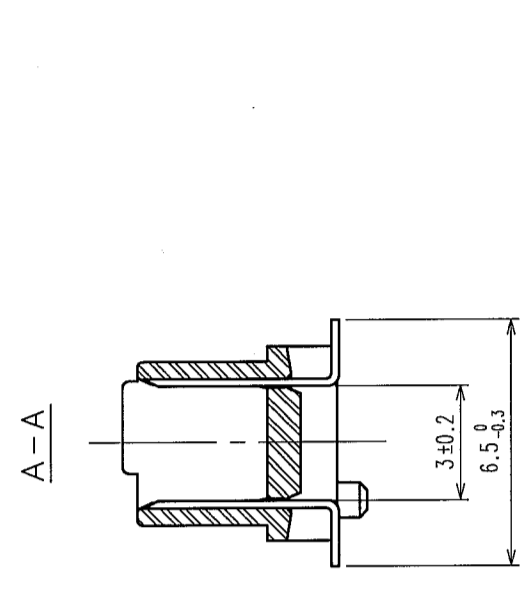
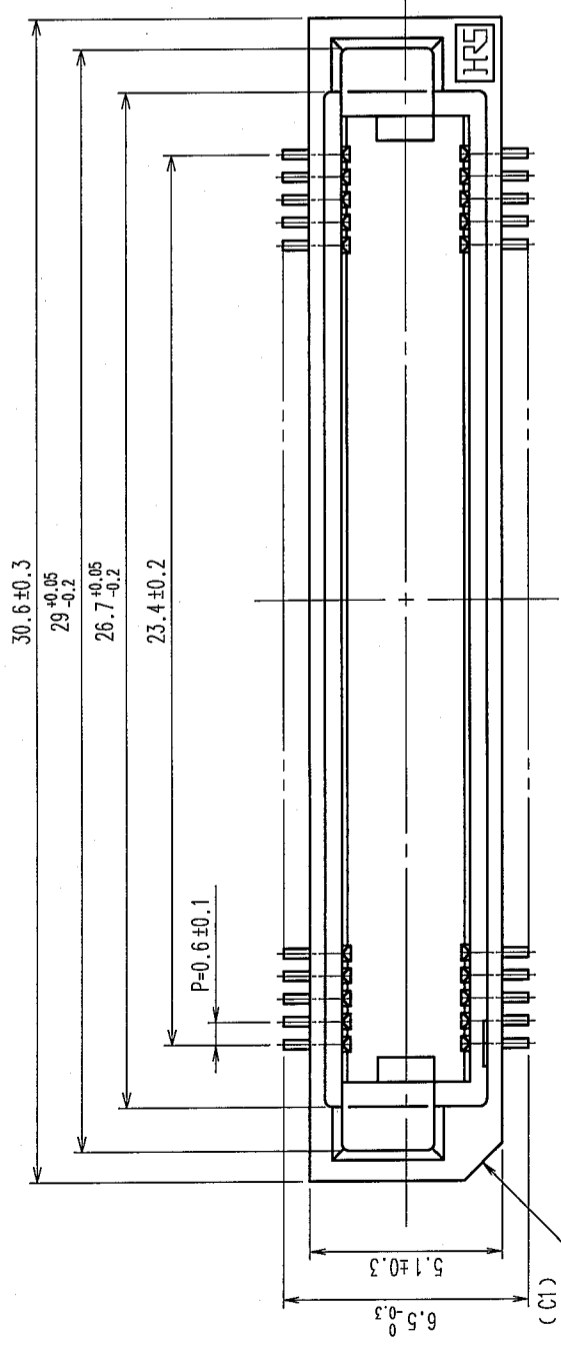
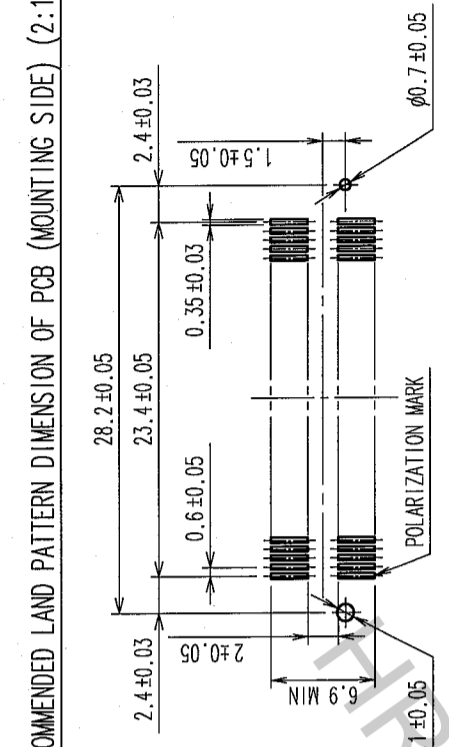


COUNT	DESCRIPTION OF REVISIONS	BY	CHKD	DATE	COUNT	DESCRIPTION OF REVISIONS	BY	CHKD	DATE
△					△				
△					△				

RECOMMENDED LAND PATTERN DIMENSION OF PCB (MOUNTING SIDE) (2:1)

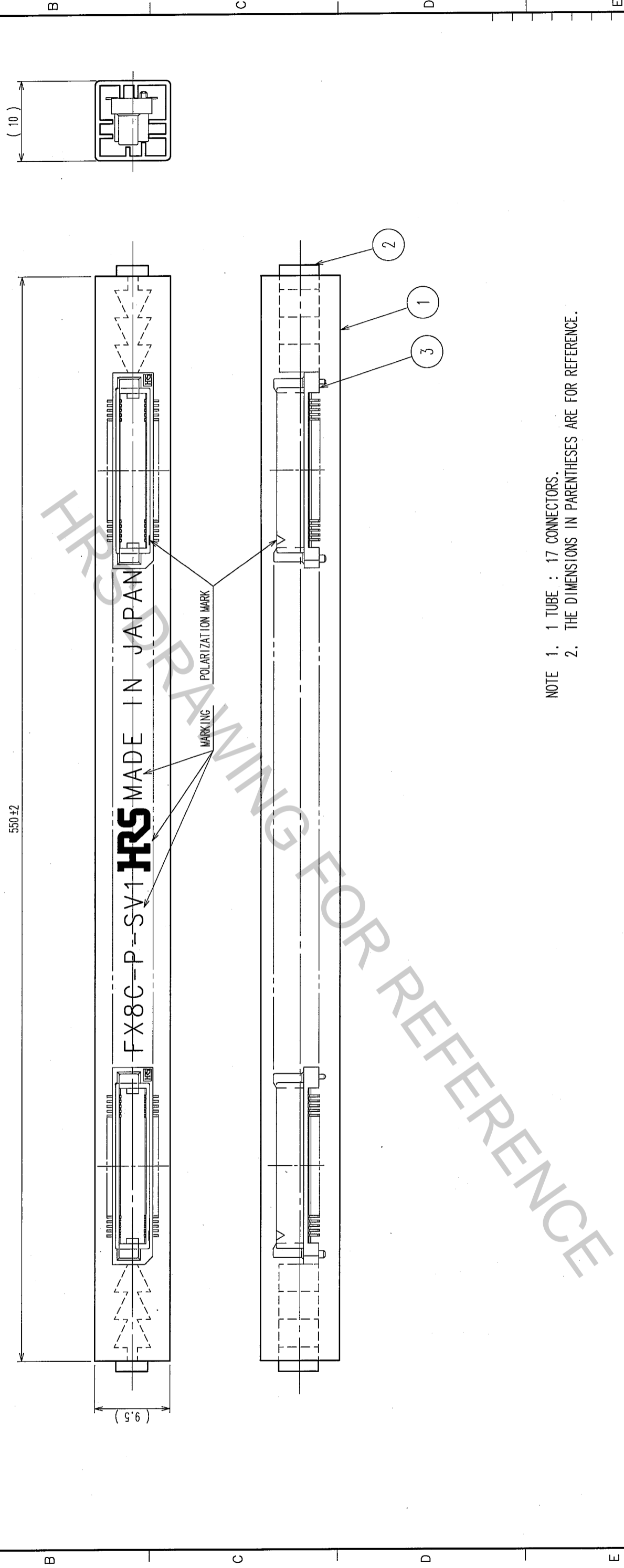


NOTE. 1. LEAD CO-PLANARITY SHALL BE 0.1mm MAX.  
 2. TUBE PACKAGING SHALL BE APPLIED FOR THIS PRODUCT.  
 SEE NEXT PAGE FOR DETAILS.  
 3. FOR MODIFICATION, ETC., PREVENTIVE HOLE FOR SINK MARK MAY BE ADDED ACCORDING TO CIRCUMSTANCES.  
 4. THE DIMENSIONS IN PARENTHESES ARE FOR REFERENCE.

1	PPS	LIGHT BROWN (UL94V-0)	2	PHOSPHOR BRONZE	CONTACT AREA: GOLD 0.1μm min. LEAD AREA: TIN-PLATING 1μm min. UNDER PLATING: NICKEL 1μm min.
NO.	MATERIAL	FINISH, REMARKS	NO.	MATERIAL	FINISH, REMARKS
CODE NO. (COLD) CL			DESIGNED K. NAKAMURA	CHECKED K. Ogiwara	APPROVED H. Okawa
			05.12.16	05.12.16	05.12.16
DRAWING NO. EDC3-150832-21		PART NO. FX8C-80P-SV1(91)			
SCALE 5:1					
UNITS mm					
HIROSE ELECTRIC CO., LTD.		CODE NO. CL578-0523-1-91		1/2	

TO	
PCK	

COUNT	DESCRIPTION OF REVISIONS	BY	CHKD	DATE	COUNT	DESCRIPTION OF REVISIONS	BY	CHKD	DATE
△					△				
△					△				
△					△				



NOTE 1. 1 TUBE : 17 CONNECTORS.  
 2. THE DIMENSIONS IN PARENTHESES ARE FOR REFERENCE.

2 POLYVINYL CHLORIDE (STOPPER)		3 (CONNECTOR)			
NO.	MATERIAL	FINISH, REMARKS	NO.	MATERIAL	FINISH, REMARKS
1	POLYVINYL CHLORIDE	(TUBE)	1	POLYVINYL CHLORIDE	(CONNECTOR)
CODE NO. (OLD) CL		DRAWN K. NAKAMURA			
		DESIGNED K. NAKAMURA		CHECKED K. Ogawa	
		05.12.16		05.12.16	
		05.12.16		05.12.16	
DRAWING NO. EDC3-150832-21		PART NO. FX8C-80P-SV1(91)			
SCALE FREE		APPROVED H. Kawara			
UNITS mm		CODE NO. CL578-0523-1-91		RELEASED	
				2	

TO	
PCK	