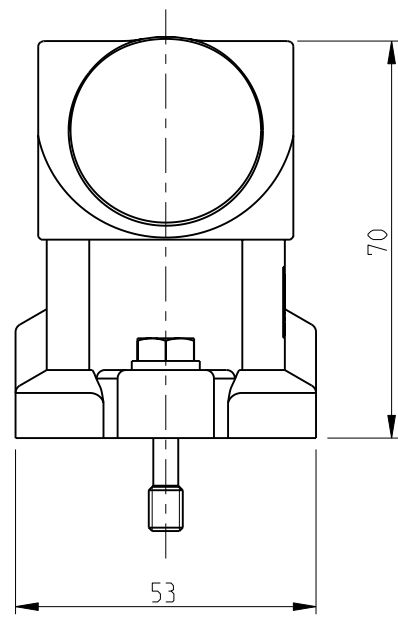
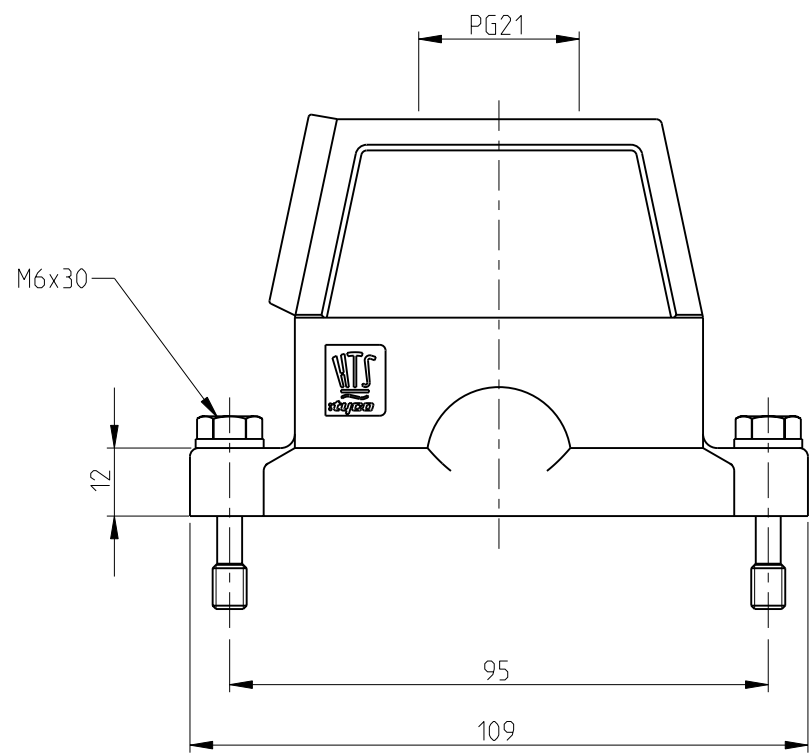


THIS DRAWING IS UNPUBLISHED. RELEASED FOR PUBLICATION 1997  
 © COPYRIGHT 1997 BY TYCO ELECTRONICS CORPORATION. ALL RIGHTS RESERVED.

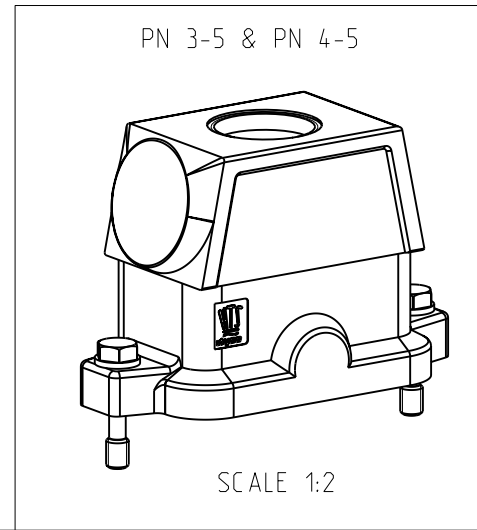
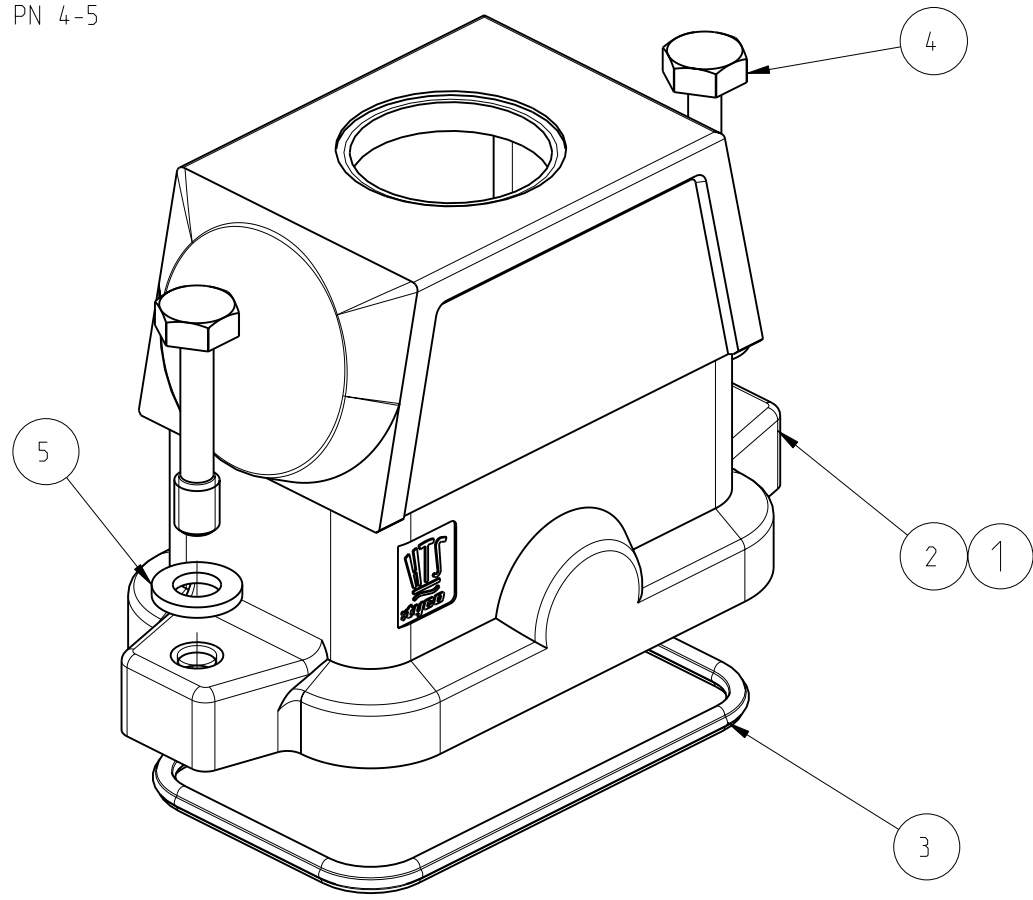
LOC	DIST	REVISIONS				
P	LTR	DESCRIPTION	DATE	DWN	APVD	
A1	-	C3	RELEASED AS PER ECR 08-023624	18-SEP-2008	GG	TS

PN 3-5 & PN 4-5



- NOTES
- 1 MATERIAL: HOUSING: ALUMINIUM DIECASTING ALLOY
  - 2 SURFACE: VARNISH -GREY  
chromital TCP - PASSIVATION  
VARNISH BLACK
  - 3 PARTS SHALL BE FREE AND CLEAN OF BURRS AND OTHER FOREIGN MATERIAL

PN 3-5 & PN 4-5



QTY	UNIT	DESCRIPTION	MATERIAL	SURFACE	COLOR	ITEM NO	NOTES
2	2	WASHER, PLAIN	STAINLESS STEEL	BLANK		5	
2	2	SCREW, HEXAGONAL BOLT	STAINLESS STEEL	BLANK		4	
1	1	SEAL	NBR		CONDUCTIVE BLACK	3	68±3,SHORE A
1	-	HOOD SIZE 4 HIP BG4 PG-THREAD	ALUMINIUM/ALU	YELLOW CHROMATED	BLACK RAL 9005	2	EMV-K.10/24
-	1	HOOD SIZE 4 HIP BG4 PG-THREAD	ALUMINIUM/ALU		GREY RAL 7001	1	EMV.10/24
4-5	3-5	DESCRIPTION	MATERIAL	SURFACE	COLOR	ITEM NO	NOTES
		EMV.10/24.STO.1.21.G					
		EMV-K.10/24.STO.1.21.G					

DIMENSIONS: mm 		TOLERANCES UNLESS OTHERWISE SPECIFIED: n.ISO 8015: n.ISO 2768-mH-E: n.DIN 16901-120 0 PLC ± 1 PLC ± 2 PLC ± 3 PLC ± 4 PLC ± ANGLES ±		DWN Kramer 20.05.98 CHK - APVD - PRODUCT SPEC - APPLICATION SPEC - WEIGHT -		<b>Tyco Electronics</b> Tyco Electronics.AMP.GmbH 53757,SanktAugustin,Germany NAME <b>HOOD</b> <b>ASSY EMV.10/24.STO.1.21.G</b> SIZE A3 CAGE CODE 007799 DRAWING NO C-1102715 RESTRICTED TO -	
MATERIAL 1		FINISH 2		CUSTOMER DRAWING		SCALE 3:4 SHEET 1 OF 1 REV C3	