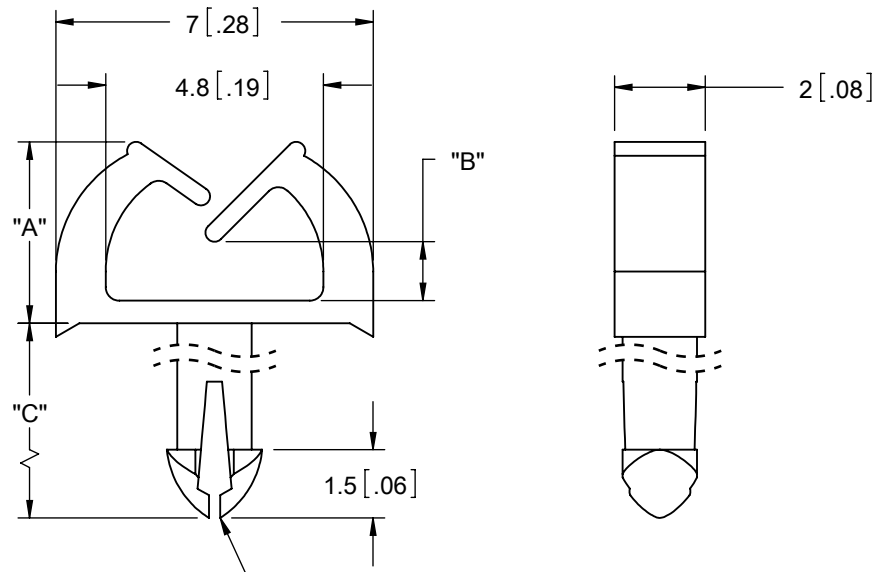


NYLON 6/6 UL 94 V-2 (RMS-01). COLOR: NATURAL. PART NO.	NYLON 6/6 UL 94 V-0 (RMS-19). COLOR: NATURAL. PART NO.	"A" REF	"B" REF	"C"	NOMINAL PANEL THICKNESS
MWSET1-1-01	MWSET1-1-19	4 [.16]	0.9 [.04]	3.3 [.13]	1.6 [.063]
MWSET1-1-1-01	MWSET1-1-1-19			4.1 [.16]	2.4 [.093]
MWSET1-2-01	MWSET1-2-19	6 [.24]	2.9 [.11]	3.3 [.13]	1.6 [.063]
MWSET1-2-1-01	MWSET1-2-1-19			4.1 [.16]	2.4 [.093]



TO SNAP-LOCK IN A 1.7±0.05
[.067±.002] DIAMETER HOLE, IN AN
INDICATED PANEL THICKNESS

NOTES:
1. ALTERNATE UNITS FOR REFERENCE ONLY

E			SEE ECN #1230 FOR CHANGES			SK	10/09/06	TITLE: MICRO WIRE SADDLE (TEARDROP)			DWG IN MM [IN]		FINAL		PRINT TYPE			
-			SEE ENGINEERING FOR REVISIONS A-D			-	----	CREATED USING SOLIDWORKS			FILE #: MWSET1		DWN: SK		APP: RT			
REV.			DESCRIPTION			ENGR. DATE		GENERAL TOLERANCE UNLESS OTHERWISE NOTED ±0.25 ANG.=±1°			SHEET: 1 OF 1		SHEET SIZE: A		DT: 10/09/06		CHKD: SJ	
								RE: RICHCO, INC.			RICHCO, INC.		ENG@RICHCO-INC.COM		(773) 539-4060		PART #	
															SEE TABLE		CA	