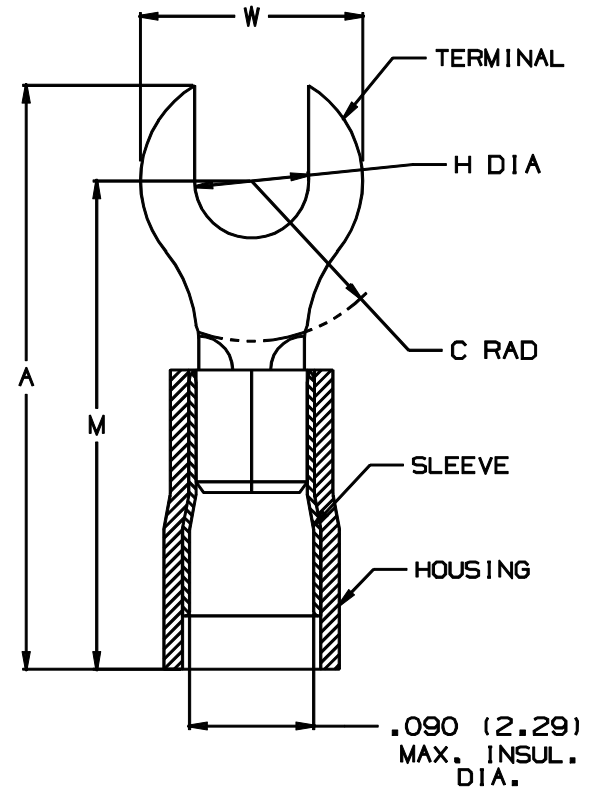


THIS COPY IS PROVIDED ON A RESTRICTED BASIS AND IS NOT TO BE USED IN ANY WAY DETRIMENTAL TO THE INTERESTS OF PANDUIT CORP.

PART NUMBER	STUD SIZE	WIRE RANGE AWG	DIMENSIONS (in.)				
			A \pm .03	W \pm .01	C \pm .01	M \pm .02	H \pm .02
PN22-2F	#2	#26-22	.66 (16.76)	.20 (5.08)	.19 (4.85)	.56 (14.22)	.09 (2.28)

NOTES

- RECOMMENDED FOR:
 - A. 300V MAX. VOLTAGE RATING
 - B. #26-22 AWG SOLID OR STRANDED COPPER WIRE
 - C. 221°F (105°C) MAX TEMP. RATING
- MATERIAL:
 - A. STAMPING: .020 (0.51) THK COPPER, TIN PLATED.
 - B. HOUSING: YELLOW NYLON
 - C. SLEEVE: TIN PLATED BRASS
- PACKAGE QUANTITY:
 - C = 100
 - M = 1000
- DIMENSIONS IN BRACKETS ARE IN MILLIMETERS
- INSTALLATION TOOLS: CT-520, CT-1525
- WIRE STRIP LENGTH : $3/16 \text{ }^{+1/32}_{-0}$ (4.76 $^{+0.8}_{-0}$)



A41234_01

										PANDUIT CORP.		TINLEY PARK, ILLINOIS								
01		JKD		ADDED CT-1525 TOOL						#26-22 BARREL NYLON INSULATED FORK										
00	7/97	TM	RLS	RELEASED										06083	LCA	RM				
REV	DATE	BY	CHK	DESCRIPTION						ECN #	QA	CUST	PM	APP	DRAWN BY	CHK'D	SCALE	NONE	DRAWING NO.	A41234