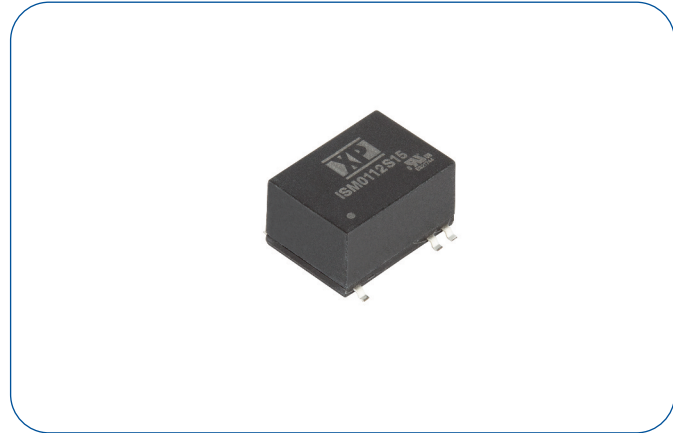


1 Watt

- International Medical Safety Approvals
- Single & Dual Output
- Compact SMD Package
- 4000 VAC Isolation
- 2 x MOPP at 250 VAC
- 2 μ A Patient Leakage Current
- Operating Temperature -40 °C to +95 °C
- Tape & Reel Package Available
- Optional Water Washable Versions
- 3 Year Warranty



Dimensions:

ISM01:

0.74 x 0.68 x 0.41" (18.9 x 17.2 x 10.5 mm)

Models & Ratings

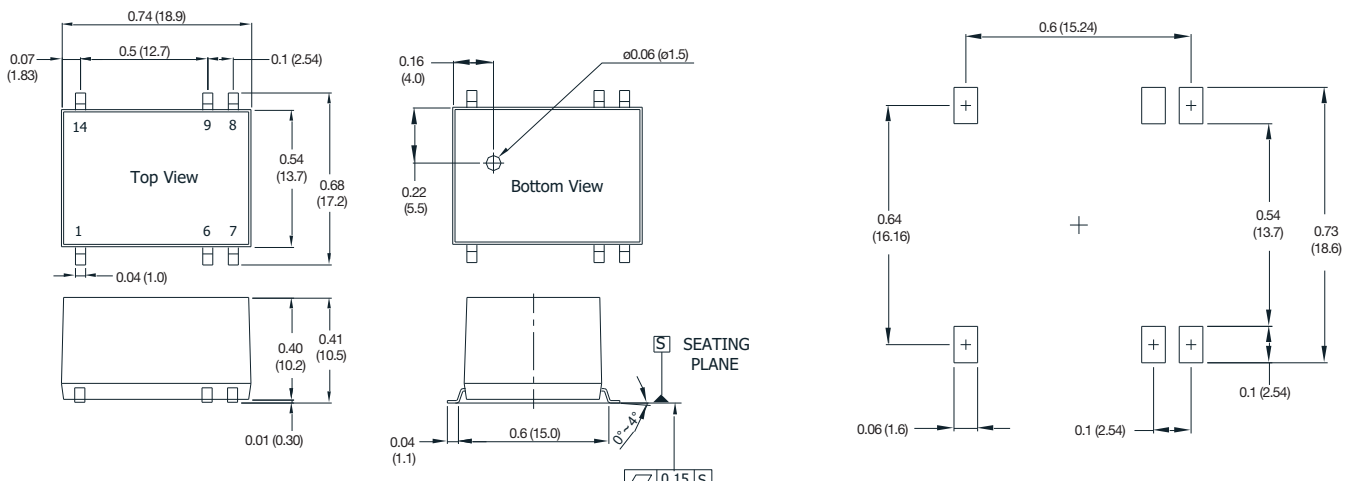
Input voltage	Output voltage	Output current		Input current ⁽¹⁾		Maximum ⁽²⁾ capacitive load	Reflected ripple current	Efficiency	Model number ⁽³⁾
		Min	Max	No load	Full load				
4.5-5.5	5 V	4.00 mA	200 mA	50 mA	265 mA	220 μ F	80 mA	76%	ISM0105S05
	12 V	1.68 mA	84 mA		250 mA	220 μ F		80%	ISM0105S12
	15 V	1.36 mA	68 mA		245 mA	220 μ F		83%	ISM0105S15
	± 12 V	± 0.84 mA	± 42 mA		250 mA	± 100 μ F		80%	ISM0105D12
	± 15 V	± 0.66 mA	± 33 mA		235 mA	± 100 μ F		84%	ISM0105D15
10.8-13.2	5 V	4.00 mA	200 mA	35 mA	110 mA	220 μ F	40 mA	76%	ISM0112S05
	12 V	1.68 mA	84 mA		105 mA	220 μ F		79%	ISM0112S12
	15 V	1.36 mA	68 mA		105 mA	220 μ F		80%	ISM0112S15
	± 12 V	± 0.84 mA	± 42 mA		105 mA	± 100 μ F		79%	ISM0112D12
	± 15 V	± 0.66 mA	± 33 mA		105 mA	± 100 μ F		80%	ISM0112D15
21.6-26.4	5 V	4.00 mA	200 mA	20 mA	55 mA	220 μ F	30 mA	76%	ISM0124S05
	12 V	1.68 mA	84 mA		55 mA	220 μ F		80%	ISM0124S12
	15 V	1.36 mA	68 mA		55 mA	220 μ F		80%	ISM0124S15
	± 12 V	± 0.84 mA	± 42 mA		55 mA	± 100 μ F		80%	ISM0124D12
	± 15 V	± 0.66 mA	± 33 mA		50 mA	± 100 μ F		80%	ISM0124D15

Notes

1. Input currents measured at nominal input voltage.
2. Maximum capacitive load is per output.

3. For optional water washable version, add suffix '-P' e.g. ISM0112S05-P.

Mechanical Details



Input

Characteristic	Minimum	Typical	Maximum	Units	Notes & Conditions
Input Voltage Range	4.5		5.5	VDC	5 V nominal
	10.8		13.2		12 V nominal
	21.6		26.4		24 V nominal
Input Filter	Internal Capacitor				
Input Surge			9	VDC for 1 s	5 V models
			18	VDC for 1 s	12 V models
			30	VDC for 1 s	24 V models

Output

Characteristic	Minimum	Typical	Maximum	Units	Notes & Conditions
Output Voltage	5.0		30	VDC	See Models and Ratings table
Initial Set Accuracy		±1.0	±3.0	%	
Output Voltage Balance		±0.1	±1.0	%	For dual output with balanced loads
Minimum Load	2			%	See Models and Ratings table
Line Regulation		±1.2	±1.5	%/1%	Output changes by max of 1.5% for each 1% change in input voltage
Load Regulation			10	%	10% to 100%
Ripple & Noise			100	mV pk-pk	20 MHz bandwidth. Measured using 0.47 µF ceramic capacitor.
Short Circuit Protection					Continuous, with auto recovery
Maximum Capacitive Load					See Models and Ratings table
Temperature Coefficient			0.02	%/°C	

General

Characteristic	Minimum	Typical	Maximum	Units	Notes & Conditions
Efficiency		80		%	See Models and Ratings table
Isolation: Input to Output	4000			VAC	Reinforced, 2 x MOPP at 250 VAC working voltage
Leakage Current			2	µA	
Isolation Resistance	10 ⁹			Ω	At 500 VDC
Isolation Capacitance		20		pF	
Switching Frequency		55		kHz	
Power Density			4.8	W/in ³	
Mean Time Between Failure	4.7			MHrs	MIL-HDBK-217F, +25 °C GB
Weight		0.01 (4.2)		lb (g)	
Moisture Sensitivity Level	Level 2				IPC/JEDEC J-STD-020D.1

Environmental

Characteristic	Minimum	Typical	Maximum	Units	Notes & Conditions
Operating Temperature	-40		+95	°C	See Derating Curve.
Storage Temperature	-50		+125	°C	
Case Temperature			+105	°C	
Humidity			95	%RH	Non-condensing
Cooling					Natural convection
Case Flammability	UL 94V-0 Rated				Non conductive black plastic
Lead-Free Reflow Solder Process					IPC/JEDEC J-STD-020D.1

Safety Approvals

Safety Agency	Safety Standard	Notes & Conditions
CB	IEC60601-1	Medical
UL	ANSI/AAMI ES60601-1	Medical

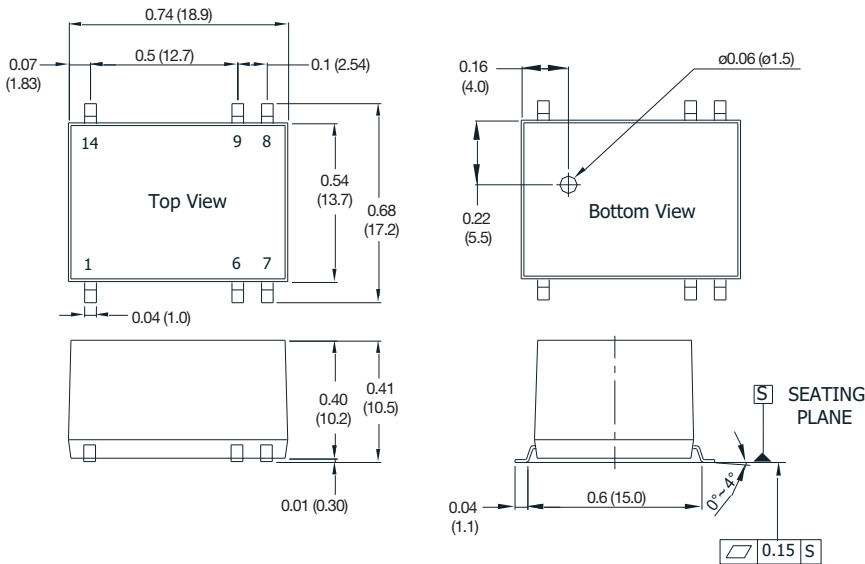
EMC: Emissions

Phenomenon	Standard	Test Level	Notes & Conditions
Conducted	EN55011	Class A	

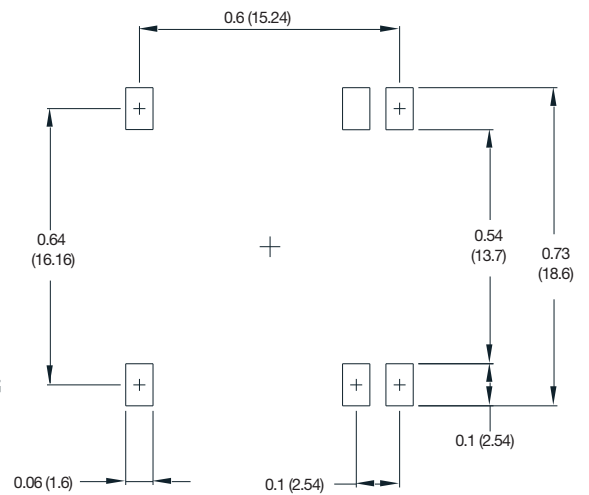
EMC: Immunity

Phenomenon	Standard	Test Level	Criteria	Notes & Conditions
ESD	EN61000-4-2	±15 kV air discharge, ±8 kV contact	A	
Radiated	EN61000-4-3	10 V/m	A	
EFT/Burst	EN61000-4-4	±2 kV	A	
Surge	EN61000-4-5	±1 kV	A	
Conducted	EN61000-4-6	10 V rms	A	
Magnetic Fields	EN61000-4-8	30 A/m	A	

Mechanical Details



Connecting Pin Pattern



Pin Connections		
Pin	Single	Dual
1	-Vin	-Vin
6	No Connection	Common
7	No Connection	-Vout
8	+Vout	+Vout
9	-Vout	Common
14	+Vin	+Vin

Notes

- All dimensions are in inches (mm)
- Weight: 0.01 lbs (4.2 g) approx.
- Tolerance: X.XX±0.02 (X.X±0.5)
X.XXX±0.01 (X.XX±0.25)
- Pin Tolerance: ±0.002 (±0.05)

Application Notes

Derating Curve

