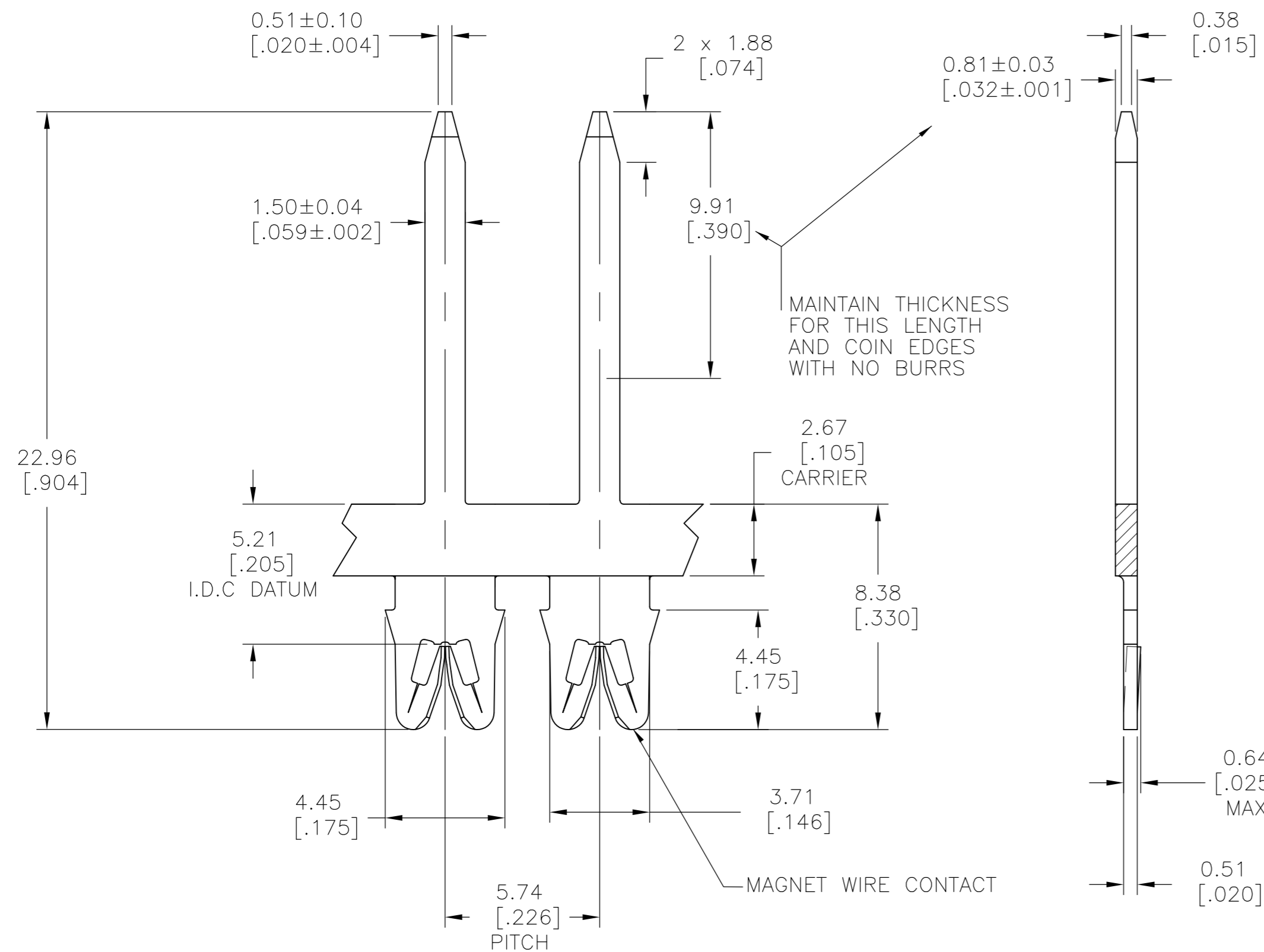
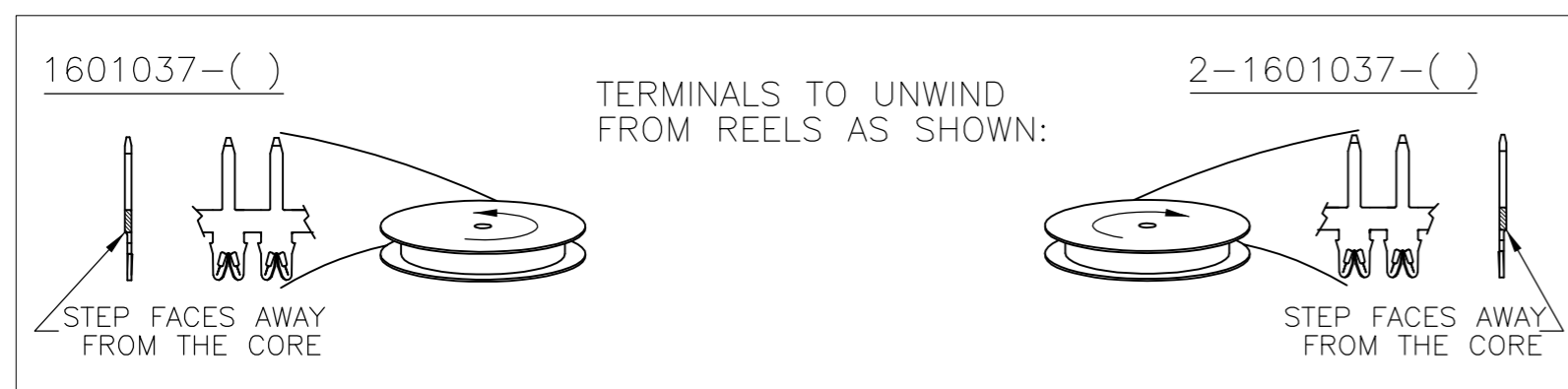
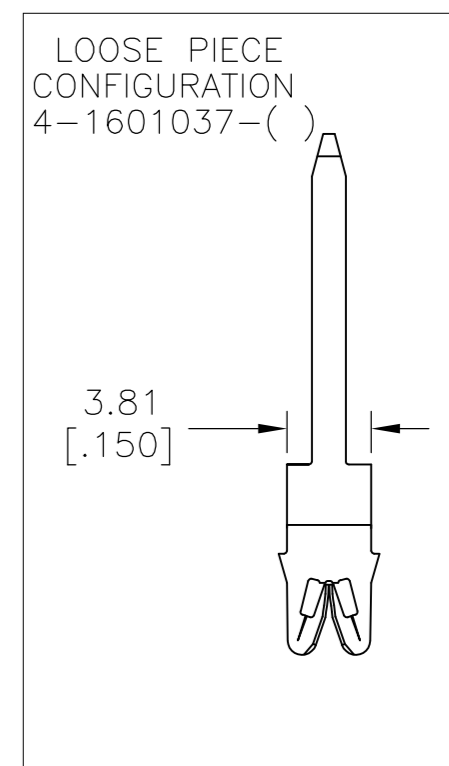


THIS DRAWING IS UNPUBLISHED. RELEASED FOR PUBLICATION
 © COPYRIGHT BY TYCO ELECTRONICS CORPORATION. ALL INTERNATIONAL RIGHTS RESERVED.

LOC		DIST		REVISIONS			
P	LTR	DESCRIPTION		DATE	DWN	APVD	
AF	50	C3		REVISED PER ECO-13-016300	17OCT13	JR	GJ



- SPECIFICATIONS:
MAGNET WIRE #18- #34 AWG
1.02 mm (.040)- 0.16 mm (.006) DIA COPPER.
- POCKET RECOMMENDATION: # 1601431
- TERMINAL APPLICATION TO COMPLY WITH TYCO ELECTRONICS SPECIFICATION 114-13166 FIGURE 10
- TERMINALS SUPPLIED ON REELS, CAN BE SUPPLIED LOOSE PIECE,
- TWO(2) TERMINALS SHOWN FOR ILLUSTRATION PURPOSES ONLY.



-	-	-
-	-	-
-	-	-
-	-	-
PRE-TIN PLATE	131-084-010	2-1601037-2
PRE-TIN PLATE	131-083-010	1601037-2
FINISH	REFERENCE PART NUMBER	TE PART NUMBER
THIS DRAWING IS A CONTROLLED DOCUMENT.		
DWN J.WELLER 11JAN2002		Tyco Electronics Corporation Harrisburg, PA 17105-3608
CHK M.FEHER 11JAN2002		
APVD K.RANDOLPH 11JAN2002		
PRODUCT SPEC		
DIMENSIONS: mm [INCHES]		NAME
TOLERANCES UNLESS OTHERWISE SPECIFIED:		108-2085
0 PLC ± -	1 PLC ± -	APPLICATION SPEC
2 PLC ± 0.13[.005]	3 PLC ± -	3
4 PLC ± -	ANGLES ± 2°	SIZE
MATERIAL BRASS, 3/4 HARD	FINISH SEE TABLE	WEIGHT -
CUSTOMER DRAWING		SCALE 6:1
CAGE CODE 00779		DRAWING NO C=1601037
RESTRICTED TO -		SHEET 1 OF 1
REV C3		