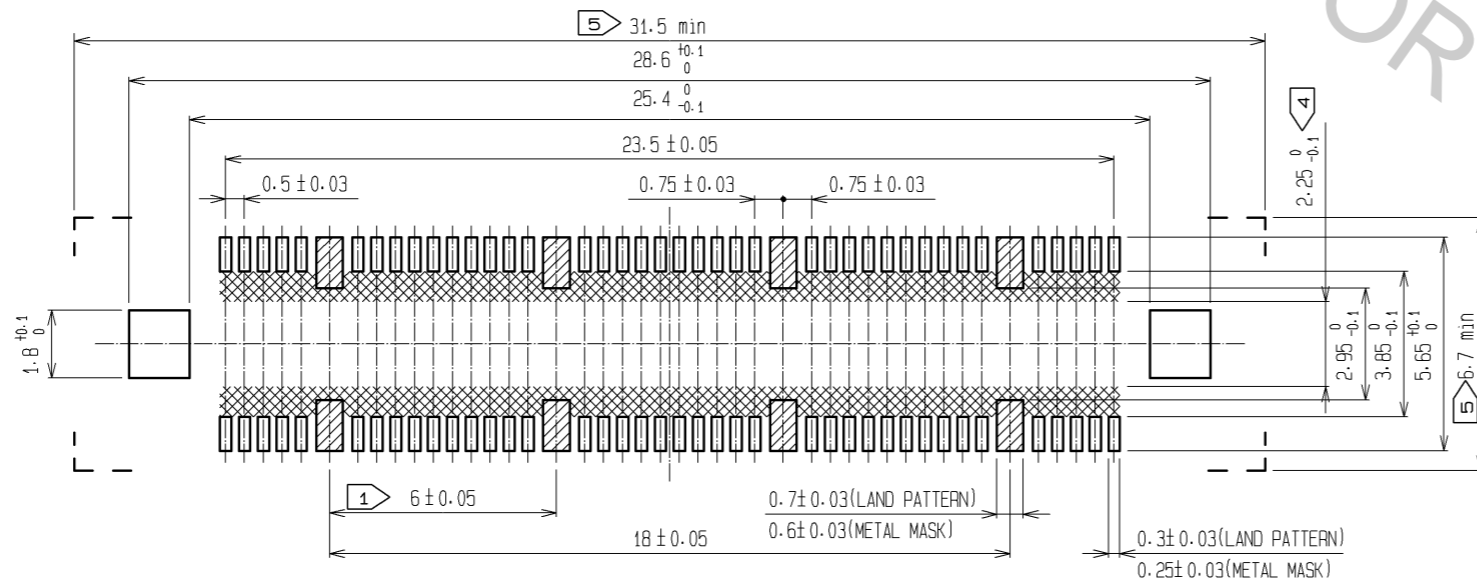
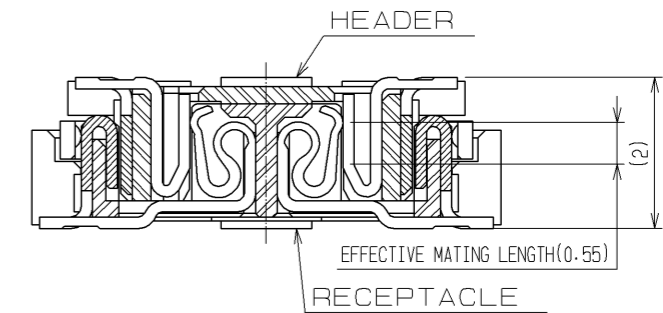


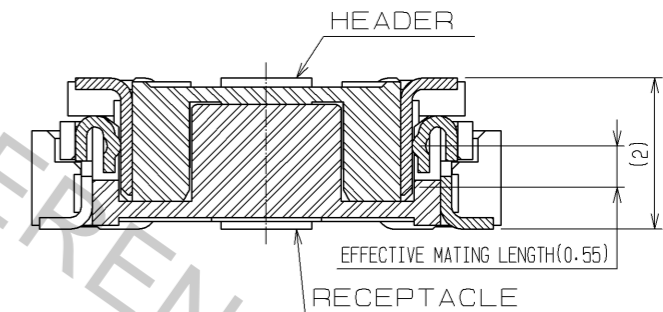
RECOMMENDED LAND PATTERN DIMENSION OF PCB  
(RECOMMENDED METAL MASK THICKNESS: 0.15mm)



SIGNAL PORTION CROSS SECTION (10:1)



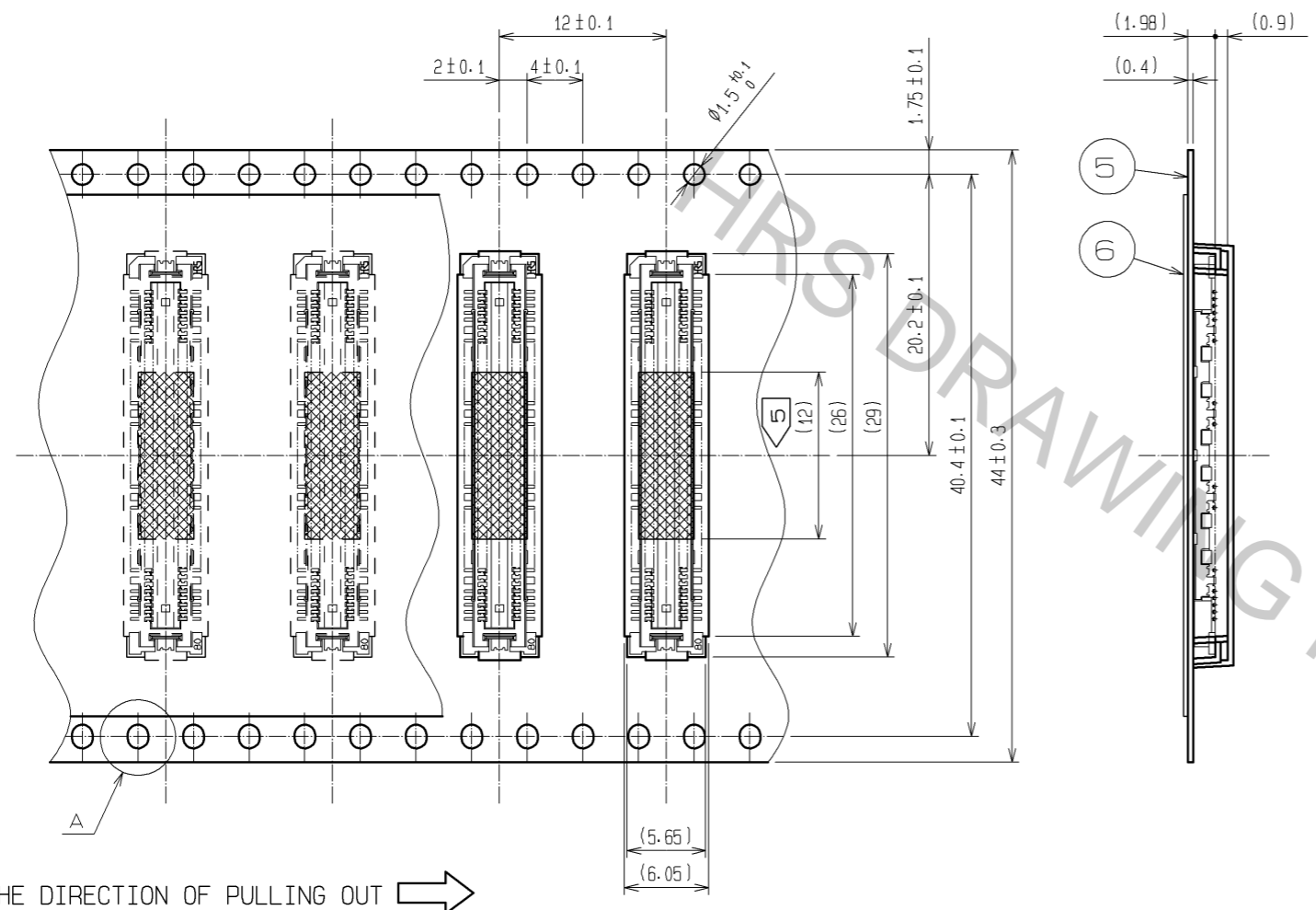
GROUND PORTION CROSS SECTION (10:1)



- NOTES
- ① 8 HATCHED PARTS: GROUND CIRCUIT.
  - ② SMT LEAD-COPLANARITY: 0.1 MAX.
  - ③ THIS PRODUCT HAS NO POLARITY TO PATTERN FOR MOUNTING.
  - ④ MAKE SURE WIDTH OF PATTERN IS WITHIN THAT OF LAND, OR LEAD MAY TOUCH PATTERN. (THIS APPLIES TO HATCHED AREA.)
  - ⑤ DO NOT MOUNT OTHER DEVICES ONTO AREA, OR MATING PAIR CANNOT BE MATED.
  - ⑥ TO BE EMBOSSED CARRIER TAPED AS SPECIFIED IN SHEET 2.
  - ⑦ THE DIMENSIONS IN PARENTHESES ARE FOR REFERENCE.

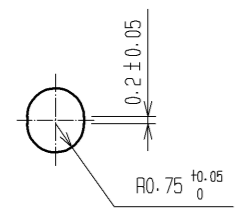
3, 4	PHOSPHOR BRONZE	TIN PLATING					
		CONTACT AREA : GOLD 0.1μm min.					
2	COPPER ALLOY	LEAD AREA : GOLD 0.05μm min.	7	POLYIMIDE	(TAPE FOR VACUUM PICKUP)		
		UNDER PLATING : NICKEL 1μm min.		6	PET	TOP COVER TAPE	
1	LCP	BEIGE UL94V-0	5	PS	EMBOSSED CARRIER TAPE		
NO.	MATERIAL	FINISH, REMARKS	NO.	MATERIAL	FINISH, REMARKS		
UNITS mm		SCALE 5 : 1	COUNT 	DESCRIPTION OF REVISIONS	DESIGNED	CHECKED	DATE
<b>HRS</b> HIROSE ELECTRIC CO., LTD.		APPROVED : HS. OKAWA	09.06.30	DRAWING NO. EDC3-152097-22			
		CHECKED : HT. YAMAGUCHI	09.06.30	PART NO. FX11LB-80P/8-SV(92)			
		DESIGNED : YN. TAKANO	09.06.30	CODE NO. CL573-0013-3-92			
		DRAWN : HK. SUNADORI	09.06.29	1/2			

# DRAWING FOR PACKING(2:1)

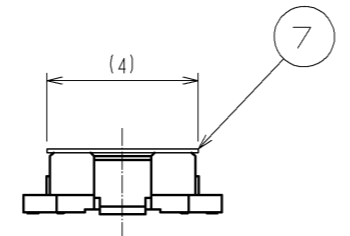


THE DIRECTION OF PULLING OUT →

A (5:1)



DETAIL FOR VACUUM PICKUP (5:1)



- NOTES
- 1 REEL: 1000 CONNECTORS.
  - 2 MINIMUM 10 COMPARTMENTS FROM BOTH REEL ENDS REMAIN EMPTY.
  - 3 THIS PRODUCT HAS NO POLARITY TO TAPE AND REEL PACKAGING.
  - 4 THE DIMENSIONS IN PARENTHESES ARE FOR REFERENCE.
  - 5 REMOVE THE VACUUM PICKUP TAPE AFTER MOUNTING THE CONNECTOR.

<b>HRS</b>	DRAWING NO.	EDC3-152097-22
	PART NO.	FX11LB-80P/8-SV(92)
	CODE NO.	CL573-0013-3-92
		△ 2/2