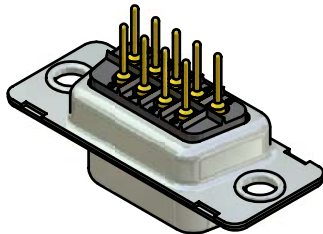
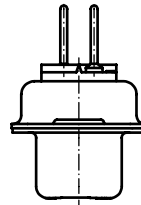
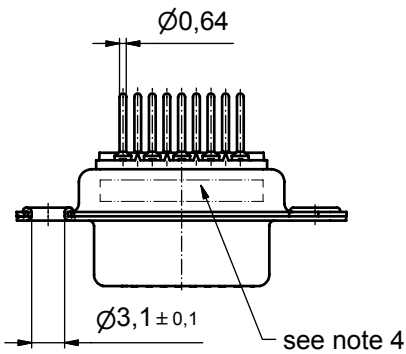
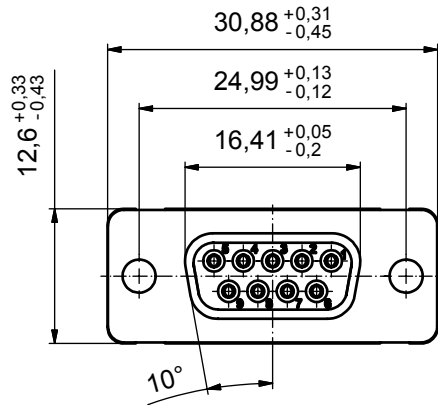
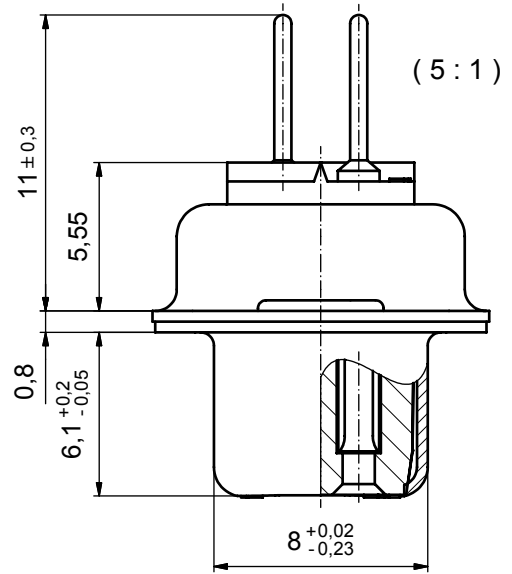


P.C.B. HOLE DRILLINGS



Directive 2002/95/EC  
RoHS  
Compliant

NOTES:

- METALSHELLS: STEEL; min. 315µin TIN over 40-80µin NICKEL
- INSULATORS: PBT GF UL 94 V-0, BLACK
- CONTACTS: COPPER ALLOY  
PLATING: 8µin HARD GOLD over min. 50µin NICKEL
- CONNECTOR IS PART MARKED: 164A10069X CONEC ABC

APPROVAL # FREIGABE # DEBLOCAGE # AUTORIZACION # APPROVAL	
CUSTOMER APPROVAL DATE:	
NAME:	TITLE:
COMPANY NAME:	
APPROVAL # FREIGABE # DEBLOCAGE # AUTORIZACION # APPROVAL	

THIS DRAWING MAY NOT BE COPIED OR REPRODUCED IN ANY WAY, AND MAY NOT BE PASSED ON TO A THIRD PARTY WITHOUT WRITTEN PERMISSION. OWNERSHIP AND COPYRIGHT OF CONEC GmbH			
DO NOT ALTER CAD DRAWING BY HAND			
rev.	description	date	name

finish:	see notes		
tolerance	ISO 2768-m		
dim. in mm	date		
	name		
	drawn	11.10.06 Lehmenkühler	
	appd.	11.10.06 Mickenbecker	
norm			
d-old			
		a	Origin

scale:	2:1 (5:1)	
material:	see notes	
title:		
<b>D-SUB FEMALE</b> 9pos. SOLDER PIN STRAIGHT		
dwg no:	Inventor 10	DIN-A3
	16K1A1911	sh: 1
part no:	164A10069X	