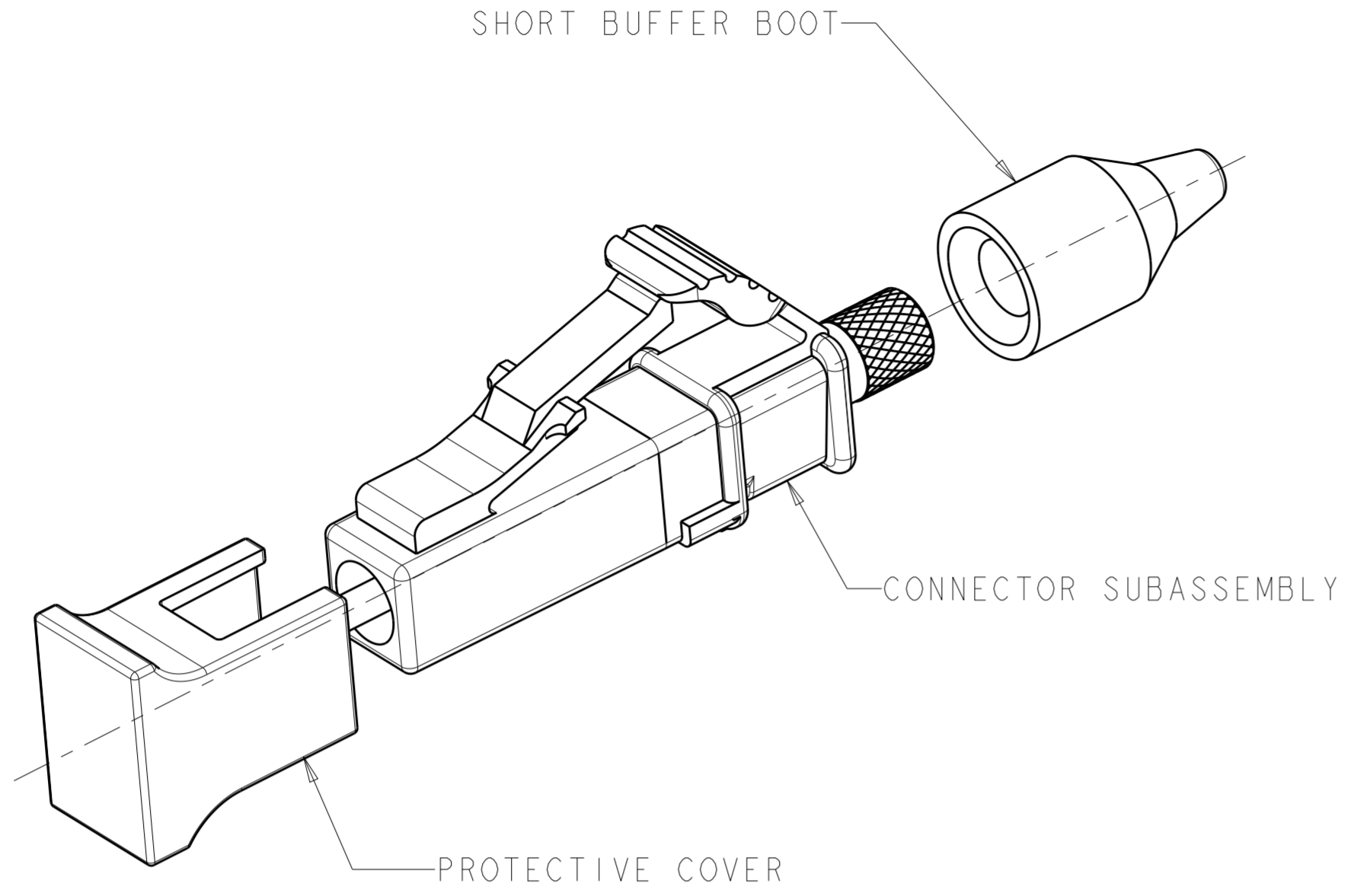


THIS DRAWING IS UNPUBLISHED. RELEASED FOR PUBLICATION
 © COPYRIGHT - BY TYCO ELECTRONICS CORPORATION. ALL INTERNATIONAL RIGHTS RESERVED.

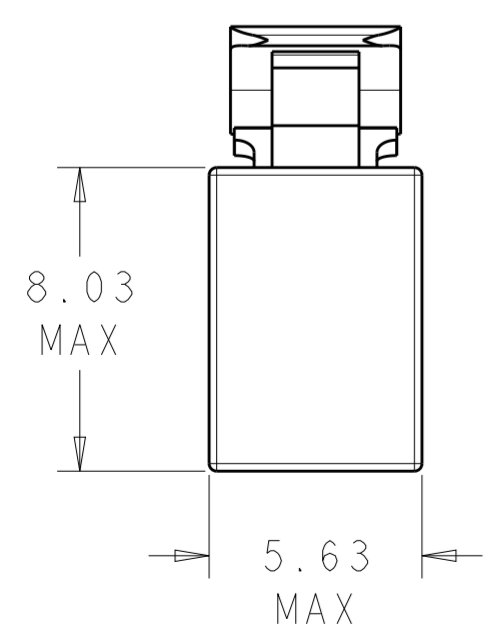
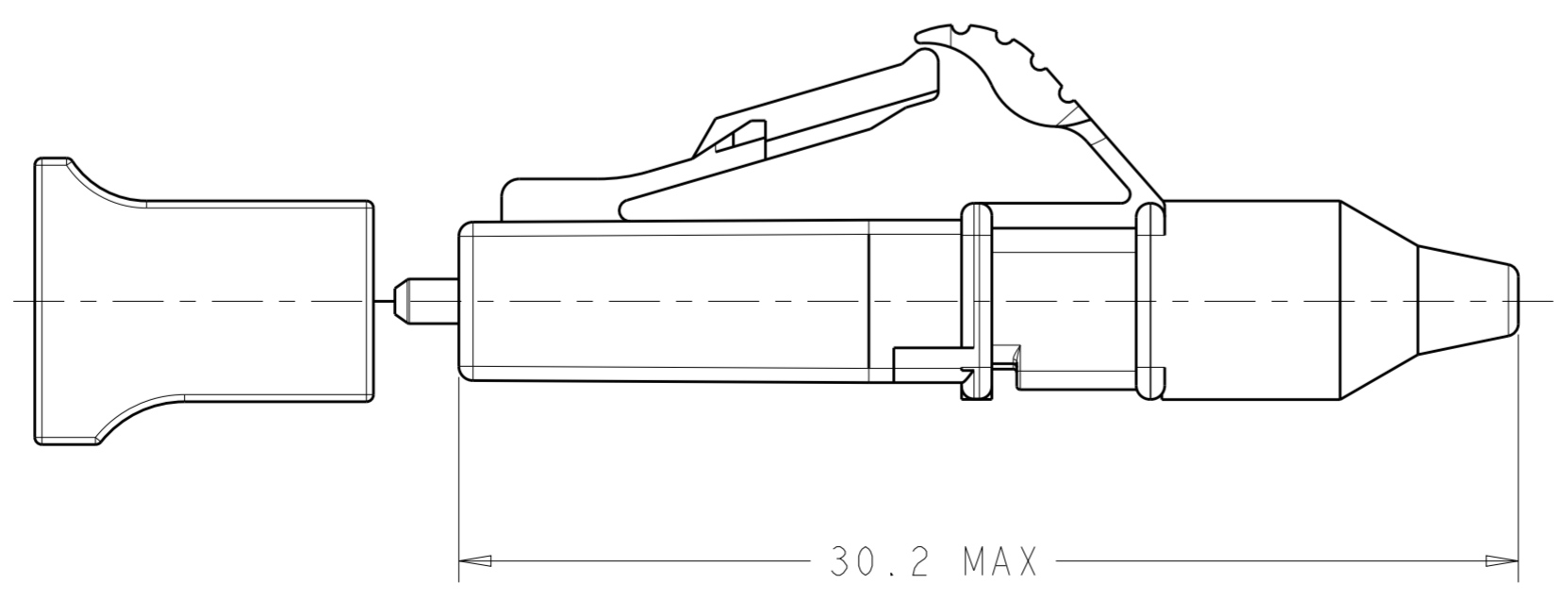
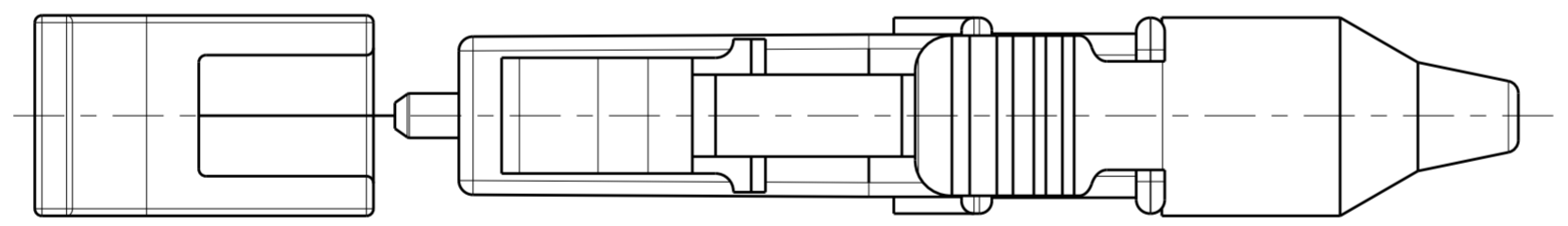
LOC	DIST	REVISIONS			
P	LTR	DESCRIPTION	DATE	DWN	APVD
HG	-	D	REV PER ECO-13-009893	13JUN2013	JM TE



1 MATERIAL
 PROTECTIVE COVER: PP, COLOR: WHITE, UL94 HB*
 FERRULE SUBASSEMBLY: ZIRCONIA/METAL
 COMPRESSION SPRING: STAINLESS STEEL
 FRONT HOUSING: PEI, COLOR: BEIGE, UL94 V-0*
 INNER TUBING: PTFE, COLOR: CLEAR, UL VW-1
 REAR BODY: METAL
 BOOT: TPE, UL94 V-0*, SEE TABLE FOR COLOR.
 *RATED AT QUALIFYING THICKNESS.

2 BULK PACKAGE.

3. INSTRUCTION SHEET: 408-8675 AVAILABLE FOR DOWNLOAD AT
www.tycoelectronics.com/documents OR
www.ampnetconnect.com/foguide.



BOOT COLOR	PART NUMBER
BLACK	1918385-6
AQUA	1918385-5
BLACK	1918385-4
AQUA	1918385-3
BEIGE	1918385-2
BEIGE	1918385-1

<small>THIS DRAWING IS A CONTROLLED DOCUMENT FOR TYCO ELECTRONICS CORPORATION. IT IS SUBJECT TO CHANGE AND THE CONTROLLING ENGINEERING ORGANIZATION SHOULD BE CONTACTED FOR THE LATEST REVISION.</small>		DWN B. BRIGGS 03MAY2006 CHK D. ROHDE 03MAY2006 APVD S. BUCHTER 03MAY2006	Tyco Electronics Corporation Shanghai, China
DIMENSIONS: mm TOLERANCES UNLESS OTHERWISE SPECIFIED: 0 PLC ± 1 PLC ± 2 PLC ± 3 PLC ± 4 PLC ± ANGLES ± FINISH	MATERIAL 1	PRODUCT SPEC - APPLICATION SPEC - WEIGHT - CUSTOMER DRAWING	NAME KIT, CONNECTOR, LC, SIMPLEX, MM, 900um BUFFER SIZE A2 CAGE CODE - DRAWING NO G-1918385 RESTRICTED TO - SCALE 5:1 SHEET 1 OF 1 REV D