

| | | | | | | | |
|-----|------|-----------|-----|-------------|-----------|-----|------|
| LOC | DIST | REVISIONS | | | | | |
| - | - | P | LTR | DESCRIPTION | DATE | DWN | APVD |
| | | | 1 | NEW DRAWING | 21SEP2013 | GK | EC |
| | | | | | | | |
| | | | | | | | |

SAFETY ORGANIZATIONS

THIS FILTER HAS BEEN FORMALLY RECOGNIZED, CERTIFIED OR APPROVED BY THE LISTED AGENCY. THEREFORE, ALL TEST/REQUIREMENTS SPECIFIED IN THE LATEST REVISION OF THE FOLLOWING AGENCY STANDARDS HAVE BEEN MET:

OPERATING SPECIFICATIONS

LINE CURRENT/VOLTAGE: 250 A, 690 VAC
 LINE FREQUENCY: 50-60 Hz
 NOMINAL LEAKAGE CURRENT: 10 mA
 MAXIMUM LEAKAGE CURRENT: 330mA @ 400V, 50HZ
 OPERATING AMBIENT TEMPERATURE RANGE @ RATED CURRENT, I : -10°C TO +50°C

IN AN AMBIENT, T, HIGHER THAN 40°C, THE MAXIMUM OPERATING CURRENT, I, IS AS FOLLOWS:

$$I_o = I_R \sqrt{\frac{100 - T_o}{50}}$$

RELIABILITY SPECIFICATIONS

STORAGE TEMPERATURE: -40°C TO +85°C
 HUMIDITY: 21 DAYS @ 40°C AND 95% RH

TEST SPECIFICATIONS

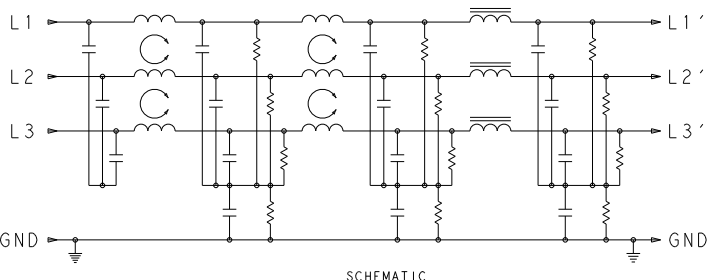
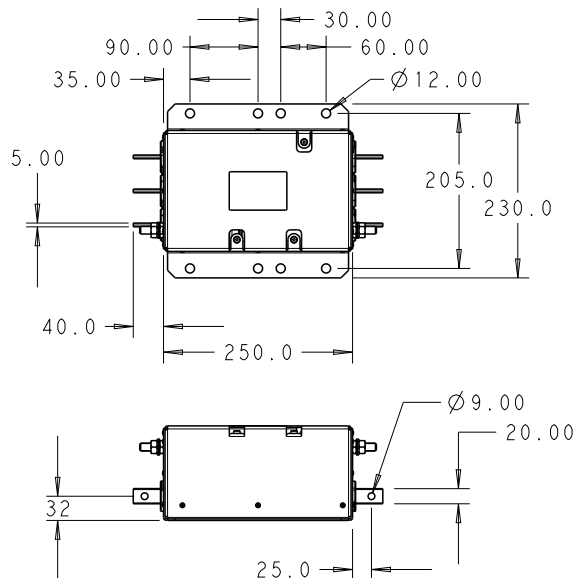
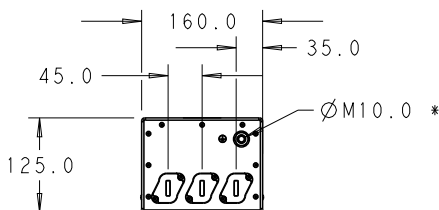
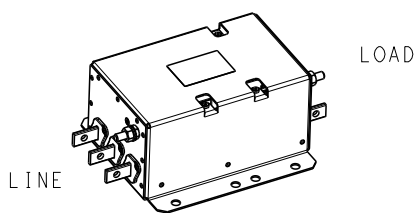
INDUCTANCE, NOMINAL: 64.1 μH
 CAPACITANCE @ 1 kHz, 0.25 VAC MAX., 25°C ±1°C:
 LINE TO GROUND, NOMINAL: 2.6 μF
 LINE TO LINE, NOMINAL: 9.5 μF
 DISCHARGE RESISTOR L/G AND L/L I.R. 666kΩ / 666kΩ
 IR (NO DISCHARGE RESISTOR) 20°C, 50% RH AND 100VDC, MIN: 6000MΩ

RECOMMENDED RECEIVING INSPECTION HIPOT

LINE TO GROUND FOR 1 MINUTE: 2520 VDC
 LINE TO LINE FOR 1 MINUTE: 2640 VDC

FILTER APPROVAL:

THE BEST WAY TO SELECT AND QUALIFY A FILTER IS FOR YOUR ENGINEERING TO TEST THE UNIT IN YOUR EQUIPMENT.



* DO NOT LOOSEN INNER GROUND NUTS. TORQUE OUTER GROUND NUTS TO: 25-30 NM [220-260 IN-LB]

TYPICAL INSERTION LOSS
 COMMON MODE 50/50 Ω; DIFFERENTIAL MODE 100/100 Ω

| MHz | 0.01 | 0.05 | 0.15 | 0.5 | 1.0 | 3.0 | 5.0 | 10 | 30 |
|-----|------|------|------|-----|-----|-----|-----|----|----|
| CM | 11 | 26 | 66 | 80 | 77 | 68 | 61 | 47 | 26 |
| DM | 31 | 43 | 65 | 79 | 65 | 54 | 50 | 43 | 31 |

20

RELEASED FOR PUBLICATION

ALL RIGHTS RESERVED.

BY -

© COPYRIGHT 20

| | | | | |
|--|------------------|-----------|---------------|-----------------------------------|
| DIMENSIONS: mm | DWN GK | 21SEP2013 | MATERIAL | FINISH |
| TOLERANCES UNLESS OTHERWISE SPECIFIED: | CHK EC | 21SEP2013 | | |
| 0 PLC ±2.0 | APVD EC | 21SEP2013 | | |
| 1 PLC ±1.0 | PRODUCT SPEC | - | | |
| 2 PLC ±0.13 | APPLICATION SPEC | - | | |
| 3 PLC ±0.013 | WEIGHT | - | NAME | 250ACPD12 3-PHASE DELTA FILTER |
| 4 PLC ±0.0001 | | | SIZE | A4 |
| ANGLES ±- | | | CAGE CODE | 00779 |
| | | | DRAWING NO | C-8-1609148-7-1 |
| | | | RESTRICTED TO | - |
| Customer Drawing | | | SCALE | 1:1 |
| | | | SHEET | 1 OF 1 |
| | | | REV | 1 |