

COUNT	DESCRIPTION OF REVISIONS	BY	CHKD	DATE	COUNT	DESCRIPTION OF REVISIONS	BY	CHKD	DATE
2	DIS-H-002388	T.Y	T.M	07.08.27					

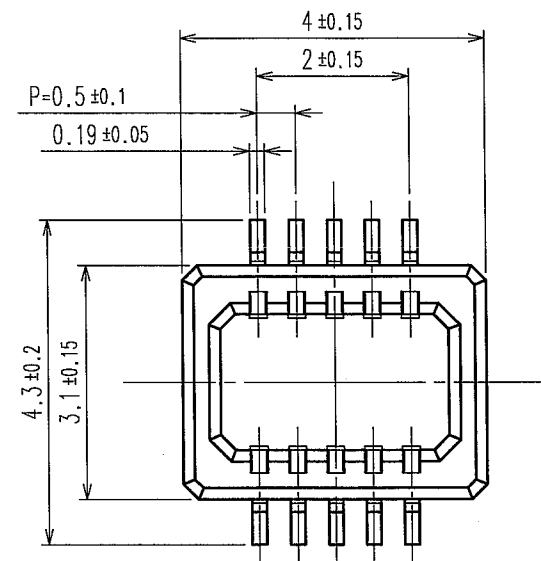


Fig.1 : RECOMMENDED PATTERN      Fig.2 : PLATING SPECIFICATION (40:1)

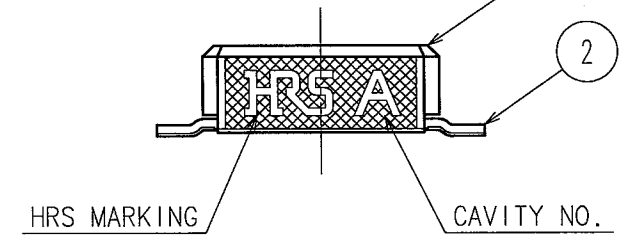
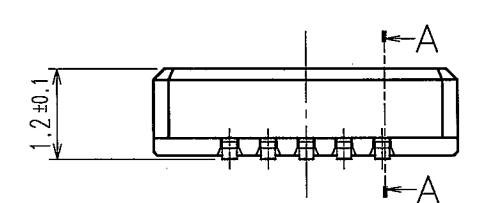
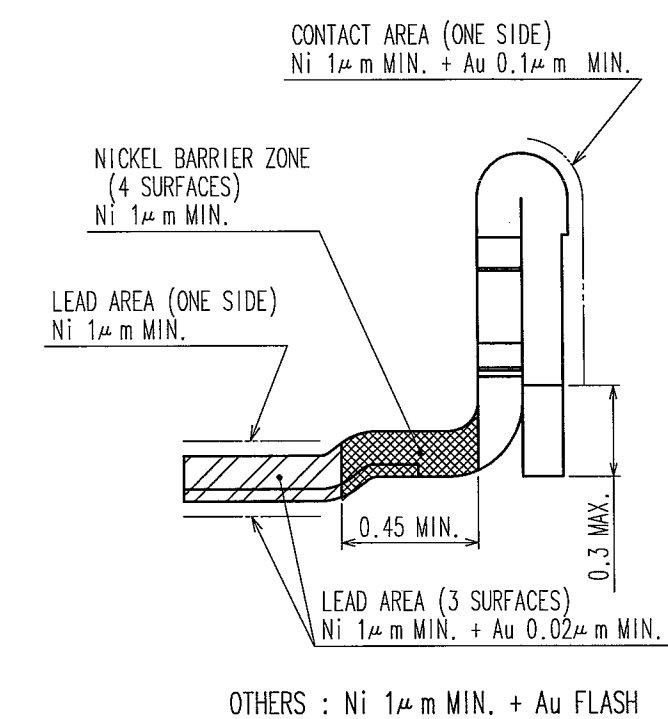
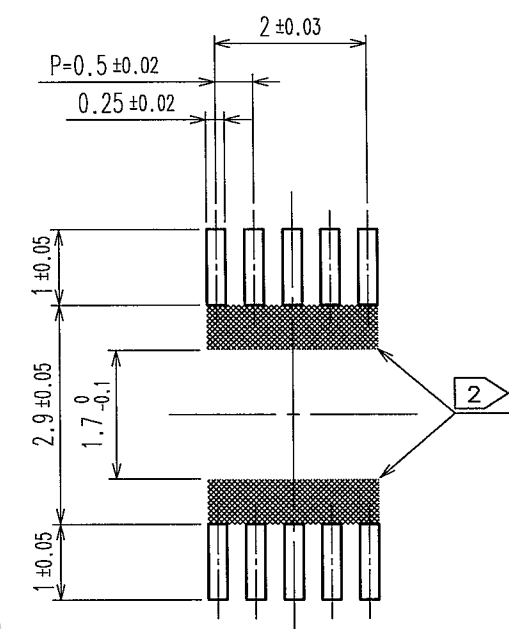
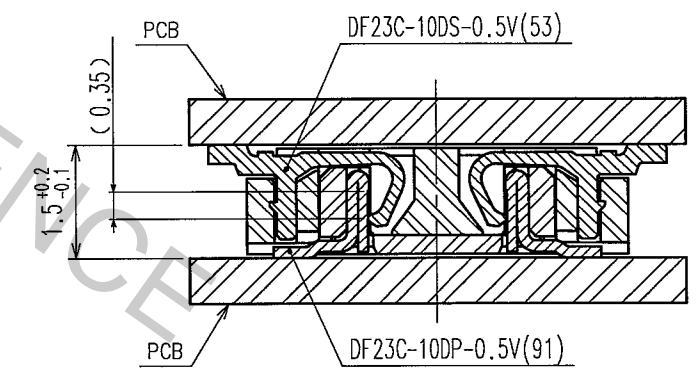
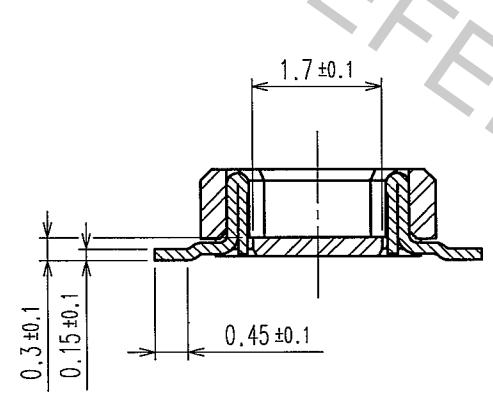


Fig.3 : A-A CROSS SECTION VIEW

Fig.4 : MATING VIEW



NOTES 1 LEAD CO-PLANARITY SHALL BE 0.1mm MAX.  
 2 WHEN A PART MARKED WITH ■■■■ HAS A PATTERN BUT NO RESIST ON IT, TAKE CARE TO PREVENT THE CONNECTOR FROM TOUCHING IT.

2	PHOSPHOR BRONZE	3	5	PS	BLACK(PLASTIC REEL)
1	LCP	BLACK,UL94V-0	4	POLYESTER	CLEAR
			3	PS	CLEAR
NO.	MATERIAL	FINISH, REMARKS	NO.	MATERIAL	FINISH, REMARKS

CODE NO. (OLD)	DRAWN	DESIGNED	CHECKED	APPROVED	RELEASED
	T.Yamamoto	T.Yamamoto	K.Akiyama	K.Akiyama	
	'03. 5. 8	'03. 5. 8	'03. 5. 8	'03. 5. 8	
DRAWING NO. EDC3-164008-11		PART NO. DF23C-10DP-0.5V(91)			
SCALE 10 : 1		UNITS mm		CODE NO. CL688-0806-1-91	
HRS HIROSE ELECTRIC CO., LTD				1/2	

Apr.1.2017 Copyright 2017 HIROSE ELECTRIC CO., LTD. All Rights Reserved.

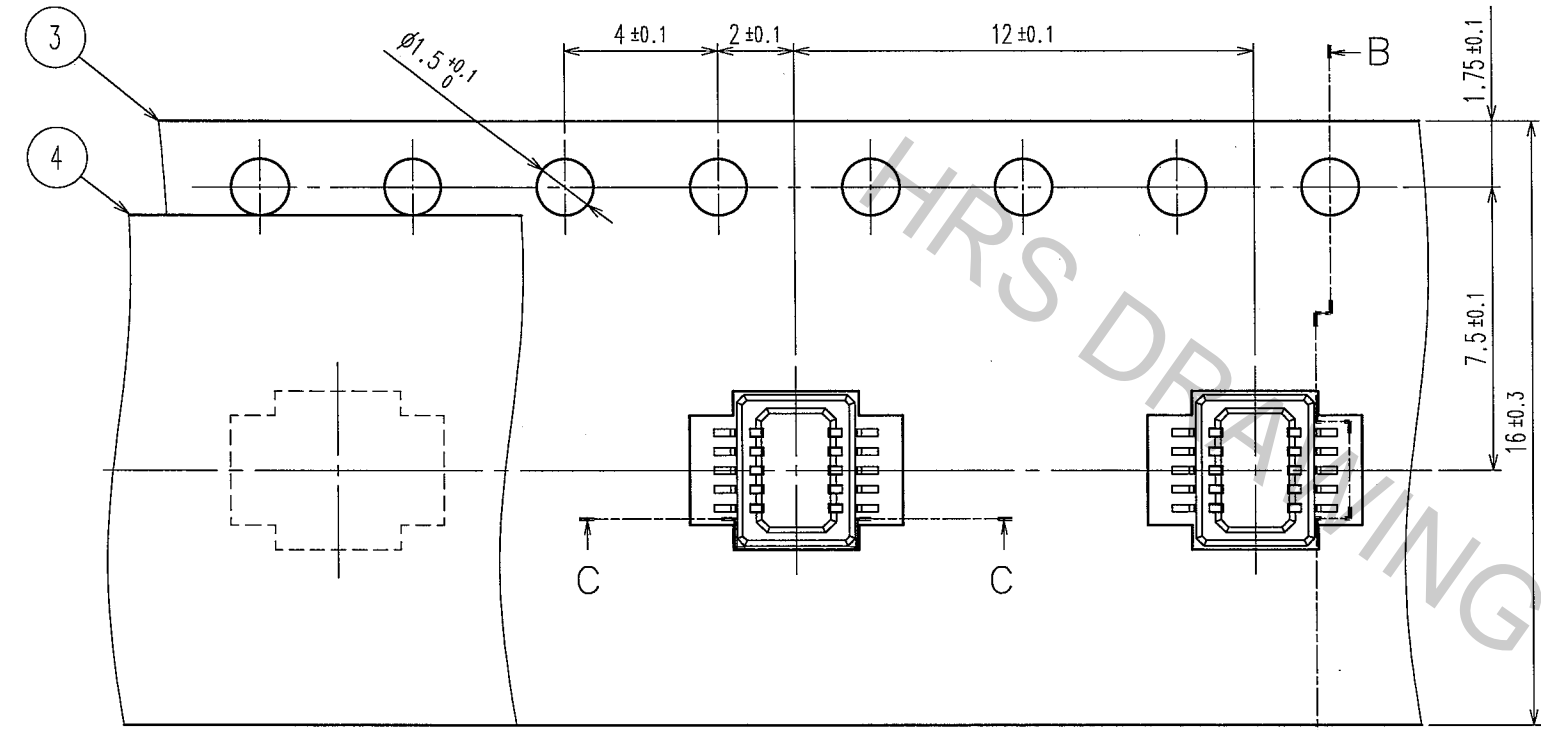
HRS DRAWING FOR REFERENCE ONLY

TO

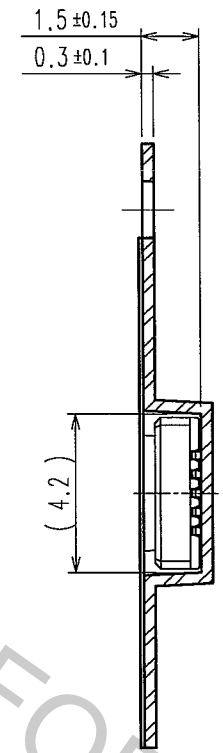
(1/2)

Apr.1.2017 Copyright 2017 HIROSE ELECTRIC CO., LTD. All Rights Reserved.

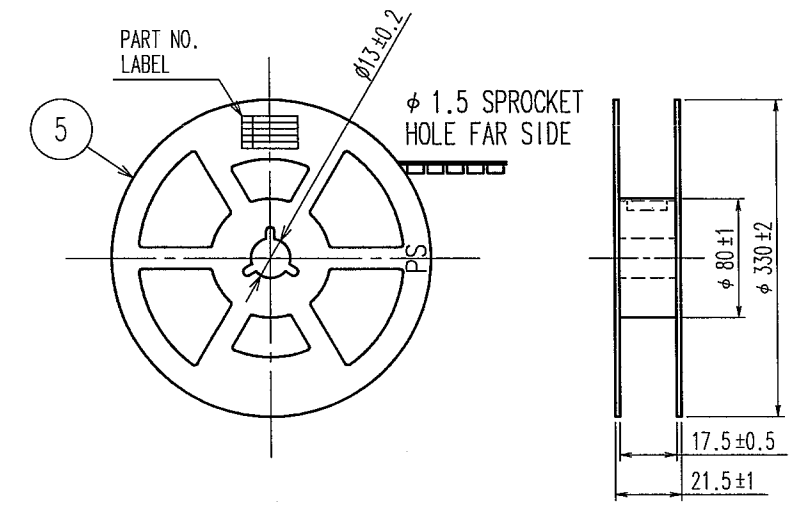
COUNT	DESCRIPTION OF REVISIONS	BY	CHKD	DATE	COUNT	DESCRIPTION OF REVISIONS	BY	CHKD	DATE



B-B



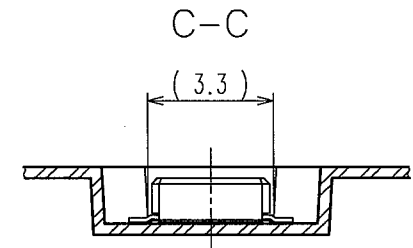
△ Fig.6 : REEL DIMENSIONS (FREE)



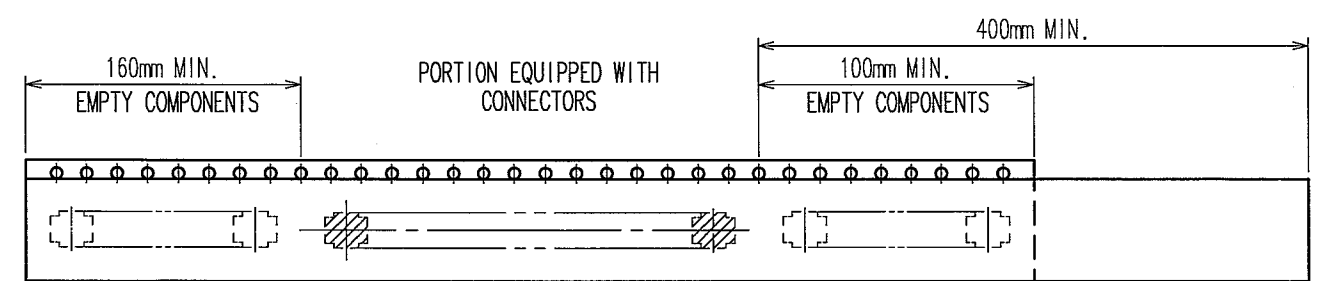
▷ 6 DETAIL OF PART NO. LABEL

DATE OF MANUFACTURED	** * * *
CODE NO.	CL688-0806-1-91
PART NO.	DF23C-10DP-0.5V(91)
QUANTITY	3000
SUPPLIER	HIROSE ELECTRIC CO.,LTD.

DIRECTION OF UNREELING →



- NOTES
- 3 PER REEL 3000 CONNECTORS
  - 4 THE DIMENSIONS IN PARENTHESES ARE FOR REFERENCE
  - ▷ 5 REFER TO JIS C 0806 (PACKAGING OF COMPONENTS FOR AUTOMATIC HANDLING)
  - ▷ 6 DETAIL OF PART NO. LABEL IS WRITTEN IN JAPANESE.



▷ 5 Fig.5 : TAPING

CODE NO. (OLD)	DRAWN	DESIGNED	CHECKED	APPROVED	RELEASED
	T.Yamamoto	T.Yamamoto	K.Akiyama	K.Akiyama	
	'03. 5. 8	'03. 5. 8	'03. 5. 8	'03. 5. 8	
DRAWING NO.	PART NO.				
EDC3-164008-11	DF23C-10DP-0.5V(91)				
SCALE	CODE NO.				
5 : 1	CL688-0806-1-91				
UNITS	HIROSE ELECTRIC CO., LTD				
mm					

TO