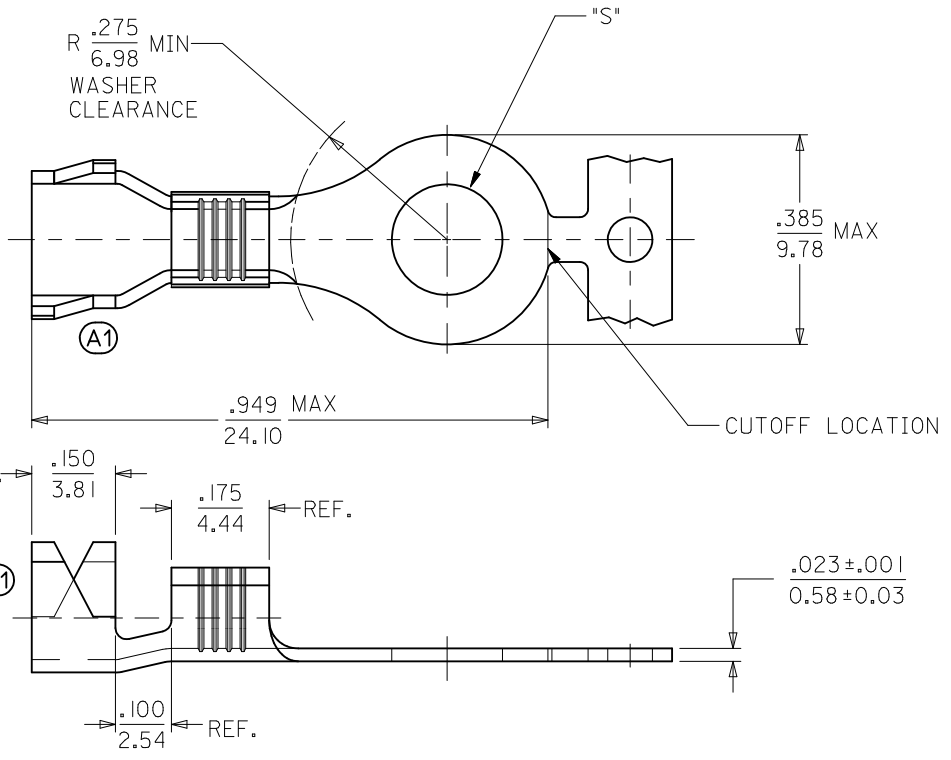


MATERIAL NUMBER	ENGINEERING NUMBER	STUD SIZE "S" ±.010/±.025	MATERIAL	PLATING
I90850001	I9085-0001	#6 = .146/(3.71)	BRASS	NONE
I90850002	I9085-0002	#8 = .173/(4.39)	BRASS	NONE
I90850003	I9085-0003	#10 = .198/(5.03)	BRASS	NONE
I90850004	RZ-4129-06	#6 = .146/(3.71)	BRASS	TIN
I90850005	RZ-4129-08	#8 = .173/(4.39)	BRASS	TIN
I90850006	RZ-4129-10	#10 = .198/(5.03)	BRASS	TIN
I90850007	RZ-S-4129-06	#6 = .146/(3.71)	STEEL	TIN
I90850008	RZ-S-4129-08	#8 = .173/(4.39)	STEEL	TIN
I90850009	RZ-S-4129-10	#10 = .198/(5.03)	STEEL	TIN



- NOTES:
1. MATERIAL: SEE CHART.
  2. PLATING: SEE CHART.
  3. WIRE RANGE: 18-14 AWG/1.3-2.6 MM.<sup>2</sup>
  4. PARTS ARE ROHS COMPLIANT.

(A1)

SALES DRAWING

CORRECT INSUL GRIP EC NO: WNA2012-0119 DRAWN: THRODAHL 2011/08/02 CHKD: JMACNEIL 2011/08/02 APPR: JMACNEIL 2011/09/12	QUALITY SYMBOLS	GENERAL TOLERANCES (UNLESS SPECIFIED)	DIMENSION STYLE	SCALE	DESIGN UNITS	THIRD ANGLE PROJECTION
	▽=0	mm INCH	IN/MM	---	INCH	
	▽=0	4 PLACES ± --- ± ---	DRAWN BY DATE	BRE 2002/02/04	TITLE	
		3 PLACES ± --- ± ---	CHECKED BY DATE	HEB 2002/02/04	VIBRAKRIMP STRIP RING TONGUE TERMINAL 18-14 AWG	
	2 PLACES ± --- ± ---	APPROVED BY DATE		MATERIAL NO. SEE CHART		DOCUMENT NO. SD-19085-002
	1 PLACE ± --- ± ---			MATERIAL NO. SEE CHART		SHEET NO. 1 OF 1
	ANGULAR ± ---°	DRAFT WHERE APPLICABLE MUST REMAIN WITHIN DIMENSIONS	THIS DRAWING CONTAINS INFORMATION THAT IS PROPRIETARY TO MOLEX INCORPORATED AND SHOULD NOT BE USED WITHOUT WRITTEN PERMISSION			