

THIS DRAWING IS UNPUBLISHED. VERTRÄGLICHE UNVERÖFFENTLICHTE ZEICHNUNG. RELEASED FOR PUBLICATION FREI FÜR VERÖFFENTLICHUNG. 2014. DATED WITHIN PASSEND ZU. COPYRIGHT 2014. Tyco Electronics AMP GmbH. ALL RIGHTS RESERVED. ALLE RECHTE VORBEHALTEN.

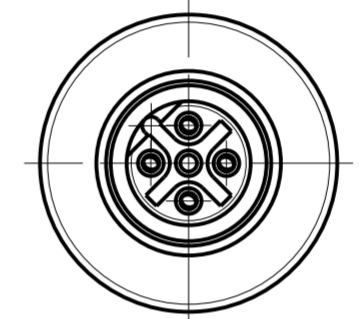
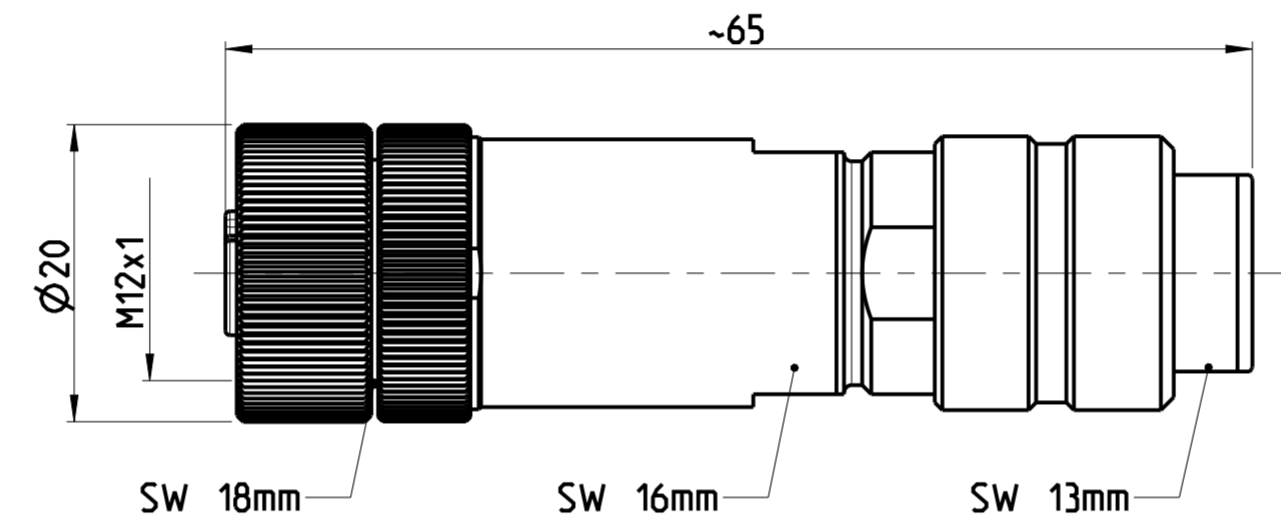
PROJECT NO.: PRJ-14-00000805

REVISIONS		DATE	DWN	APVD
ÄNDERUNGEN				
P	LTR	DESCRIPTION		
		BESCHREIBUNG		
	A3	DESCRIPTION CORRECTED FROM SOLDER TO SCREW TERMINAL IN TITLE BLOCK	14NOV2014	CR JK

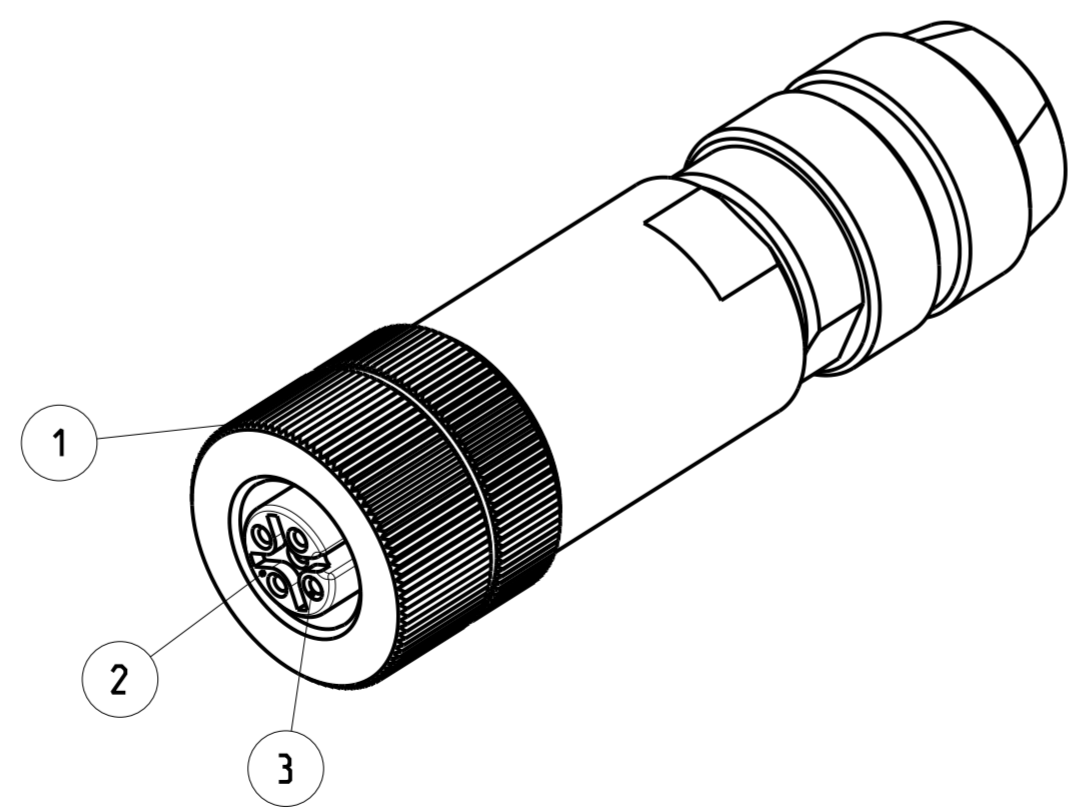
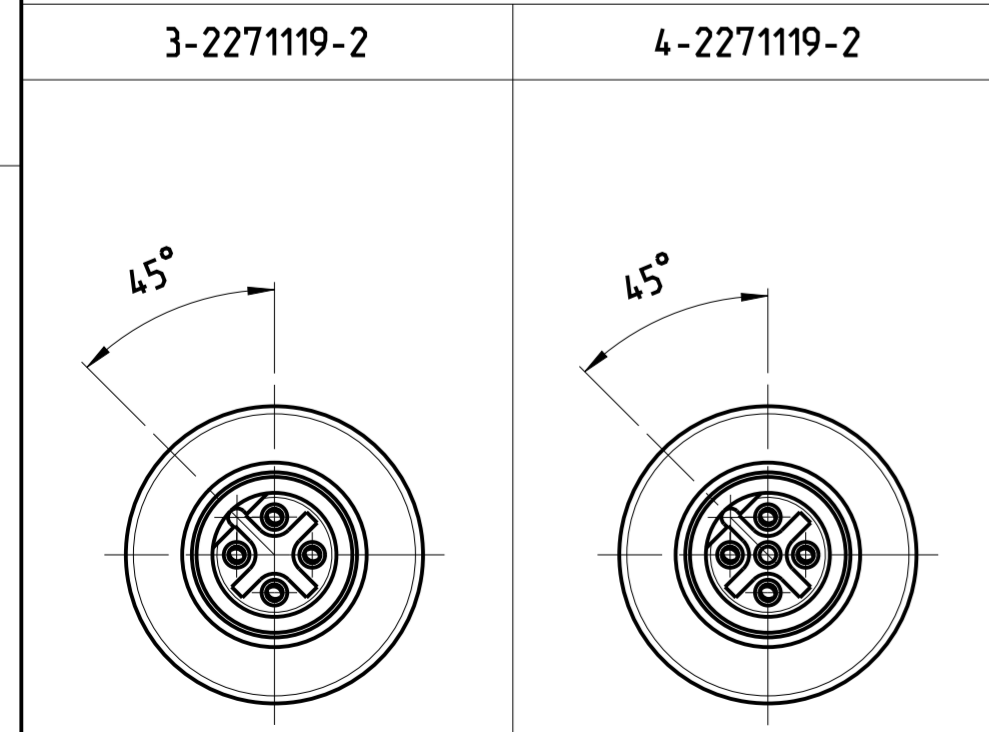
- ⚠ MATERIAL: ITEM NO. 1: HOUSING - ZINC DIECASTING, NICKEL PLATED
 ITEM NO. 2: CONTACT BODY - PA
 ITEM NO. 3: CONTACT - CuZn (brass)
 CONTACT FINISH - Au (gold)

- 2 ALL DIMENSIONS ARE FOR NOMINAL REFERENCE ONLY UNLESS OTHERWISE STATED
 3 MEASUREMENT REFERENCE ONLY
 4 PACKAGING: 1 PIECE IN A BAG

TECHNICAL DATA	3-2271119-2	4-2271119-2
RATED VOLTAGE	250V	125V
RATED IMPULSE VOLTAGE	2500V	1500V
POLLUTION DEGREE	3	3
OVERVOLTAGE CATEGORY	II	II
MATERIAL GROUP	II	II
RATED CURRENT	4A	4A
VOLUME RESISTIVITY	≤3mΩ	≤3mΩ
DEGREE OF PROTECTION	IP67	IP67
UPPER TEMPERATURE	+85 °C	+85 °C
LOWER TEMPERATURE	-40 °C	-40 °C



PIN ARRANGEMENT B-CODING (SCALE 2:1)



3--2 AS SHOWN WIE GEZEICHNET

5-8	18 / 0.75mm ²	⚠	5	4-2271119-2
5-8	18 / 0.75mm ²	⚠	4	3-2271119-2
CABLE FEED-THROUGH mm	WIRES AWG / mm ²	MATERIAL	NUMBER OF POLES	TE-PART-NO.

DIESE ZEICHNUNG IST EIN KONTROLLIERTES DOKUMENT. BEMASSUNGEN UND TOLERANZEN GEMAESS GPS (ISO STANDARDS). THIS DRAWING IS A CONTROLLED DOCUMENT. DIMENSIONING AND TOLERANCING PER GPS (ISO STANDARDS).

DIMENSIONS: MASSE/MASSSTAB: (mm)	TOLERANCES UNLESS OTHERWISE SPECIFIED: ALLGEMEINTOLERANZEN	DWN YASHKUMAR 21MAY2014	TE Connectivity
MATERIAL	ANGLES/WINKEL	CHK M.STRELOW 21MAY2014	
	FINISH/OBERFLÄCHE/FARBE	APVD C.SCHREITLINGER 21MAY2014	
		NAME M12 RECEPTACLE, STRAIGHT, FIELD INSTALLABLE, SHIELDED CONNECTOR, SCREW TERMINALS, B-CODING	
		PRODUCT SPEC 108-19483	SIZE A2
		APPLICATION SPEC 114-32127	CAGE CODE 00779
		WEIGHT	DRAWING NO. C-2271119
		Customer Drawing	RESTRICTED TO MUR FÜR
		/KUNDENZEICHNUNG	SCALE MASSSTAB 2:1
			SHEET BLATT 1 OF 1
			REV A3

SIZE ISO 14405 (E)