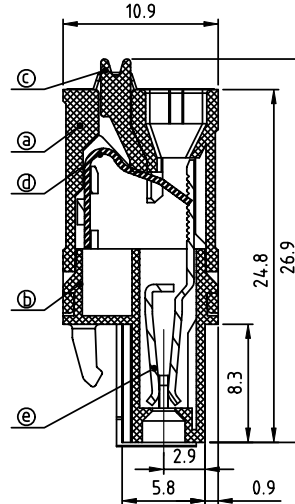
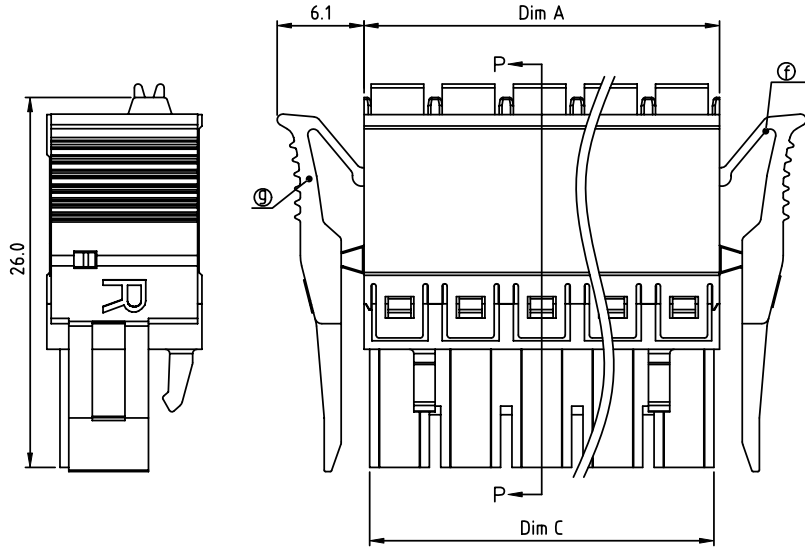
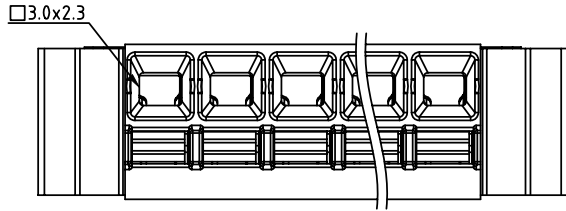
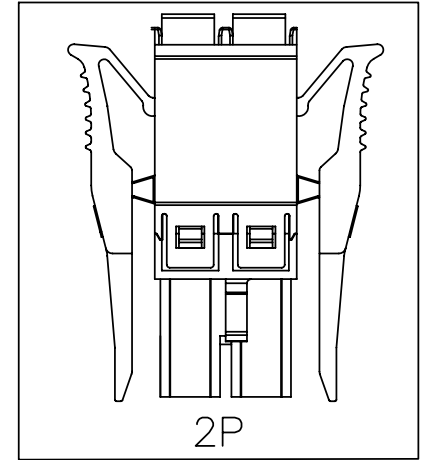


PRODUCT NUMBER	PITCH
KDxx70x200J0G	5.00 mm

Dim A=N×5.0	
Dim B=(N-1)×5.0	
Dim C=(N-1)×5.0+4.2	
N=Number of poles	
POLES	Tolerance
2p-6p	±0.15
7p-12p	±0.25
13p-18p	±0.35
19p-24p	±0.40

PART NO.: KD xx 7 0 x 2 00J0 G

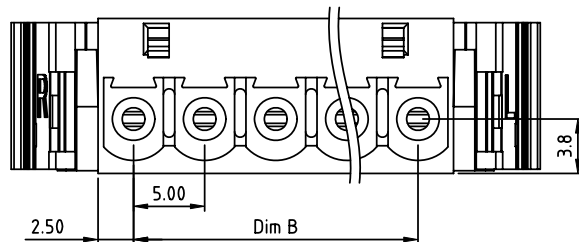
Solid block	0	Color	0 Black (RAL9005)	RoHS compliant	(lead<4%)
No. of poles	2		2 Red (RAL3001/D)	In copper Alloy	
02	2 poles		3 Orange(RAL2011/P)		
03	3 poles		4 Yellow(RAL1018/A)		
...	...		5 Green(RAL6018/T)		
24	24 poles		6 Blue (RAL5015/A)		
			8 Grey(RAL7035/D)		
			9 White(RAL1102)		
			C Green(RAL6018/U)		



SECTION P-P

- Material:
- Item ① Top body: Thermoplastic (UL94V-0)
 - Item ② Bottom body: Thermoplastic (UL94V-0)
 - Item ③ Terminal Lever: Thermoplastic (UL94V-0) Orange (RAL2001/P)
 - Item ④ Spring clamp: Stainless steel
 - Item ⑤ Female contact: PhBz Tin Plated
 - Item ⑥ Terminal (Left latch): Thermoplastic (UL94V-0)
 - Item ⑦ Terminal (Right latch): Thermoplastic (UL94V-0)

- Electrical:
- Voltage rating: 300 V
 - Current rating: 12 A
 - Wire range:
 - Solid wire(AWG): 14-24
 - Stranded wire(AWG): 14-24
 - Wire strip length: 11-12 mm
 - Withstanding Voltage: 1.6 KV
 - Operating temperature: -40°C to +115°C
 - Safety Approval:



mat'l. code		surface	tolerance	projection	product family	
ltr ecn no dr date		ASME Y14.5 ✓	ASME Y14.5		TERMINAL BLOCK	
		tolerances unless otherwise specified		MM	title	
		angles	X.±0.5	scale	TERMINAL BLOCK	
		line	X.X±0.3		SPRING CLAMP, PLUGGABLE PLUG, WITH LATCH	
		X°±1°	X.XX±0.1		dwg no	
		dr	EVIN ZHONG 052014		sheet 1 of 1 size	
		enr	EVIN ZHONG 052014		KDxx70x200J0G	A4
		chr	HANKE FENG 052014		type	CUSTOMER Drawing
		appd	SHI JUN 052014			
sheet index	revision	A				
	sheet	1				