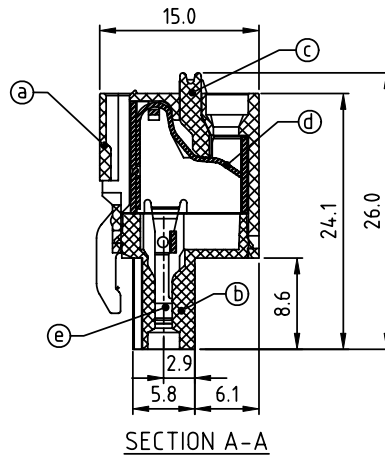
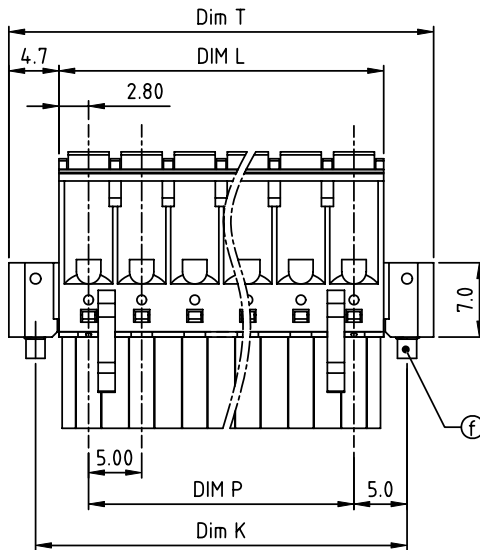
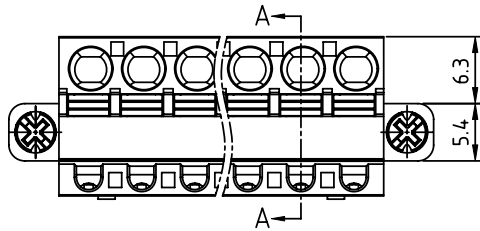


PRODUCT NUMBER	PITCH
HWxx70x300J0G	5.00 mm



Material:

- Ltem(a) Top body: Thermoplastic (UL94V-0)
- Ltem(b) Bottom body: Thermoplastic (UL94V-0)
- Ltem(c) Terminal lever : Thermoplastic (UL94V-0), Orange (RAL2001/P)
- Ltem(d) Spring clamp: Stainless Steel
- Ltem(e) Female contact: PhBz (CuSn) Tin plated
- Ltem(f) Flange screw: Steel "+/-" combination type Zinc plating M2.5

Electrical

- Voltage rating: 300V
- Current rating: 10A
- Solid wire(AWG): 12-26
- Stranded wire(AWG): 12-26
- Wire strip length: 9-10mm
- Withstanding Voltage: 1.6KV
- Operating temperature: -40°C to +115°C
- Safety Approval: cULus

N = Number of poles

Dim L=Nx5.0+ 0.6

Dim P=(N-1)x5.0

Dim T=Nx5.0+10.62

Dim K=(N+1)x5.0

Poles	Dim L	Dim P	Dim T	Dim K
2-6p	±0.15		±0.15	
7-12p	±0.20		±0.25	
13-18p	±0.25		±0.30	
19-24p	±0.30		±0.40	

PART NO.: HW xx 7 0 x 3 00J 0 G

- Solid block
- No. of poles
- Color
- RoHS compliant (lead<4% In copper Alloy)
- 0 Black (RAL9005)
- 2 Red (RAL3001/D)
- 3 Orange(RAL2011/P)
- 4 Yellow(RAL1018/A)
- 5 Green(RAL6018/T)
- 6 Blue (RAL5015/A)
- 8 Grey(RAL7035/D)
- 9 White(RAL1102)
- C Green(RAL6018/U)

mat'l. code		surface ASME Y14.5 ✓	tolerance ASME Y14.5	projection MM	product family TERMINAL BLOCK
ltr	ecn no	dr	date	tolerances unless otherwise specified	title TERMINAL BLOCK SPRING CLAMP, PLUGGABLE PLUG, WITH FLANGE CONTACT ON UP SIDE
				angles X.±0.5 X.X±0.3 X.XX±0.1	scale
		dr	EVIN ZHONG	051514	dwg no HWxx70x300J0G
		enr	EVIN ZHONG	051514	sheet 1 of 1
		chr	HANKE FENG	051514	size A4
		appd	SHI JUN	051514	type CUSTOMER Drawing
sheet index	revision	A			
	sheet	1			