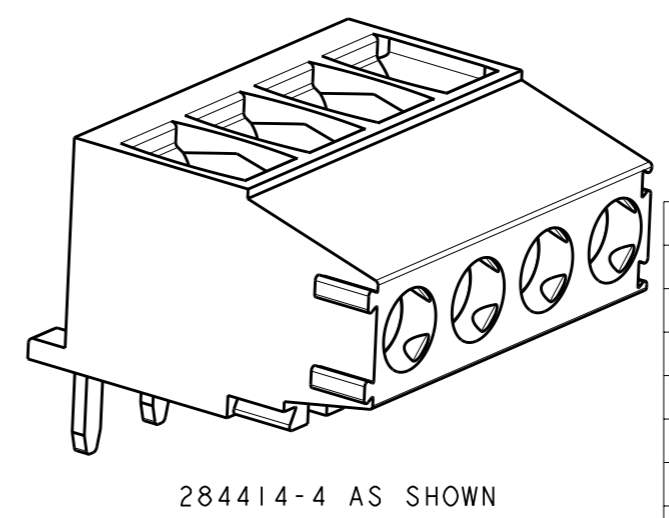
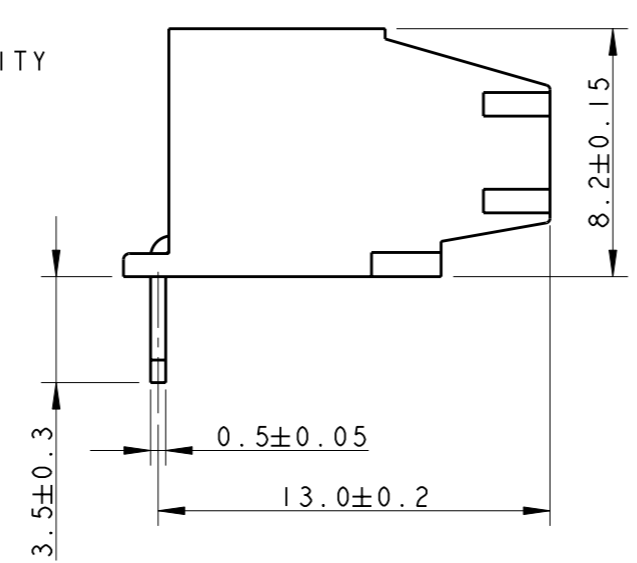
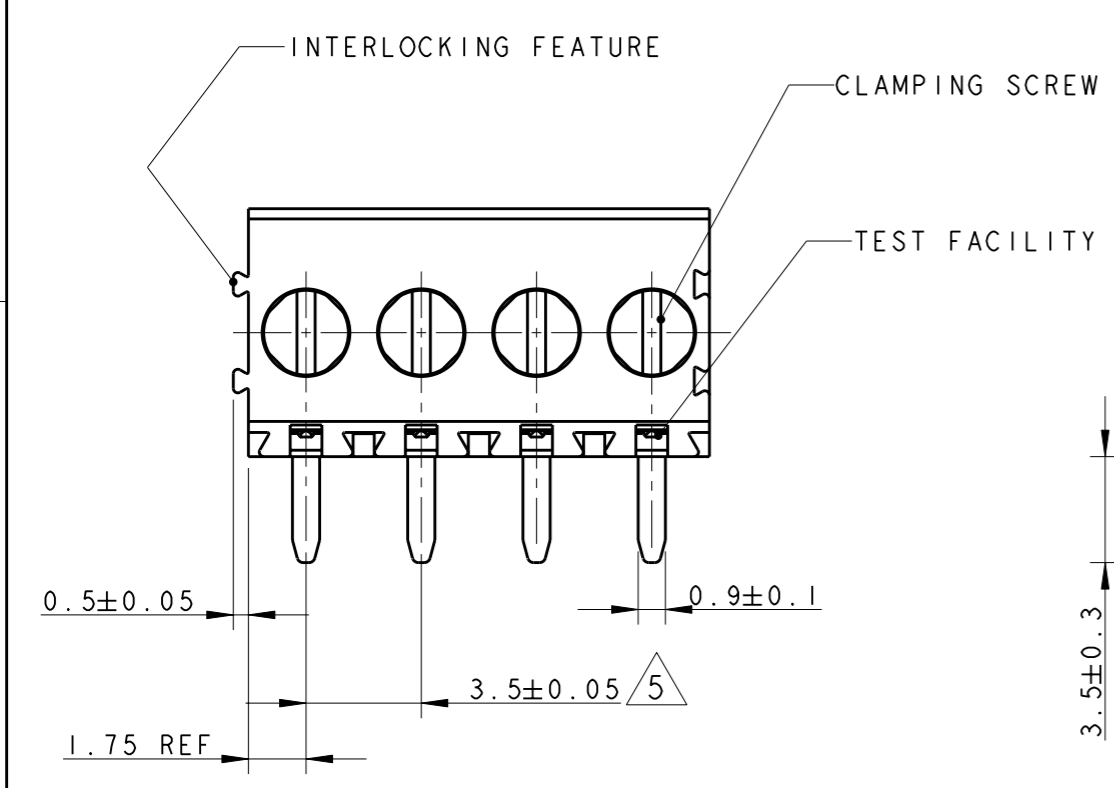
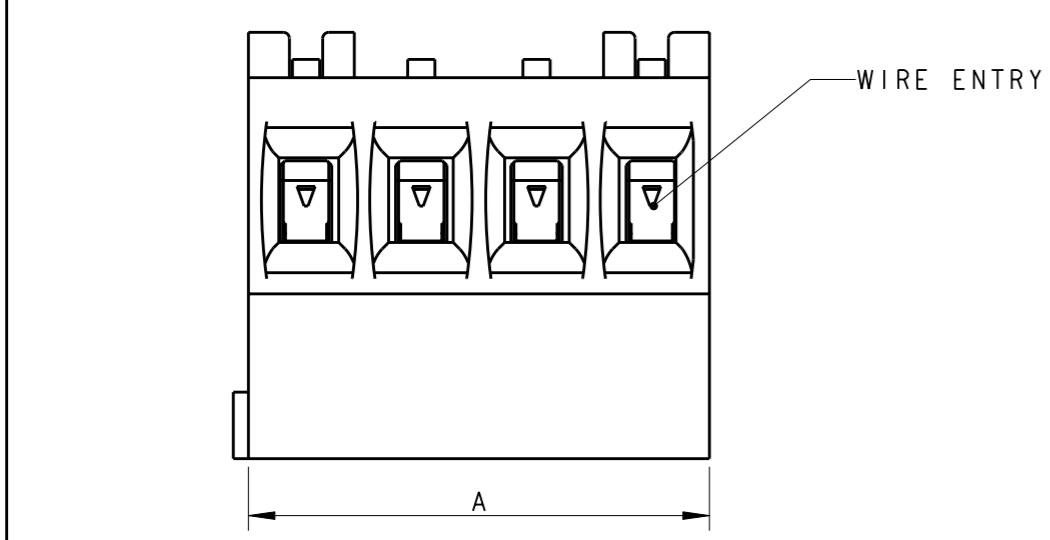


THIS DRAWING IS UNPUBLISHED. RELEASED FOR PUBLICATION 20
 © COPYRIGHT 20 ALL RIGHTS RESERVED.

| LOC | DIST | REVISIONS | | | |
|-----|------|-------------|---------------------------|---------|-------|
| P | LTR | DESCRIPTION | DATE | DWN | APVD |
| FT | 0 | B1 | REVISED PER ECO-12-001398 | 23JAN12 | KH MS |

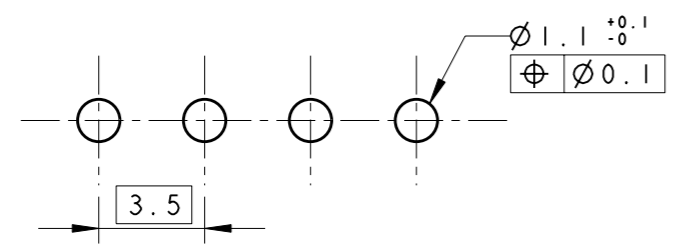


| | | |
|---------|-----------|-------------|
| 87.5 | 25 | 2-284414-5 |
| 84.0 | 24 | 2-284414-4 |
| 80.5 | 23 | 2-284414-3 |
| 77.0 | 22 | 2-284414-2 |
| 73.5 | 21 | 2-284414-1 |
| 70.0 | 20 | 2-284414-0 |
| 66.5 | 19 | 1-284414-9 |
| 63.0 | 18 | 1-284414-8 |
| 59.5 | 17 | 1-284414-7 |
| 56.0 | 16 | 1-284414-6 |
| 52.5 | 15 | 1-284414-5 |
| 49.0 | 14 | 1-284414-4 |
| 45.5 | 13 | 1-284414-3 |
| 42.0 | 12 | 1-284414-2 |
| 38.5 | 11 | 1-284414-1 |
| 35.0 | 10 | 1-284414-0 |
| 31.5 | 9 | 284414-9 |
| 28.0 | 8 | 284414-8 |
| 24.5 | 7 | 284414-7 |
| 21.0 | 6 | 284414-6 |
| 17.5 | 5 | 284414-5 |
| 14.0 | 4 | 284414-4 |
| 10.5 | 3 | 284414-3 |
| 7.0 | 2 | 284414-2 |
| DIM "A" | NO OF POS | PART NUMBER |



- 1 MATERIALS AND FINISH
 HOUSING : PA 6.6, UL 94-V0, COLOR GREEN.
 CLAMP : BRASS, NICKEL PLATED
 TERMINAL : BRASS, TIN PLATED
 CLAMPING SCREW : M2, BRASS, NICKEL PLATED
- 2 SUITABLE FOR 1.6-2.4 mm. PC BOARD THICKNESS.
- 3 END-TO-END STACKABLE W/INTERLOCK WITHOUT LOSS OF CENTERLINE SPACING
- 4 WIRE SIZE RANGE
 12 - 30 AWG
- 5 NOT CUMULATIVE TOLERANCE

RECOMMENDED PCB BOARD LAYOUT



| | | | | |
|---|--|--------------------------------|---|------------|
| THIS DRAWING IS A CONTROLLED DOCUMENT. | | DWN 01FEB2002 E. ZANOLINI | TE Connectivity | |
| DIMENSIONS: mm | | CHK 01FEB2002 E. ZANOLINI | | |
| TOLERANCES UNLESS OTHERWISE SPECIFIED: | | APVD 01FEB2002 D. BIEVENOUR | NAME TERMINAL BLOCK PCB MOUNT, 90° TOP ENTRY WIRE, STACKING W/INTERLOCK, 3.5mm PITCH | |
| 0 PLC ±.3 1 PLC ±.3 2 PLC ±.25 3 PLC ±. 4 PLC ±. ANGLES ±2 | | PRODUCT SPEC 108-20166 | SIZE A300779 | |
| MATERIAL | | APPLICATION SPEC 114-20079 | DRAWING NO C-284414 | |
| FINISH | | WEIGHT - | RESTRICTED TO - | |
| CUSTOMER DRAWING | | SCALE 4:1 | | SHEET 1 |
| | | | | OF 1 |
| | | | | REV B1 |