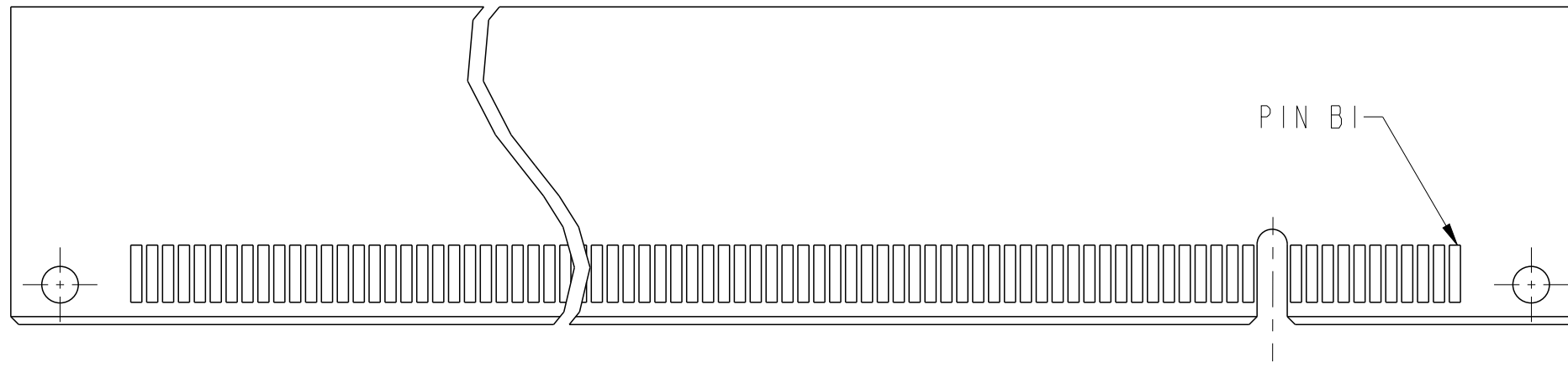
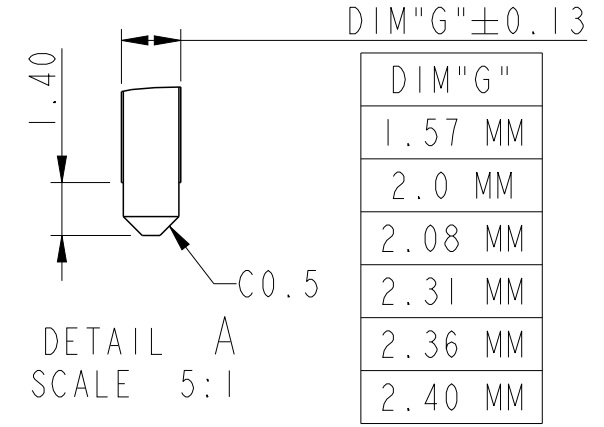
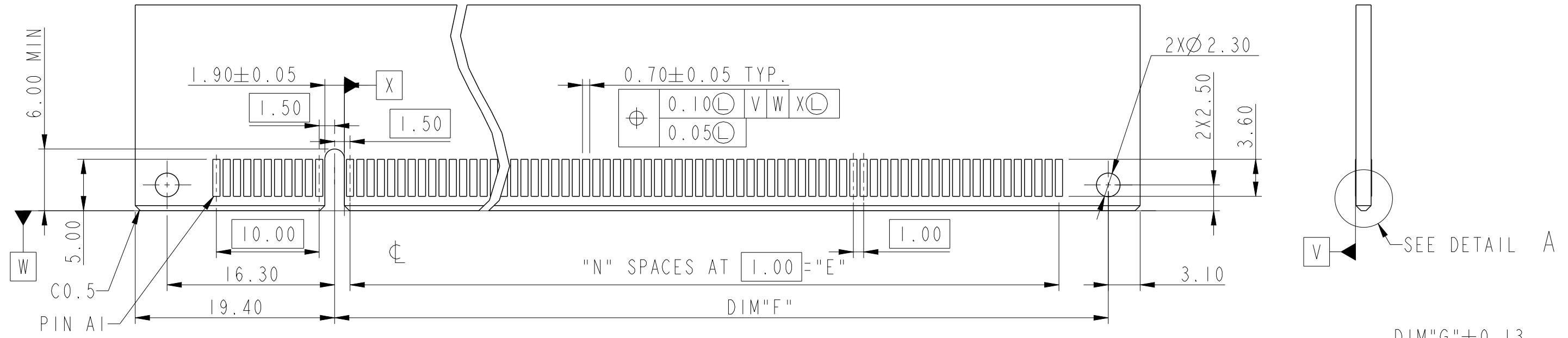


CONNECTOR LINK WIDTH	#POS REF	N	DIM"A"	DIM"B"	DIM"C"	DIM"D"	DIM"E"
X1	36	6	7.65	25.00	12.30	34.8	6.00
X4	64	20	21.65	39.00	26.30	48.8	20.00
X8	98	37	38.65	56.00	43.30	65.8	37.00
X16	164	70	71.65	89.00	76.30	98.8	70.00

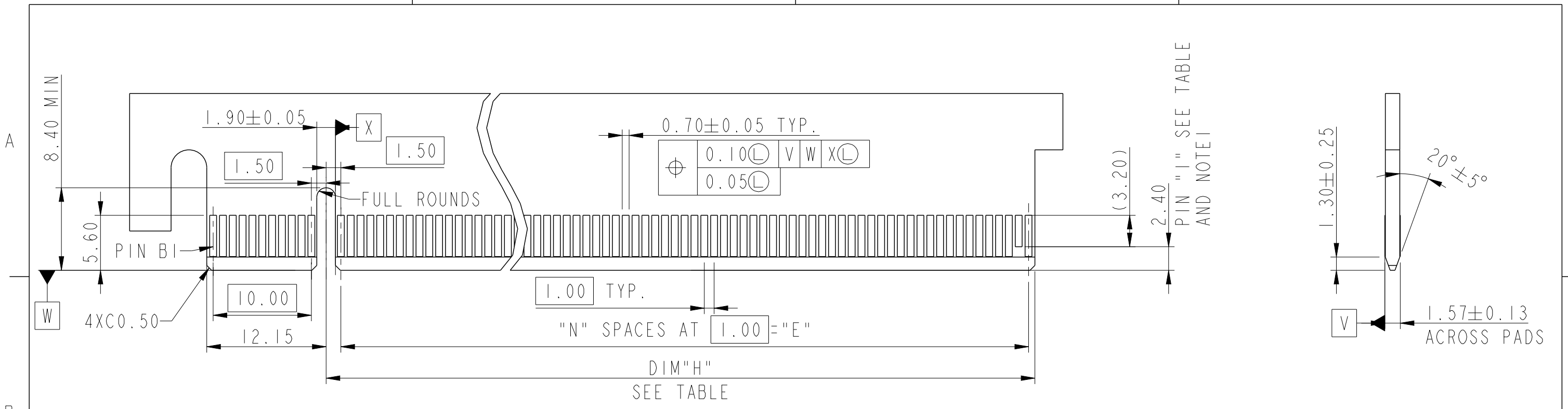
spec ref	dr	Eric Jiang	2014/07/20	projection	MM	size	A3	scale	2:1	
tolerance std	eng	Zhen-Hua Liu	2018/07/09			ecn no	ELX-DG-30553-1	rel level	Released	
ASME Y14.5	chr	-	app							Nickor Zuo
surface	linear	0.X	±0.30	Amphenol FCI			dwg no	10125756	rev	B
ASME Y14.5	angular	0°	±2°	PCI EXPRESS 3.0 STRADDLE MOUNT			cat. no.	Product-Customer Drw	sheet 1 of 4	



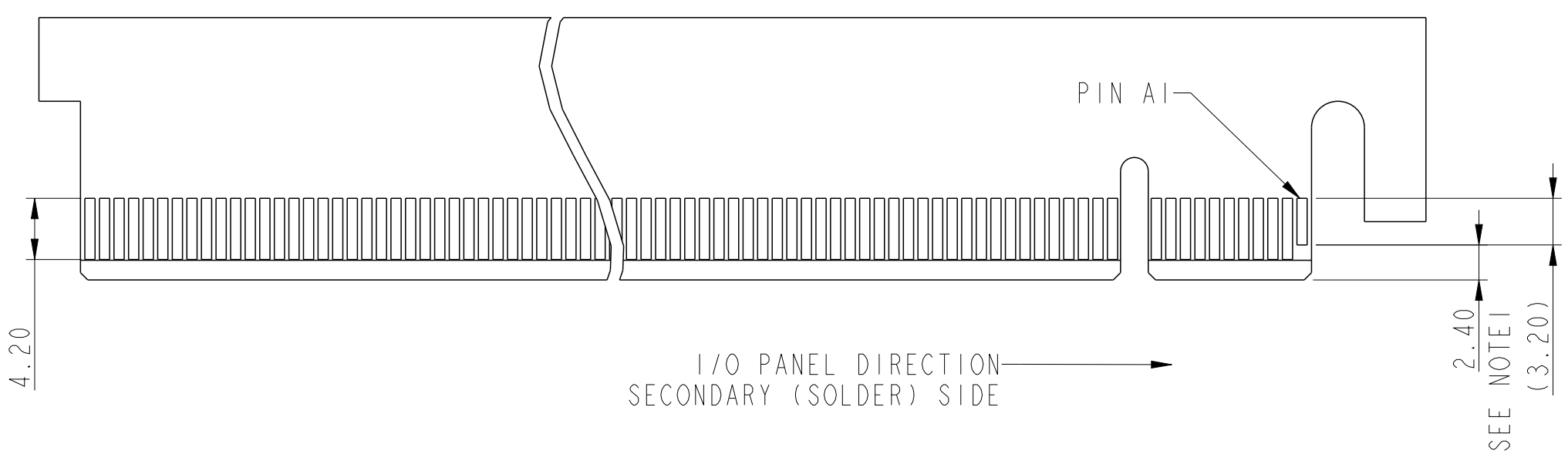
RECOMMENDED PCB LAYOUT

POSITION	N	DIM"F"
36	6	12.30
64	20	26.30
98	37	43.30
164	70	76.30

spec ref	dr	Eric Jiang	2014/07/20	projection	MM	size	A3	scale	2:1
tolerance std	eng	Zhen-Hua Liu	2018/07/09			ecn no	ELX-DG-30553-1	rel level	Released
ASME Y14.5	chr	-	-						
surface linear ASME Y14.5 angular	TOLERANCES UNLESS OTHERWISE SPECIFIED 0.X ±0.30 0.XX ±0.20 0.XXX ±0.1	appr	Nickor Zuo	2018/07/11	product family	PCI EXPRESS 3.0 STRADDLE MOUNT	dwg no 10125756	rev B	
		www.fci.com		cat. no.	Product-Customer Drw				sheet 2 of 4



1. NO TIE BAR PERMITTED FROM CARD EDGE TO LEADING EDGE OF PAD FOR PINS A1 AND PIN "1".
2. CHAMFER EDGES MUST BE FREE OF CUTTING BURRS.
3. TOLERANCE : ± 0.13



spec ref	dr	Eric Jiang	2014/07/20	projection	MM	size	A3	scale	2:1
tolerance std	eng	Zhen-Hua Liu	2018/07/09			ecn no	ELX-DG-30553-1	rel level	Released
ASME Y14.5	chr	-	-						
surface		linear	0.X	±		title PCI EXPRESS 3.0 STRADDLE MOUNT	dwg no 10125756	rev B	
		ASME Y14.5	angular	0°					±°

NOTES:

- MATERIAL:
HOUSING: HIGH PERFORMANCE RESINS, BLACK.
CAP: HIGH PERFORMANCE RESINS, BLACK.
CONTACT: COPPER ALLOY.
- PLATING:
UNDERPLATE: 50 u" MIN NICKEL OVER ALL
SOLDER AREA: 100 u" MIN TIN(LEAD FREE)
MATING AREA: SEE PRODUCT PART NUMBER.
- PRODUCT SPECIFICATION: GS-12-1193
- PACKAGE SPECIFICATION: GS-14-2401.
- PRODUCT MEETS EUROPEAN UNION DIRECTIVES AND OTHER COUNTRY REGULATIONS AS DESCRIBED IN GS-22-008.
- ONLY P/N 10125756-XXXX10XX CAN GO IR REFLOW PROCESS.
- DATE CODE BE PRINTED ON PROPER SURFACE.

PRODUCT PART NUMBER:

10125756- X X X X X X X X

NO. OF POSITION
36:36 POSITIONS
64:64 POSITIONS
98:98 POSITIONS
A4:164 POSITIONS

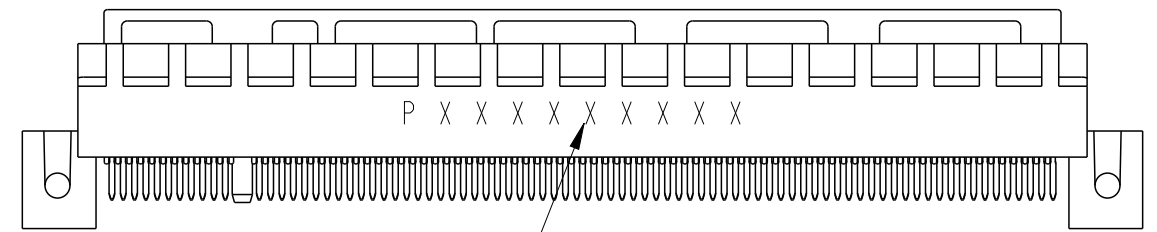
PCB THICKNESS OPTION
0:1.57 MM
1:2.0/2.08 MM
2:2.31/2.36/2.4 MM
3:1.57 MM(SOLDER TAIL GAP=(1.35MM))

LEAD FREE OPTION
LF:LEAD FREE

RESERVE
0

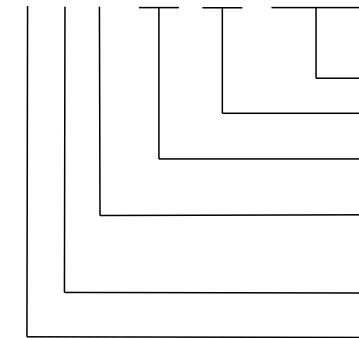
CAP OPTION (SEE NOTE 6)
0:WITHOUT CAP
1:CAP

CONTACT PLATING
0:15 u" Au
1:30 u" Au
2:15 u" GXT



DATA CODE INFORMATION

P X X X X X X X X X



PRODUCTION LINE CODE
DATE CODE THROUGH 01 TO 31
WEEK NUMBER 01 THROUGH 53
YEAR CODE; MOST RIGHT OF DIGIT OF PRODUCTION. (e.g 2007=7)
MANUFACTURE SITE; 2 FOR DONGGUAN SOURCE, P FOR CHINA

Amphenol
FCi

© 2016 AFCI

spec ref		dr	Eric Jiang	2014/07/20	projection	MM	size	A3	scale	2:1			
tolerance std		eng	Zhen-Hua Liu	2018/07/09			ecn no		ELX-DG-30553-1				
ASME Y14.5		chr	-	-			rel level		Released				
surface		appr	Nickor Zuo	2018/07/11	product family			PCI EXPRESS 3.0		dwg no	10125756	rev	B
ASME Y14.5		TOLERANCES UNLESS OTHERWISE SPECIFIED		www.fci.com		STRADDLE MOUNT		Product-Customer Drw		sheet 4 of 4			
		linear	0.X	±0.30									
			0.XX	±0.20									
			0.XXX	±0.1									
		angular	0°	±2°									