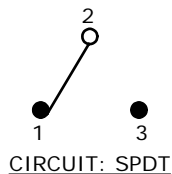
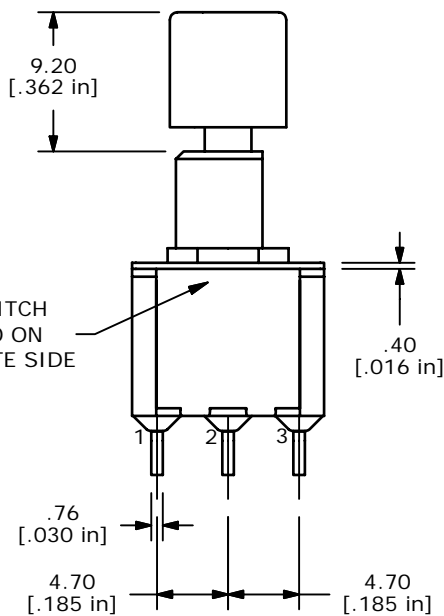
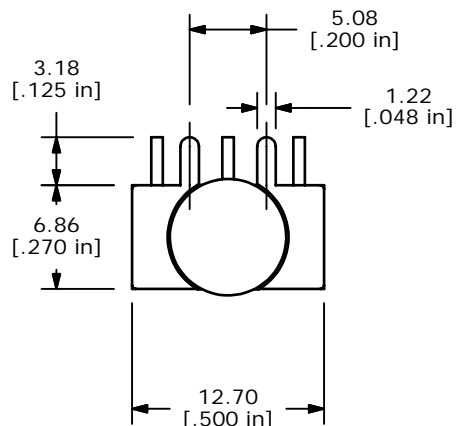


P.C. MOUNTING

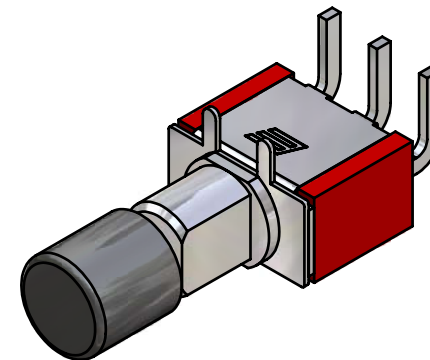


SWITCH FUNCTION	
POS. 1	POS. 2
ON	(ON)
1-3	1-2

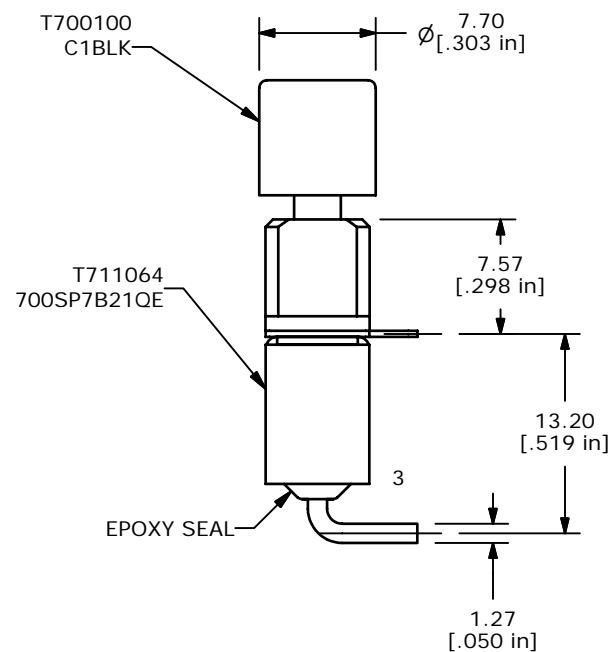
(ON) = MOMENTARY



E-SWITCH
LOGO ON
OPPOSITE SIDE



ISOMETRIC



NOTE:

1. ALL DIMENSIONS IN MM [INCH]
2. GENERAL TOLERANCE: X.X=±0.4
X.XX=±0.25
3. TERMINAL NUMBERS FOR REF ONLY
- ▲ 4. PLATING MATERIAL: SILVER
5. RATING: 1 AMP @ 250 VAC
3 AMP @ 120 VAC OR 28VDC
6. ELECTRIC LIFE: 50,000 MAKE-AND-BREAK CYCLES AT FULL LOAD.
7. INSULATION RESISTANCE: 1,000 MEGA-OHM MIN.
8. DIELECTRIC STRENGTH: 1,000 V RMS @SEA LEVEL.
9. OPERATING TEMP.: -30°C to 85°C
10. ▲ DENOTES CRITICAL PARAMETER.
11. 2002/95/EC (ROHS) COMPLIANT



B	15897	DIM FROM 8.66 TO 9.20	3/24/06	PH
A	15783	RELEASED FOR PRODUCTION	2/17/06	PH
REV	PCR NO	DESCRIPTION	DATE	BY

TITLE 700SP7B21M6QEC1BLK				
SCALE 2:1	DATE 2/17/2006	DR PH	DWG XT0132P	REV B

THE INFORMATION CONTAINED IN THIS DOCUMENT IS PROPRIETARY TO E-SWITCH AND IS NOT TO BE COPIED OR TRANSFERRED