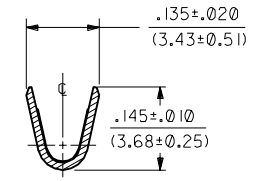
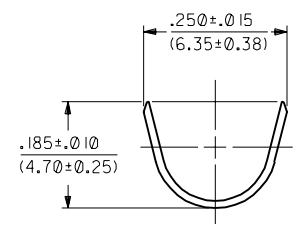
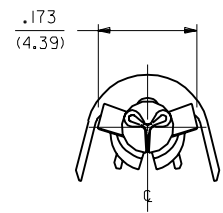


PART NO.	ENG. NO.	
02-09-2170	42138-(P90)I	
02-09-2171	42138-(P90)IL	
02-09-2172	42138-(P90)I	OBSOLETE
02-09-2173	42138-(P90)IL	
	-	
	-	

42138



LEGEND

42138-*(****)*

CRIMP STYLE
BLANK="A"
I="B"

FORM
BLANK=CHAIN
L=LOOSE

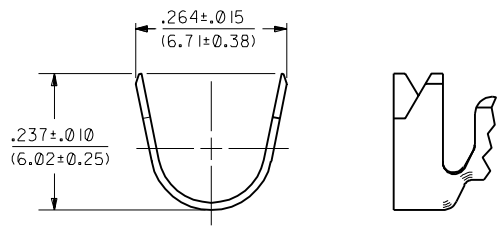
P=PREPLATE
BLANK=POSTPLATE

FINISH CODE

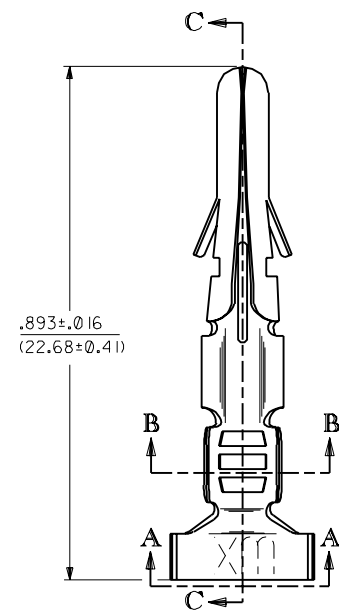
VIEW "A-A"
CRIMP STYLE "A"

SECTION "B-B"

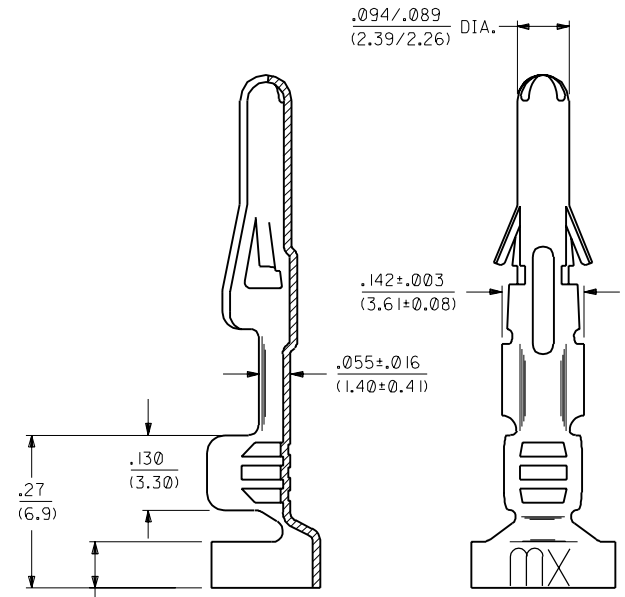
FINISHES, PER ES-88:
901 HOT TIN DIP .000020/(0.0005) MIN.



VIEW "A-A"
CRIMP STYLE "B"



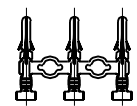
SECTION "C-C"



- NOTES:
- TERMINAL FOR USE WITH .093/(2.36) SERIES HOUSINGS AND WILL ACCEPT 14 THRU 18 AWG WIRE.
 - INSULATION CRIMP STYLE "A" ACCEPTS A MAX. INSULATION DIA. OF .180/(4.57). INSULATION CRIMP STYLE "B" IS INTENDED FOR DOUBLE CRIMP OF TWO 18 AWG WIRES; ONE WITH A MAX. INSULATION DIA. OF .170/(4.32), THE OTHER A MAX. INSULATION DIA. OF .110/(2.79).

MATERIAL:
CARTRIDGE BRASS, ALLOY #C26000,
.013/(0.33) THICK, SPRING TEMPER.

CHAIN FORM
FULL SCALE



H	OBSOLETE P/N UCR2002-0270 COMERCI 01/10/99
GI	REVISED EOR U3 0507 STAMBAUGH 99-2-9
G	REVISE PER EOR U3 0507 CXC 4/1/93 RW
F	REVISE PER EOR U3 0159 CXC 2/9/93 RW
E	REVISE PER EOR U2 0674 CXC 4/28/92 RW
D	REVISE & REDRAW PER EOR U2 0081 CXC 2/21/92 RW

DIMENSIONS SHOWN (METRIC) INCH UNLESS OTHERWISE SPECIFIED TOLERANCES ANGULAR ± 1/2°		MFG. SH. REV. LTR. REVISIONS																					
<table border="1"> <tr> <th>INCH</th> <th>METRIC</th> </tr> <tr> <td>3 PLACE ± .010</td> <td>---</td> </tr> <tr> <td>2 PLACE ± .014</td> <td>± 0.25</td> </tr> <tr> <td>1 PLACE ---</td> <td>± 0.35</td> </tr> </table>		INCH	METRIC	3 PLACE ± .010	---	2 PLACE ± .014	± 0.25	1 PLACE ---	± 0.35	<table border="1"> <tr> <td>▽ = 0</td> <td>▼ = 0</td> </tr> <tr> <td colspan="2">TITLE CRIMP TERMINAL, MALE .093/(2.36) DIA. 14-18 AWG W/LARGE INSUL.</td> </tr> <tr> <td>MOLEX INCORPORATED L15LEJLL 60532</td> <td>SHEET NO. DATE 1 of 1 2/21/92</td> </tr> <tr> <td>PART NO. SEE CHART</td> <td>DRWG. NO. SD-42138-*</td> </tr> <tr> <td>DRWL. BY: GXC</td> <td>CHK'D. BY: RW</td> </tr> <tr> <td>APP'D. BY: RS</td> <td>SCALE: 6 : 1</td> </tr> </table>		▽ = 0	▼ = 0	TITLE CRIMP TERMINAL, MALE .093/(2.36) DIA. 14-18 AWG W/LARGE INSUL.		MOLEX INCORPORATED L15LEJLL 60532	SHEET NO. DATE 1 of 1 2/21/92	PART NO. SEE CHART	DRWG. NO. SD-42138-*	DRWL. BY: GXC	CHK'D. BY: RW	APP'D. BY: RS	SCALE: 6 : 1
INCH	METRIC																						
3 PLACE ± .010	---																						
2 PLACE ± .014	± 0.25																						
1 PLACE ---	± 0.35																						
▽ = 0	▼ = 0																						
TITLE CRIMP TERMINAL, MALE .093/(2.36) DIA. 14-18 AWG W/LARGE INSUL.																							
MOLEX INCORPORATED L15LEJLL 60532	SHEET NO. DATE 1 of 1 2/21/92																						
PART NO. SEE CHART	DRWG. NO. SD-42138-*																						
DRWL. BY: GXC	CHK'D. BY: RW																						
APP'D. BY: RS	SCALE: 6 : 1																						
DRAFT WHERE APPLICABLE MUST REMAIN WITHIN DIMENSIONS		THIS DRAWING CONTAINS INFORMATION THAT IS PROPRIETARY TO MOLEX INC. AND SHOULD NOT BE USED WITHOUT WRITTEN PERMISSION.																					

42138