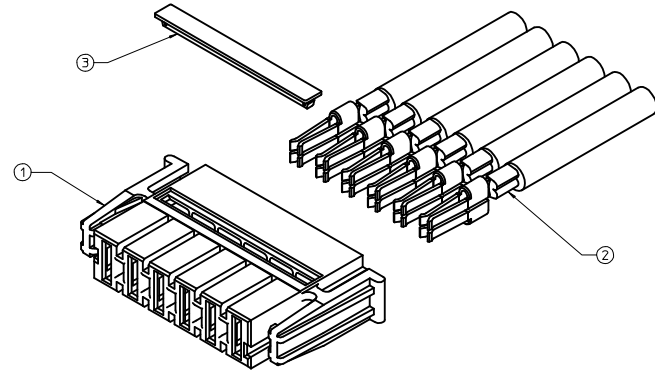
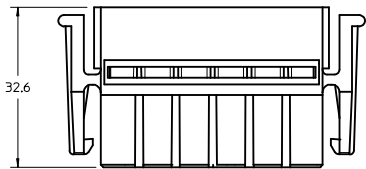


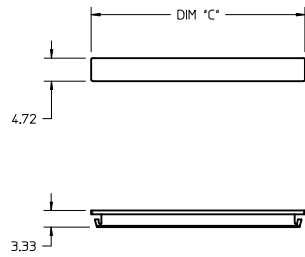
CKT SIZE	① MAIN HOUSING	② POWER TERMINAL	③ TPA	DIMENSION " A "	DIMENSION " B "	DIMENSION " C "
	MATERIAL: PBT, UNFILLED	MATERIAL: COPPER ALLOY FINISH: TIN OVER NICKEL W/SELECT GOLD	MATERIAL: PBT, FILLED			
2P	172509-0222	173693-****	46708-3200	15.32	32.66	13.65
3P	172509-0223	173693-****	46708-3300	22.82	40.16	21.15
4P	172509-0224	173693-****	46708-3400	30.32	47.66	28.65
5P	172509-0225	173693-****	46708-3500	37.82	55.16	36.15
6P	172509-0226	173693-****	46708-3600	45.32	62.66	43.65



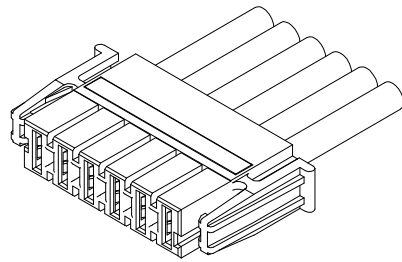
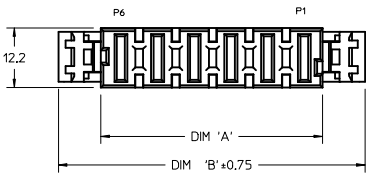
MAIN HOUSING



TPA



EXPLODED VIEW

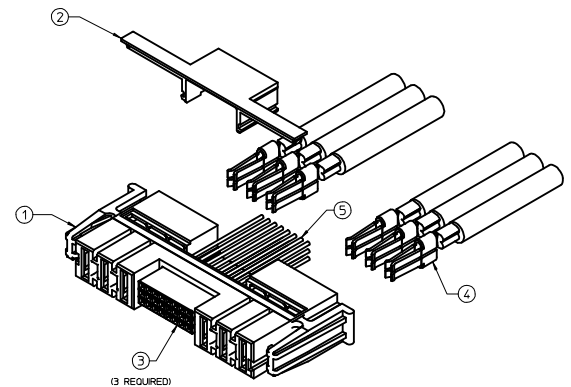


NOTES:

1. SEE CHART FOR MATERIAL DETAILS
2. PART MATES TO MOLEX PLUG SERIES 172452
3. ASSEMBLY SHOWN FOR REFERENCE ONLY. EACH ITEM HAS TO BE ORDERED SEPARATELY.
4. SEE SD-173693-001 FOR POWER TERMINAL DETAILS.

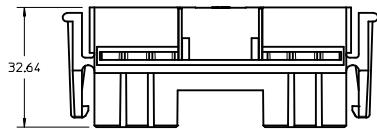
CHG TRML P/N IEC NO: UCP2016-4071 DRWN: JSCHAFFER 2016/04/18 CHYD: APPR: BPI SZCZOR 2016/10/03 REV:	QUALITY SYMBOLS	GENERAL TOLERANCES (UNLESS SPECIFIED)	DIMENSION STYLE	SCALE	DESIGN UNITS	THIRD ANGLE PROJECTION
	▽=0	4 PLACES ±--- ±---	MM ONLY	2:1	METRIC	ASSEMBLY
	▽=0	3 PLACES ±--- ±---	INCH			TEN60 POWER ONLY
	▽=0	2 PLACES ±0.13 ±---				2-6 CKTS
	1 PLACE ±0.25 ±---	ANGULAR ±1/2°	SEE CHART			molex
	0 PLACE ±--- ±---	DRAFT WHERE APPLICABLE MUST REMAIN WITHIN DIMENSIONS				DOCUMENT NO. SD-172509-001
			SIZE D			SHEET NO. 1 OF 1

M	CKT SIZE	①	②	③	④	⑤	DIMENSION 'A'	DIMENSION 'B'	DIMENSION 'C'	DIMENSION 'D'
		MAIN HOUSING	TPA	SIGNAL HOUSING	POWER TERMINAL	SIGNAL TERMINAL				
L	2P-12S	172510-3212 MATERIAL: UNFILLED PBT	46708-3212 MATERIAL: FILLED PBT	46709-0004 MATERIAL: UNFILLED NYLON	173693-**** MATERIAL: COPPER ALLOY FINISH: TIN OVER NICKEL W/ SELECT GOLD	70058-**** MATERIAL: PHOS BRONZE FINISH: TIN OVER NICKEL W/ SELECT GOLD	45.76	28.4	26.48	10.67
	2P-18S	172510-3218	46708-3218	46709-0006	173693-****	70058-****	50.84	33.5	31.80	15.75
	2P-24S	172510-3224	46708-3224	46709-0008	173693-****	70058-****	55.92	38.6	36.85	20.83
K	4P-12S	172510-3412	46708-3412	46709-0004	173693-****	70058-****	60.76	43.4	41.48	10.67
	4P-18S	172510-3418	46708-3418	46709-0006	173693-****	70058-****	65.84	48.5	46.80	15.75
J	4P-24S	172510-3424	46708-3424	46709-0008	173693-****	70058-****	70.92	53.6	51.85	20.83
	6P-12S	172510-3612	46708-3612	46709-0004	173693-****	70058-****	75.76	58.4	56.48	10.67
	6P-18S	172510-3618	46708-3618	46709-0006	173693-****	70058-****	80.84	63.5	61.85	15.75
I	6P-24S	172510-3624	46708-3624	46709-0008	173693-****	70058-****	85.92	68.6	66.93	20.83

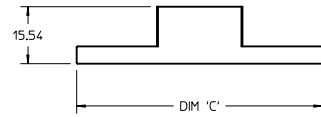


EXPLODED VIEW

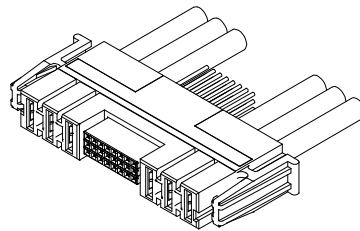
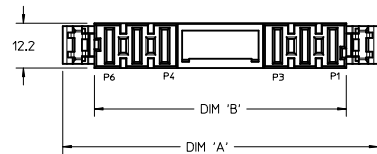
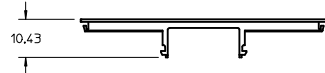
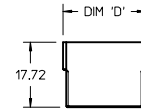
MAIN HOUSING



TPA



SIGNAL HOUSING

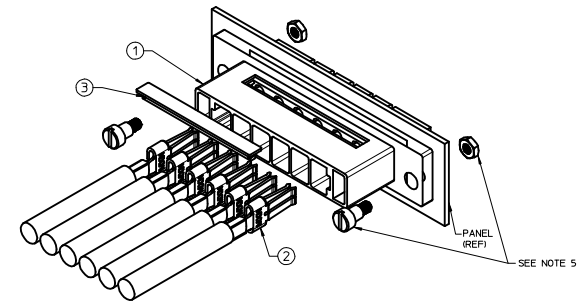


NOTES:

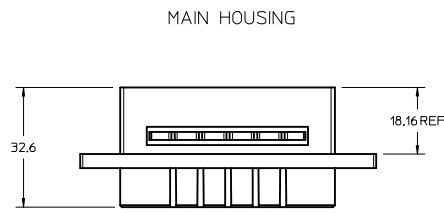
1. SEE CHART FOR MATERIAL DETAILS
2. PART MATES TO MOLEX PLUG SERIES 172453
3. ASSEMBLY SHOWN FOR REFERENCE ONLY. EACH ITEM HAS TO BE ORDERED SEPARATELY.
4. SEE SD-173693-001 FOR POWER TERMINAL DETAILS
5. SEE SD-70058-*** FOR SIGNAL TERMINAL DETAILS

CHG TRML P/N EEC NO: UCP2016-4071 DRAWN: JSCHAFFER 2016/04/18 CHKD: APPR: BPISZCZOR 2016/10/03	QUALITY SYMBOLS ▽=0 ▽=0 ▽=0	GENERAL TOLERANCES (UNLESS SPECIFIED)		DIMENSION STYLE MM ONLY		SCALE 1.5:1	DESIGN UNITS METRIC	THIRD ANGLE PROJECTION	
		4 PLACES ±--- ±--- 3 PLACES ±--- ±--- 2 PLACES ±0.13 ±--- 1 PLACE ±0.25 ±--- 0 PLACE ±--- ±---	mm INCH	DRAWN BY JSCHAFFER	DATE 2014/02/17	CHECKED BY	DATE	TITLE TEN60 WIRE TO BOARD POWER / SIGNAL MIX	
DRAFT WHERE APPLICABLE MUST REMAIN WITHIN DIMENSIONS		ANGULAR ±1/2°		APPROVED BY BPISZCZOR		DATE 2016/10/03	MATERIAL NO. SD-172510-001		
SIZE D		SEE CHART		DOCUMENT NO.		SHEET NO. 1 OF 1			

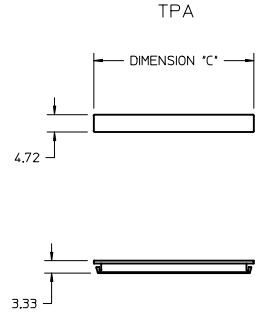
CKT SIZE	① MAIN HOUSING	② POWER TERMINAL	③ TPA	DIMENSION 'A'	DIMENSION 'B'	DIMENSION 'C'	DIMENSION 'D'
	MATERIAL: PBT, FILLED	MATERIAL: COPPER ALLOY FINISH: TIN OVER NICKEL W/ SELECT GOLD	MATERIAL: PBT, FILLED				
2P	172511-0002	173693-****	46708-3200	50,71	41,91	13,65	30,48
3P	172511-0003	173693-****	46708-3300	58,21	49,41	21,15	37,98
4P	172511-0004	173693-****	46708-3400	65,71	56,91	28,65	45,48
5P	172511-0005	173693-****	46708-3500	73,21	64,41	36,15	52,98
6P	172511-0006	173693-****	46708-3600	80,71	71,91	43,65	60,48



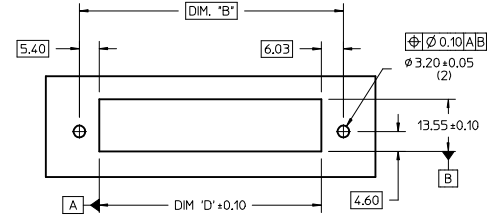
EXPLODED VIEW



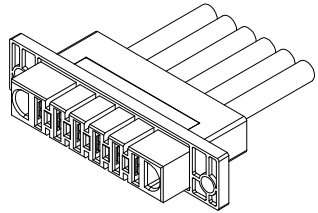
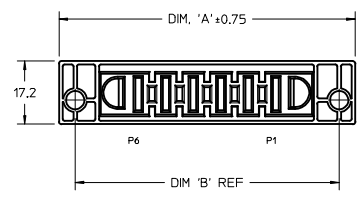
MAIN HOUSING



TPA



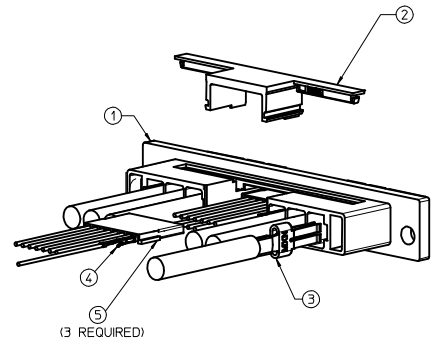
PANEL CUTOUT
(FRONT VIEW)



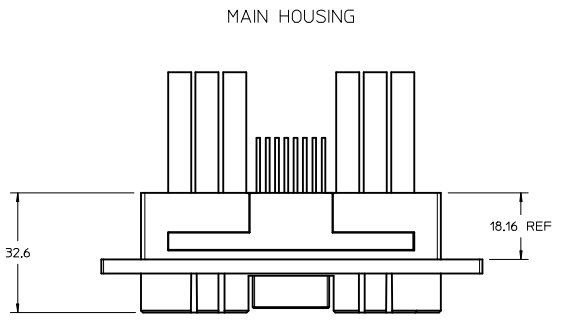
- NOTES:
- SEE CHART FOR MATERIAL DETAILS.
 - PART MATES TO MOLEX PLUG SERIES 172457.
 - ASSEMBLY SHOWN FOR REFERENCE ONLY. EACH ITEM HAS TO BE ORDERED SEPARATELY.
 - SEE SD-173693-001 FOR POWER TERMINAL DETAILS.
 - PANEL MOUNTING HARDWARE: (2) M3 X 0.5 X 4.00 LG PRECISION SHOULDER SCREWS AND (2)M3 X 0.5 HEX NUTS TO BE PURCHASED SEPARATELY BY CUSTOMER.

CHG TRML P/N EC NO: UCP2016-4071 DRWN: JSCHAFFER 2016/04/18 CHKD: APPR: BPSZCZOR 2016/10/03	QUALITY SYMBOLS ▽=0 ▽=0 ▽=0	GENERAL TOLERANCES (UNLESS SPECIFIED)	DIMENSION STYLE MM ONLY	SCALE 1.5:1	DESIGN UNITS METRIC	THIRD ANGLE PROJECTION
		4 PLACES ±0.10 3 PLACES ±0.13 2 PLACES ±0.25 0 PLACE ±0.25	mm INCH	DRAWN BY JSCHAFFER	DATE 2014/01/22	TITLE TEN60 RECEPTACLE ASSY 2-6 CIRCUIT PANEL TO BOARD
		ANGULAR ±1/2° DRAFT WHERE APPLICABLE MUST REMAIN WITHIN DIMENSIONS	APPROVED BY BPSZCZOR	DATE 2016/10/03	molex	DOCUMENT NO. SD-172511-001
			MATERIAL NO. SEE CHART			SHEET NO. 1 OF 1

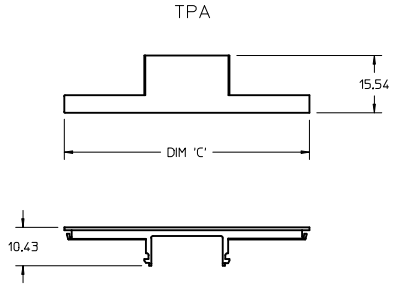
CKT SIZE	① HOUSING	② TPA	③ POWER TERMINAL	④ SIGNAL TERMINAL	⑤ SIGNAL HOUSING (3 OF EA REQ'D)	DIMENSION 'A'	DIMENSION 'B'	DIMENSION 'C'	DIMENSION 'D'	DIMENSION 'E'
	MATERIAL: PBT, FILLED	MATERIAL: PBT, FILLED	MATERIAL: COPPER ALLOY FINISH: TIN OVER NICKEL W/SELECT GOLD	MATERIAL: PHOS. BRONZE FINISH: TIN OVER NICKEL W/SELECT GOLD	MATERIAL: NYLON, UNFILLED					
2P-12S	172512-3212	46708-3212	173693-****	70058-****	46709-0004	63.81	55.01	26.48	12.37	43.74
2P-18S	172512-3218	46708-3218	173693-****	70058-****	46709-0006	68.89	60.09	31.80	17.44	48.82
2P-24S	172512-3224	46708-3224	173693-****	70058-****	46709-0008	73.97	65.17	36.85	22.53	53.90
4P-12S	172512-3412	46708-3412	173693-****	70058-****	46709-0004	78.81	70.01	41.48	12.37	58.74
4P-18S	172512-3418	46708-3418	173693-****	70058-****	46709-0006	83.89	75.09	46.80	17.44	63.82
4P-24S	172512-3424	46708-3424	173693-****	70058-****	46709-0008	88.97	80.17	51.85	22.53	68.90
6P-12S	172512-3612	46708-3612	173693-****	70058-****	46709-0004	93.81	85.01	55.73	12.37	73.74
6P-18S	172512-3618	46708-3618	173693-****	70058-****	46709-0006	98.89	90.09	61.85	17.44	78.82
6P-24S	172512-3624	46708-3624	173693-****	70058-****	46709-0008	103.97	95.17	66.93	22.53	83.90



EXPLODED VIEW

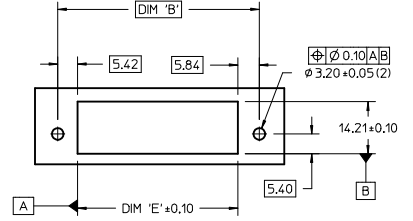
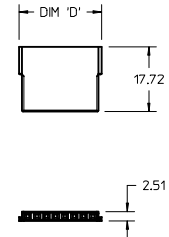


MAIN HOUSING

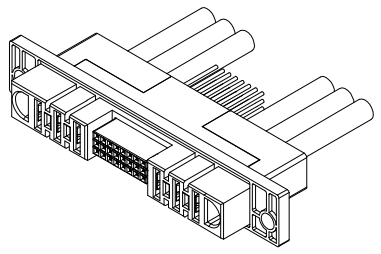
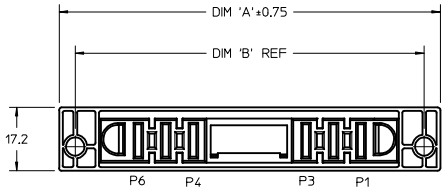


TPA

SIGNAL HOUSING



PANEL CUTOUT
(FRONT VIEW)



- NOTES:
- SEE CHART FOR MATERIAL DETAILS
 - PART MATES TO MOLEX PLUG SERIES 172458.
 - ASSEMBLY SHOWN FOR REFERENCE ONLY. EACH ITEM HAS TO BE ORDERED SEPARATELY.
 - PANEL MOUNTING HARDWARE: (2) M3 X 0.5 X 4.00 LG PRECISION SHOULDER SCREWS AND (2) M3 X 0.5 HEX NUTS TO BE PURCHASED SEPARATELY BY CUSTOMER.
 - SEE SD-173693-001 FOR POWER TERMINAL DETAILS.
 - SEE SD-70058-*** FOR SIGNAL TERMINAL DETAILS.

CHG TRMNL P/N EC NO: UCP2016-4071 DRAWN: JSCHAER 2016/04/18 CHKD: APPR: BPISZCZOR 2016/10/03	QUALITY SYMBOLS	GENERAL TOLERANCES (UNLESS SPECIFIED)	DIMENSION STYLE	SCALE	DESIGN UNITS	THIRD ANGLE PROJECTION	
	$\nabla=0$ $\nabla=0$ $\nabla=0$	mm INCH 4 PLACES ± --- ± --- 3 PLACES ± --- ± --- 2 PLACES ± 0.13 ± --- 1 PLACE ± 0.25 ± --- 0 PLACE ± --- ± ---	MM ONLY	1.5:1	METRIC		
	DRAFT WHERE APPLICABLE MUST REMAIN WITHIN DIMENSIONS	ANGULAR ±1/2° DRAFT WHERE APPLICABLE MUST REMAIN WITHIN DIMENSIONS	DRAWN BY DATE JSCHAER 2014/01/24 CHECKED BY DATE APPROVED BY DATE BPISZCZOR 2016/10/03	TITLE TEN60 RECEIPT ASSY POWER/SIGNAL MIXED PANEL-TO-BOARD molex	MATERIAL NO. SEE CHART	DOCUMENT NO. SD-172512-001	SHEET NO. 1 OF 1
	THIS DRAWING CONTAINS INFORMATION THAT IS PROPRIETARY TO MOLEX INCORPORATED AND SHOULD NOT BE USED WITHOUT WRITTEN PERMISSION						